



**AiM Infotech**

# AiM MXS 1.2 Strada Dash

**Release 1.03**



Standard version



Street icons version





# AiM MXS 1.2 Strada

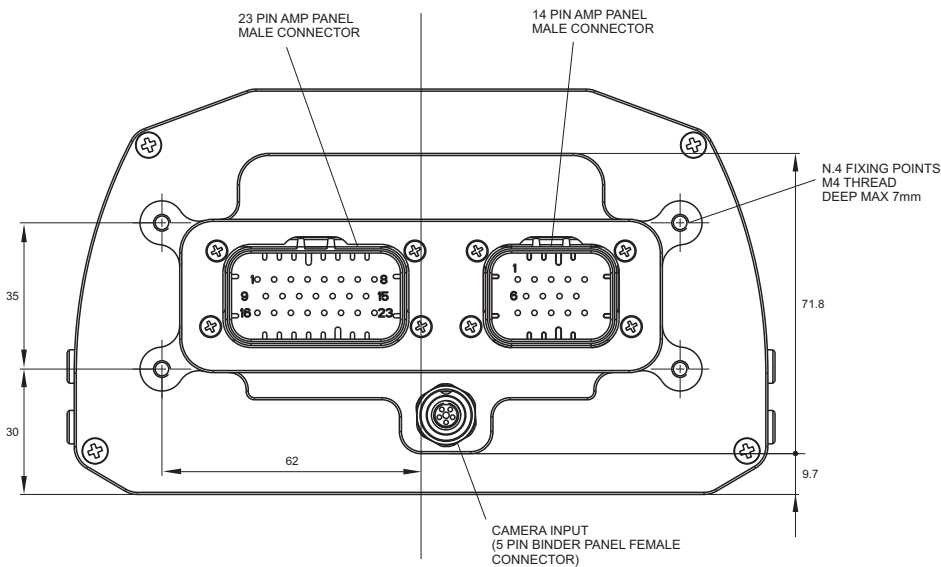
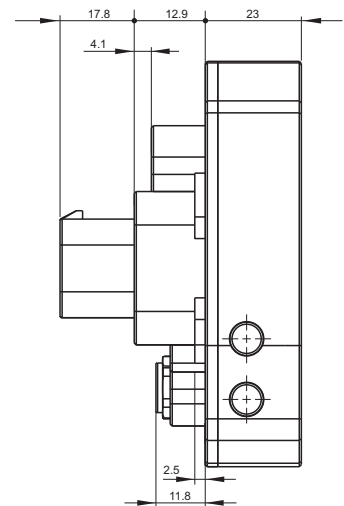
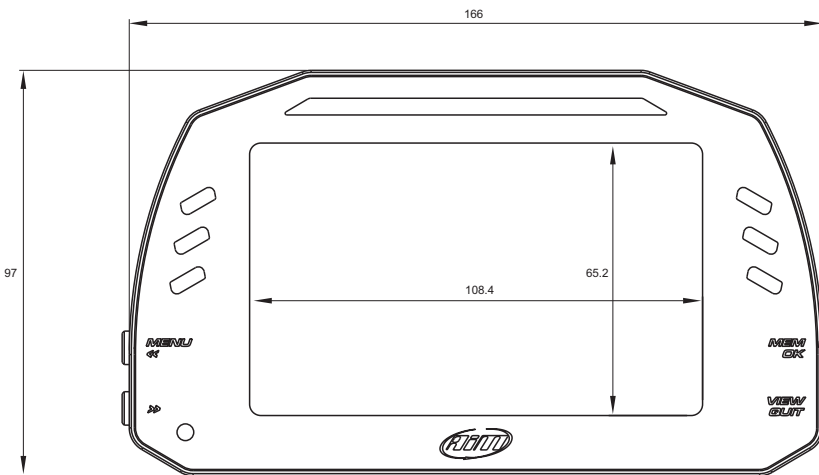
## Dash



Standard version



Street icons version





# AiM MXS 1.2 Strada

## Dash

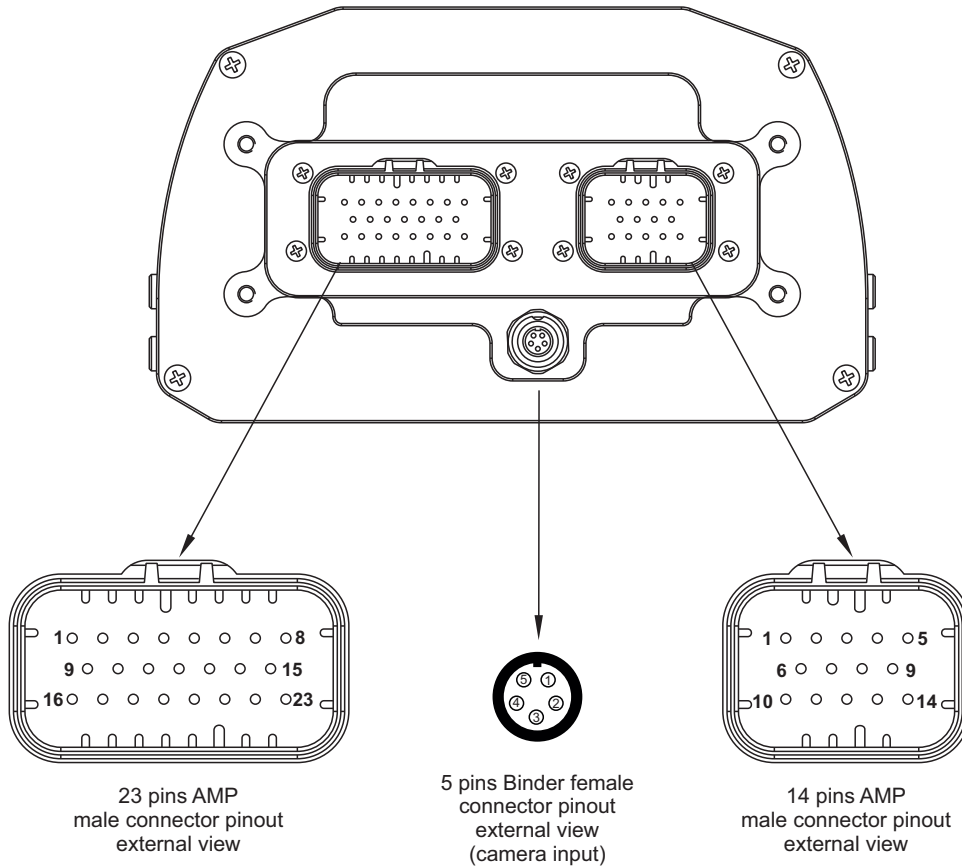
### Technical specifications

<b>Display</b>	5" TFT
<b>Resolution</b>	800x480 pixels
<b>Contrast</b>	600:1
<b>Brightness</b>	700cd/m2 - 1,100 Lumen
<b>Ambient light sensor</b>	Yes
<b>Alarm LEDs</b>	6 configurable RGB LEDs
<b>Shift Lights</b>	10 configurable RGB LEDs
<b>CAN connections</b>	2
<b>ECU connection</b>	CAN, RS232 or K-Line to 1,000+ industry leading ECUs
<b>External modules</b>	GPS Module, Channel Expansion, TC Hub, Lambda Controller, SmartyCam HD
<b>Analog inputs</b>	8 fully configurable, max 1,000 Hz each
<b>Digital inputs</b>	1 Speed input, coil RPM input
<b>Digital outputs</b>	1 (1 Amp max)
<b>Second CAN</b>	Yes
<b>Body</b>	Anodized Aluminum
<b>Pushbuttons</b>	Metallic
<b>Connectors</b>	2 AMP connectors
<b>Dimensions</b>	169.4x97x23 mm
<b>Weight</b>	480 g
<b>Power consumption</b>	400 mA
<b>Waterproof</b>	IP65

### Part numbers

<b>XA3MXSST12A010</b>	MXS 1.2 Strada with CAN harness (ECU)
<b>XA3MXSST12A020</b>	MXS 1.2 Strada with OBD harness CAN+K (ECU)
<b>XA3MXSST12I010</b>	MXS 1.2 Strada Street icons version with CAN harness (ECU)
<b>XA3MXSST12I020</b>	MXS 1.2 Strada Street icons version with OBD harness CAN+K (ECU)
<b>V02573320</b>	ECU CAN harness for MXS 1.2 Strada
<b>V02573340</b>	OBD harness for MXS 1.2 Strada
<b>V02573330</b>	23 pins AMP connector harness for MXS 1.2 Strada - Standard version (optional)

### Pinout



Pin	Function
1	Analog input 1
2	GND input
3	+Vb output
4	+Vreference
5	Analog input 2
6	Analog input 3
7	GND input
8	+Vb output
9	+Vreference
10	Analog input 4
11	Analog input 5
12	GND input
13	+Vreference
14	Analog input 6
15	Analog input 7
16	+Vreference
17	Analog input 8
18	Speed input
19	GND
20	LS out digit
21	RPM input
22	CAN 2+
23	CAN 2-

Pin	Function
1	Video input 1
2	GND
3	+Vb output camera
4	GND
5	Video input 2

Pin	Function
1	9-15v Power input
2	Battery GND
3	CAN+ Exp
4	GND
5	+Vb output CAN
6	CAN- Exp
7	+Vb Ext CAN
8	CAN1+/RS232TX ECU
9	CAN1-/RS232RX ECU
10	K Line ECU
11	USB D+
12	USB D-
13	USB GND
14	Reserved