



AiM Infotech

# AiM MXP TFT Dash Logger

Release 1.02

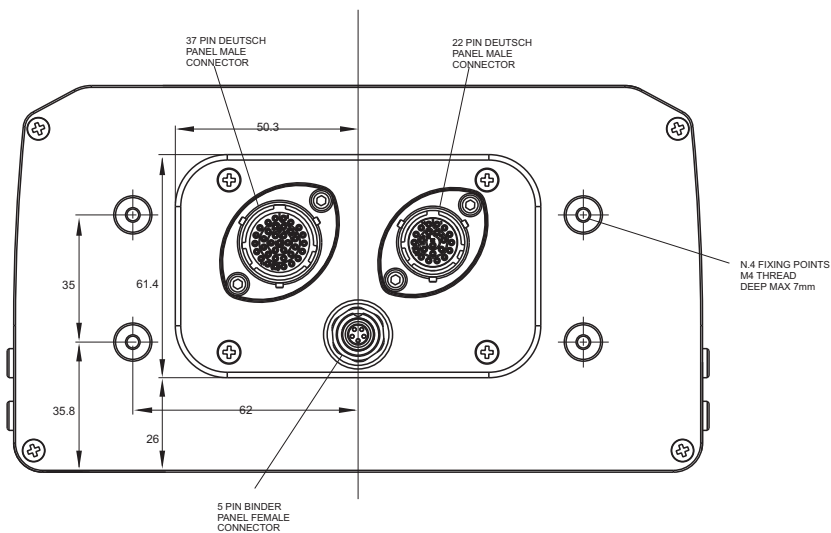
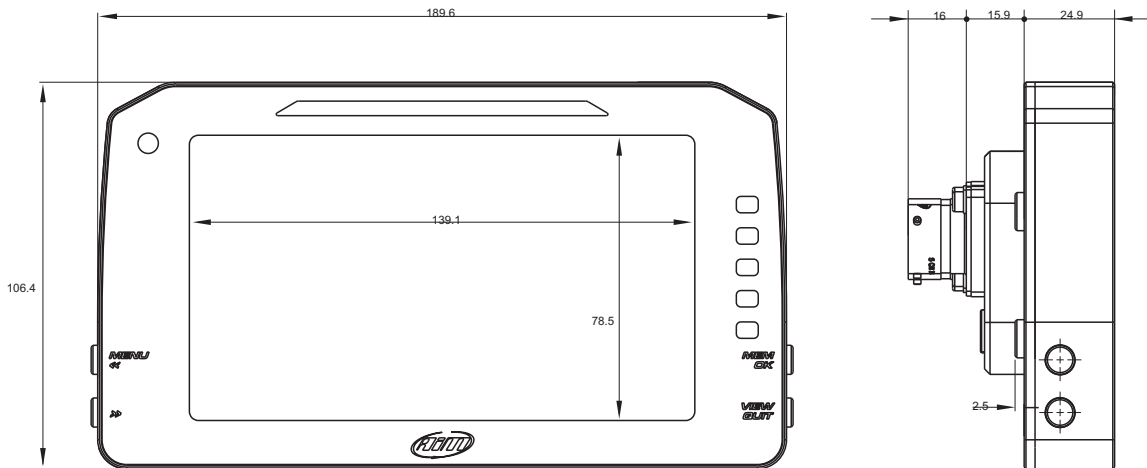
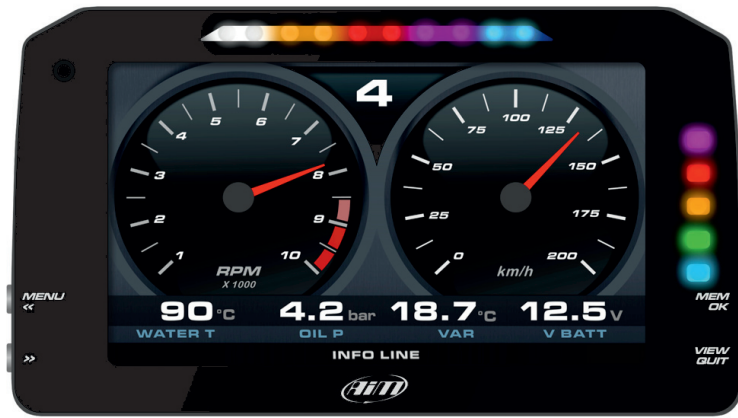
---





# AiM MXP

## TFT Dash Logger





# AiM MXP

## TFT Dash Logger

### Technical specifications

<b>Display</b>	6" TFT
<b>Resolution</b>	800x480 pixels
<b>Contrast</b>	600:1
<b>Brightness</b>	700cd/m <sup>2</sup> - 1,100 Lumen
<b>Ambient light sensor</b>	Yes
<b>Alarm display icons</b>	Yes, freely configurable
<b>Shift Lights</b>	10 configurable RGB LEDs
<b>Alarm LEDs</b>	5 configurable RGB LEDs
<b>CAN connections</b>	3
<b>ECU connection</b>	CAN, RS232 or K-Line to 1,000+ industry leading ECUs
<b>ECU compatibility</b>	1,000+ industry leading ECUs
<b>Expansion CAN connection</b>	GPS Module, Channel Expansion, TC Hub, Lambda Controller, SmartyCam HD
<b>Analog inputs</b>	8 fully configurable, max 1,000 Hz each
<b>Digital inputs</b>	4 Speed inputs, lap signal, coil RPM input
<b>Digital outputs</b>	2 (1 A max each)
<b>Second CAN</b>	Yes
<b>Wi-Fi connection</b>	Yes
<b>Inertial platform</b>	Internal 3 axis $\pm 5G$ accelerometer + 3 axis gyro + 3 axis magnetometer
<b>Internal memory</b>	4 GB
<b>Body</b>	Anodized Aluminum
<b>Pushbuttons</b>	Metallic
<b>Connectors</b>	2 Motorsport connectors + 1 Binder connector
<b>Dimensions</b>	189.6 x 106.4 x 24.9 mm
<b>Weight</b>	640 g
<b>Power consumption</b>	400 mA
<b>Waterproof</b>	IP65

### Part numbers

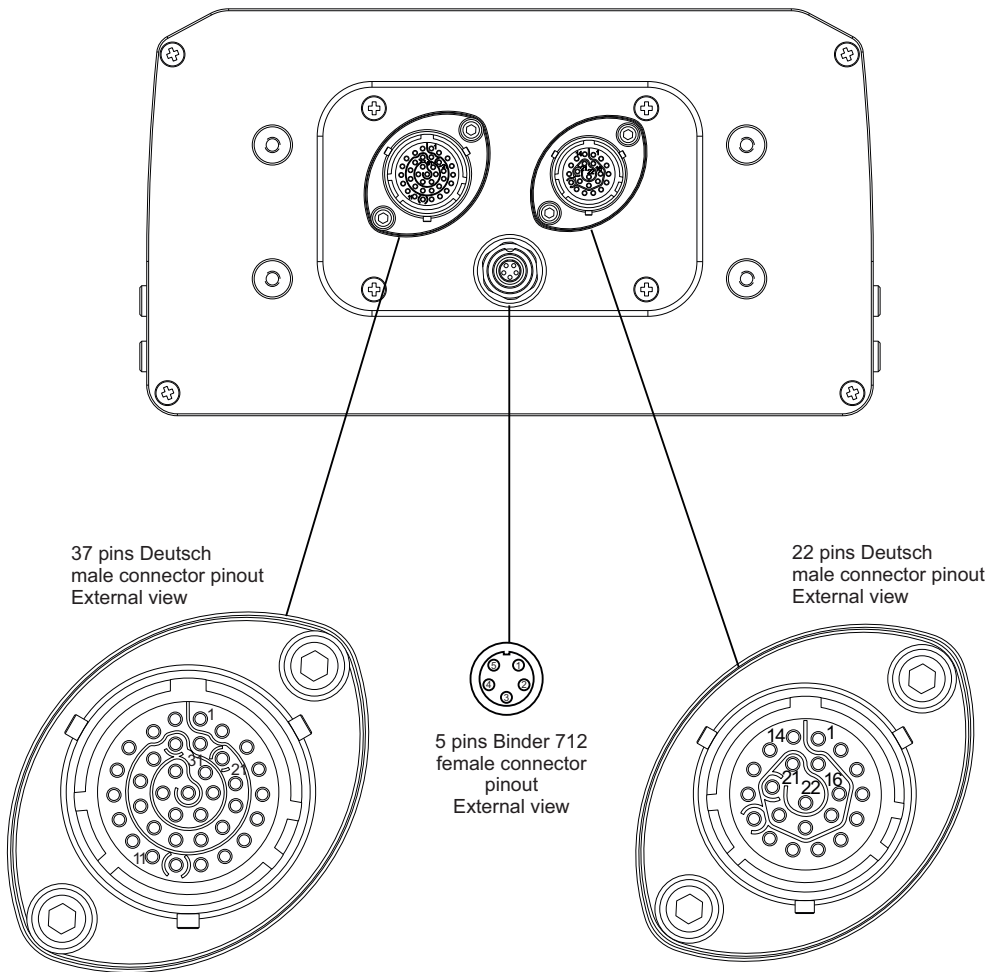
<b>XA6MXPA13G1</b>	MXP + 1.3 m GPS Module + 37 pins standard harness
<b>XA6MXPA20G1</b>	MXP + 2 m GPS Module + 37 pins standard harness
<b>XA6MXPA40G1</b>	MXP + 4 m GPS Module + 37 pins standard harness
<b>XA6MXPA20R1</b>	MXP + 2 m GPS Module «roof» version + 37 pins standard harness
<b>XA6MXPA40R1</b>	MXP + 4 m GPS Module «roof» version + 37 pins standard harness



# AiM MXP

## TFT Dash Logger

### Pinout



Pin	Deutsch 37 pin
1	9-15V Power input
2	Battery GND
3	CAN+ Exp
4	GND
5	+Vbattery CAN
6	CAN- Exp
7	+Vb Ext
8	CAN1+ ECU
9	CAN 1- ECU
10	GND
11	K Line ECU
12	USB D+
13	USB D-
14	GND
15	RPM
16	GND
17	+Vbattery
18	Optical Lap
19	Speed1

Pin	Deutsch 37 pin
20	GND
21	+Vbattery
22	Analog Input 1
23	Analog GND
24	+Vbattery
25	+Vreference
26	Analog Input 2
27	Analog GND
28	+Vbattery
29	+Vreference
30	Analog Input 3
31	Analog GND
32	+Vbattery
33	+Vreference
34	Analog Input 4
35	Analog GND
36	+Vbattery
37	+Vreference

Pin	Binder
1	Video input 1
2	GND
3	+Vb output Camera
4	GND
5	Video input 2

Pin	Deutsch 22 pin
1	Analog Input 5
2	Analog GND
3	+Vbattery
4	+Vreference
5	Analog Input 6
6	Analog Input 7
7	Analog GND
8	+Vbattery
9	+Vreference
10	Analog Input 8
11	Speed 2
12	GND
13	+Vbattery
14	Speed 3
15	Speed 4
16	GND
17	CAN2+ ECU
18	CAN2- ECU
19	Digital output 1
20	Digital output 2
21	ECU RS232 Tx
22	ECU RS232 Rx