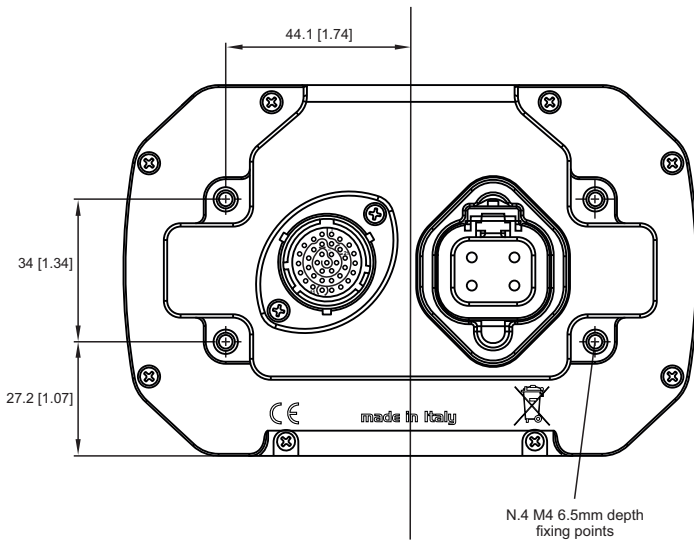
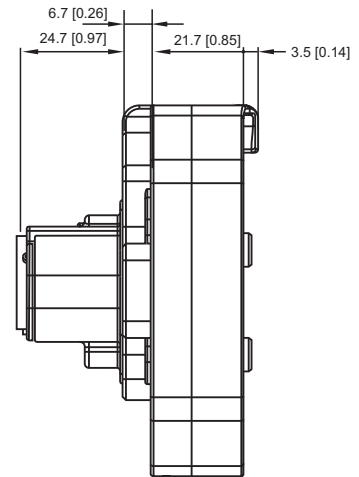
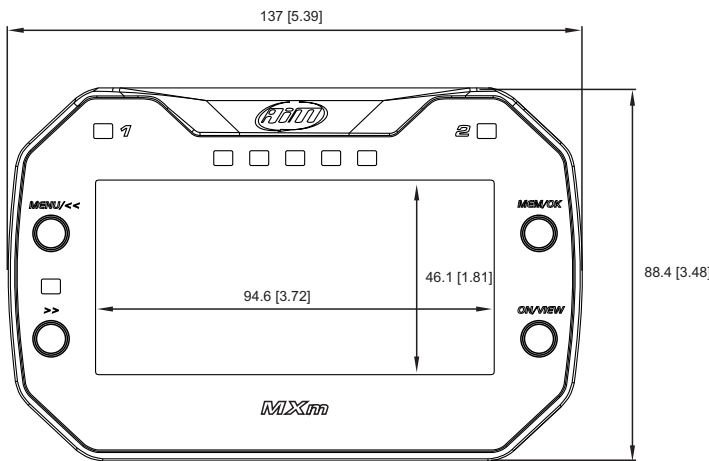




AiM MXm

Dash logger



N.4 M4 6.5mm depth fixing points



AiM MXm

Dash logger

Technical specifications

Display resolution	268 x 128 pixels
Backlight	7 configurable RGB colors
Ambient Light sensor	Yes
Shift Lights	5 configurable RGB LEDs
Alarm LEDs	2 configurable RGB LEDs
CAN connections	2
ECU connection	CAN, RS232 or K-Line to 1,000+ industry leading ECUs
GPS	Integrated
External modules	Lambda Controller, SmartyCam HD
Analog inputs	4 fully configurable, max 1,000 Hz each
Digital inputs	2 speed inputs, coil RPM input
Digital outputs	2 high-side
Inertial platform	Internal 3 axis $\pm 5G$ accelerometer + 3 axis gyro + 3 axis magnetometer
WiFi connection	Yes
Internal memory	4 GB
Body	Glass fiber reinforced Nylon
Pushbuttons	Metallic
Connectors	37 pins Motorsport connector + 4 pins power connector
Dimensions	137 x 88.4 x 31.9 mm
Weight	330 g
Waterproof	IP65

In the box

MXm, USB cable, 37 pins connector harness, DTP 06-4S EE01 4 pins connector with pins, Race Studio 3 software, user manual

Part number

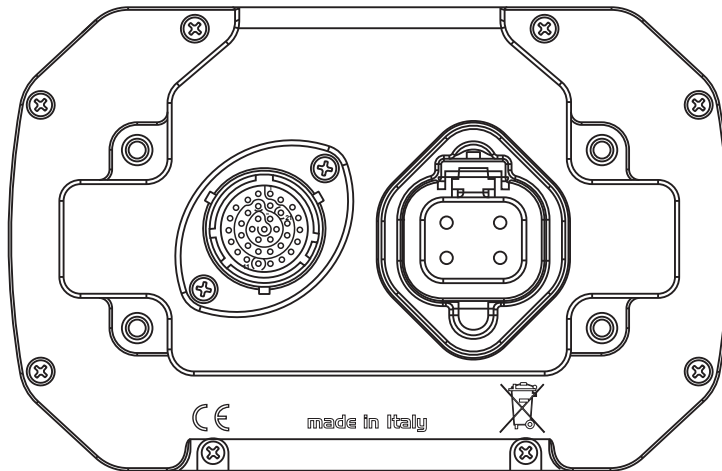
X87MXM0000 MXm



AiM MXm

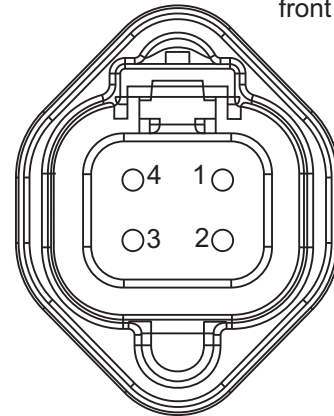
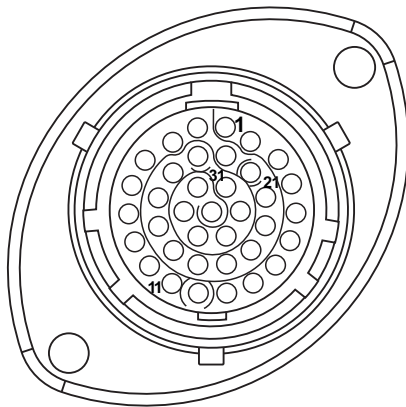
Dash logger

Pinout



37 pins Motorsport male connector front view

4 pins power male connector front view



Pin	Pin function
1	9-15V Power input
2	Battery Ground
3	CAN+ Exp
4	Ground
5	+Vbattery CAN
6	CAN- exp
7	+Vbext
8	CAN1+/ECU RS232TX
9	CAN1-/ECU RS232RX
10	Ground
11	ECU K-Line
12	USB D+
13	USB D-
14	Ground
15	RPM
16	Ground
17	+Vbattery
18	Speed2
19	Speed1

Pin	Pin function
20	Ground
21	+Vbattery
22	Analog Input 1
23	Analog GND
24	+Vbattery
25	+Vreference
26	Analog Input 2
27	Analog GND
28	+Vbattery
29	+Vreference
30	Analog Input 3
31	Analog GND
32	+Vbattery
33	+Vreference
34	Analog Input 4
35	Analog GND
36	+Vbattery
37	+Vreference

Pin	Pin function
1	High side output 2
2	9-15V power input
3	9-15V power input
4	High side output1