



AIMSHOP.COM



• LAP TIMERS • LOGGERS • CAMERAS • DASHES • SENSORS • AND MORE

SHOP NOW

AiM Infotech

AiM MXm  
Dash logger

Release 1.01

---



VISIT SUPPORT CENTER

SOFTWARE DOWNLOADS

FIRMWARE UPDATES

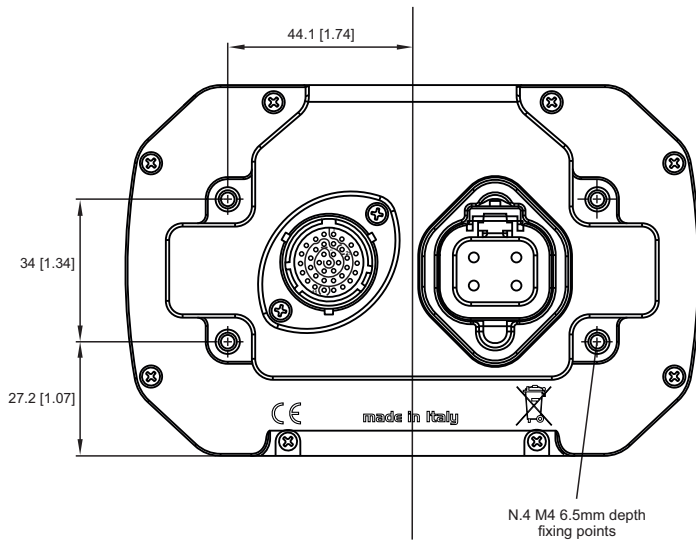
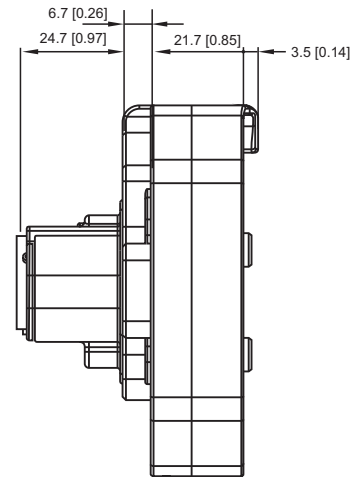
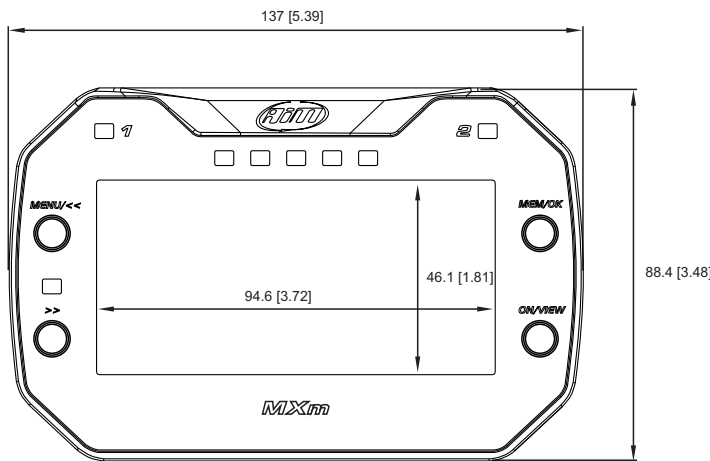
PRODUCT DOCUMENTATION





# AiM MXm

Dash logger





# AiM MXm

## Dash logger

### Technical specifications

<b>Display resolution</b>	268 x 128 pixels
<b>Backlight</b>	7 configurable RGB colors
<b>Ambient Light sensor</b>	Yes
<b>Shift Lights</b>	5 configurable RGB LEDs
<b>Alarm LEDs</b>	2 configurable RGB LEDs
<b>CAN connections</b>	2
<b>ECU connection</b>	CAN, RS232 or K-Line to 1,000+ industry leading ECUs
<b>GPS</b>	Integrated
<b>External modules</b>	Lambda Controller, SmartyCam HD
<b>Analog inputs</b>	4 fully configurable, max 1,000 Hz each
<b>Digital inputs</b>	2 speed inputs, coil RPM input
<b>Digital outputs</b>	2 high-side
<b>Inertial platform</b>	Internal 3 axis $\pm 5G$ accelerometer + 3 axis gyro + 3 axis magnetometer
<b>WiFi connection</b>	Yes
<b>Internal memory</b>	4 GB
<b>Body</b>	Glass fiber reinforced Nylon
<b>Pushbuttons</b>	Metallic
<b>Connectors</b>	37 pins Motorsport connector + 4 pins power connector
<b>Dimensions</b>	137 x 88.4 x 31.9 mm
<b>Weight</b>	330 g
<b>Waterproof</b>	IP65

### In the box

MXm, USB cable, 37 pins connector harness, DTP 06-4S EE01 4 pins connector with pins, Race Studio 3 software, user manual

### Part number

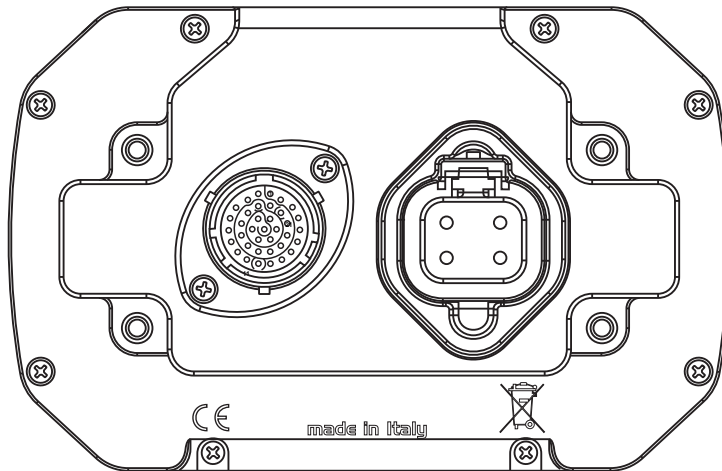
**X87MXM0000**      MXm



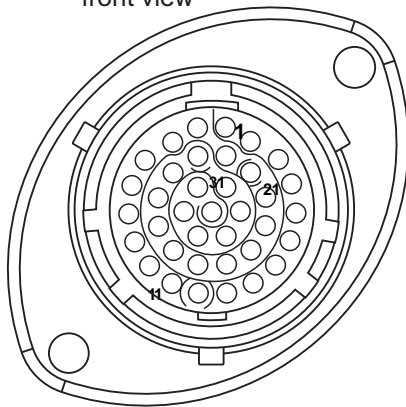
# AiM MXm

Dash logger

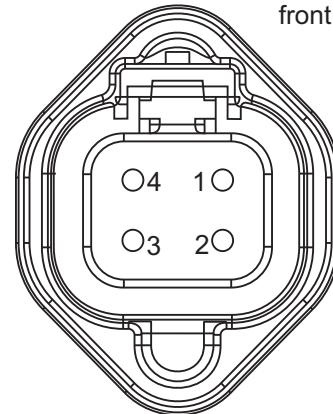
## Pinout



37 pins Motorsport male connector front view



4 pins power male connector front view



Pin	Pin function
1	9-15V Power input
2	Battery Ground
3	CAN+ Exp
4	Ground
5	+Vbattery CAN
6	CAN- exp
7	+Vbext
8	CAN1+ ECU/RS232TX
9	CAN1- ECU/RS232RX
10	Ground
11	ECU K-Line
12	USB D+
13	USB D-
14	Ground
15	RPM
16	Ground
17	+Vbattery
18	Speed2
19	Speed1

Pin	Pin function
20	Ground
21	+Vbattery
22	Analog Input 1
23	Analog GND
24	+Vbattery
25	+Vreference
26	Analog Input 2
27	Analog GND
28	+Vbattery
29	+Vreference
30	Analog Input 3
31	Analog GND
32	+Vbattery
33	+Vreference
34	Analog Input 4
35	Analog GND
36	+Vbattery
37	+Vreference

Pin	Pin function
1	High side output 2
2	9-15V power input
3	9-15V power input
4	High side output1