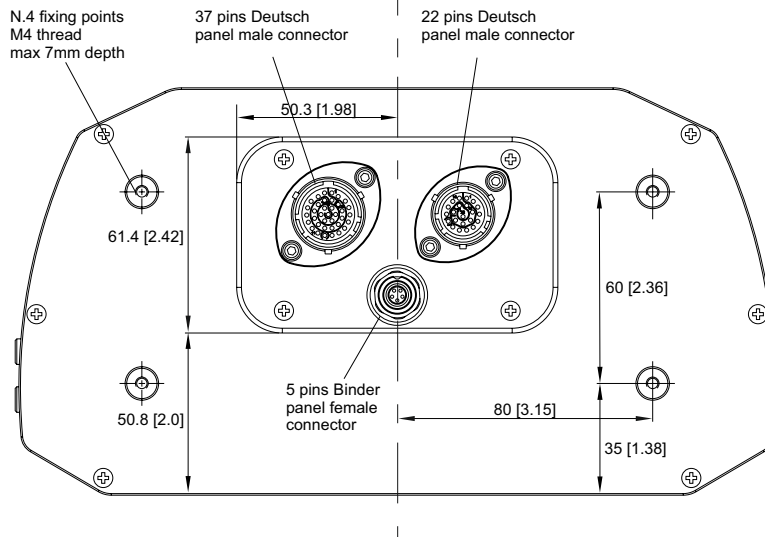
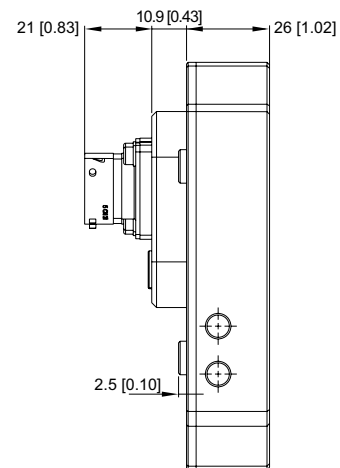
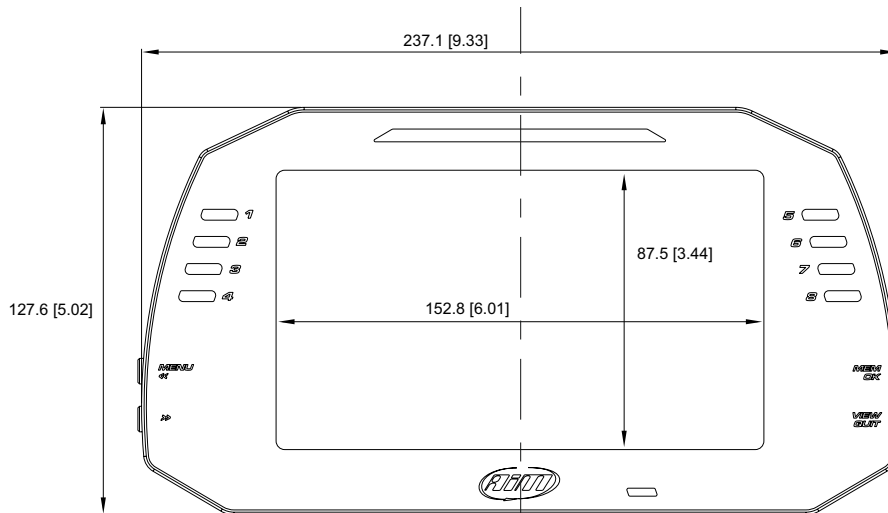
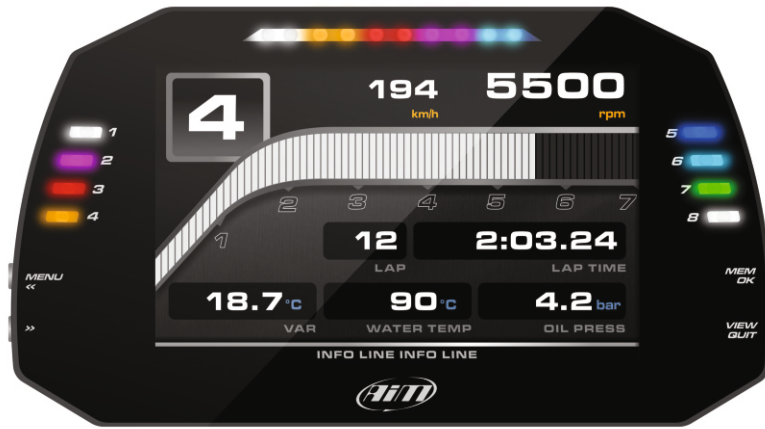




AiM MXG 1.3

Dash logger





AiM MXG 1.3

Dash logger

Technical specifications

| | |
|-----------------------------|--|
| Display | 7" TFT |
| Resolution | 800x480 pixels |
| Contrast | 1000:1 |
| Brightness | 700cd/m2 - 1,100 Lumen |
| Ambient light sensor | Yes |
| Alarm display icons | Yes, freely configurable |
| Alarm LEDs | 8 configurable RGB LEDs |
| Shift Lights | 10 configurable RGB LEDs |
| CAN connections | 3 |
| ECU connection | CAN, RS232 or K-Line to 1,000+ industry leading ECUs |
| External modules | GPS Module, Channel Expansion, TC Hub (necessary to connect thermocouple sensors), Lambda Controller, SmartyCam HD |
| Analog inputs | 8 fully configurable, max 500 Hz each |
| Digital inputs | 4 Speed inputs, lap signal, coil RPM input |
| Digital outputs | 2 (1 A max each) |
| Second CAN | Yes |
| Wi-Fi connection | Yes |
| Internal memory | 4 GB |
| Body | Anodized Aluminum |
| Pushbuttons | Metallic |
| Connectors | 2 Motorsport connectors + 1 Binder connector |
| Dimensions | 237x127.6x26 mm |
| Weight | 950 g |
| Power consumption | 400 mA |
| Waterproof | IP65 |



AiM MXG 1.3

Dash logger

In the box

MXG 1.3, GPS Module with cable, USB cable, 37 pins standard harness, Race Studio 3 software

Part numbers

| | |
|-----------------------|---|
| XA4MXG12A13001 | MXG 1.3 + GPS Module with 1.3 m cable length |
| XA4MXG12A40001 | MXG 1.3 + GPS Module with 4 m cable length |
| XA4MXG12A20R01 | MXG 1.3 + GPS Module «roof» version with 2 m cable length |
| XA4MXG12A40R01 | MXG 1.3 + GPS Module «roof» version with 4 m cable length |

Spare parts

| | |
|-----------------------|-------------------------------------|
| V02573010 | 37 pins standard harness |
| X40GPS08AM0130 | GPS Module with 1.30 m cable length |
| X40GPS08AM0400 | GPS Module with 4.00 m cable length |
| V02573200 | USB adapter |
| X90TMPC002 | USB cable |

Optionals

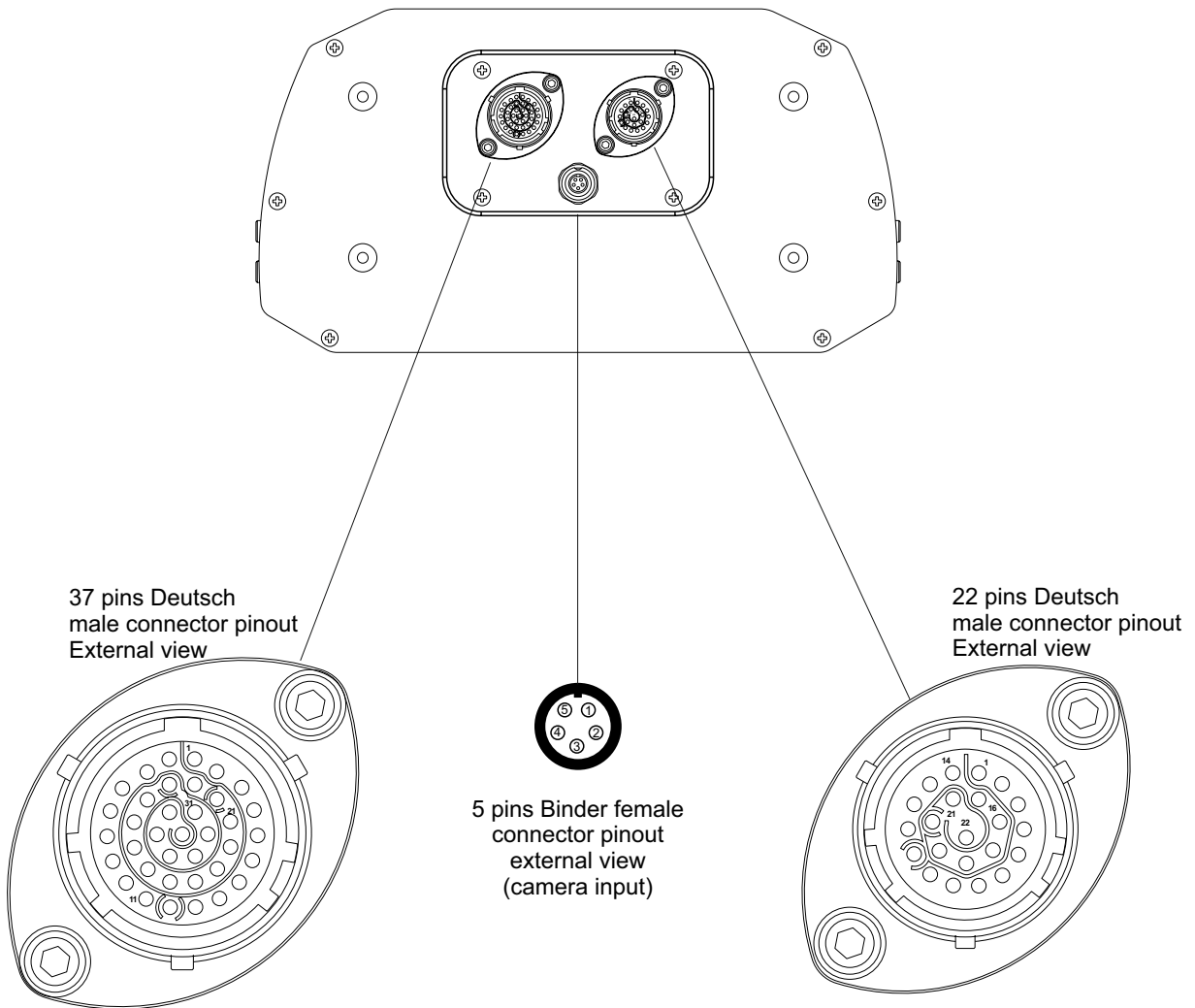
| | |
|------------------|---------------------------------|
| V02573020 | 22 pins harness |
| 5CN822F00 | 22 pin female Deutsch connector |
| 5CN837F00 | 37 pin female Deutsch connector |



AiM MXG 1.3

Dash logger

Pinout



| Pin | Deutsch 37 pin |
|-----|-------------------|
| 1 | 9-15V Power input |
| 2 | Battery GND |
| 3 | CAN+ Exp |
| 4 | GND |
| 5 | +Vbattery CAN |
| 6 | CAN- Exp |
| 7 | +Vb Ext |
| 8 | CAN1+ ECU |
| 9 | CAN 1- ECU |
| 10 | GND |
| 11 | K Line ECU |
| 12 | USB D+ |
| 13 | USB D- |
| 14 | GND |
| 15 | RPM |
| 16 | GND |
| 17 | +Vbattery |
| 18 | Optical Lap |
| 19 | Speed1 |

| Pin | Deutsch 37 pin |
|-----|----------------|
| 20 | GND |
| 21 | +Vbattery |
| 22 | Analog Input 1 |
| 23 | Analog GND |
| 24 | +Vbattery |
| 25 | +Vreference |
| 26 | Analog Input 2 |
| 27 | Analog GND |
| 28 | +Vbattery |
| 29 | +Vreference |
| 30 | Analog Input 3 |
| 31 | Analog GND |
| 32 | +Vbattery |
| 33 | +Vreference |
| 34 | Analog Input 4 |
| 35 | Analog GND |
| 36 | +Vbattery |
| 37 | +Vreference |

| Pin | Binder |
|-----|-------------------|
| 1 | Video input 1 |
| 2 | GND |
| 3 | +Vb output Camera |
| 4 | GND |
| 5 | Video input 2 |

| Pin | Deutsch 22 pin |
|-----|------------------|
| 1 | Analog Input 5 |
| 2 | Analog GND |
| 3 | +Vbattery |
| 4 | +Vreference |
| 5 | Analog Input 6 |
| 6 | Analog Input 7 |
| 7 | Analog GND |
| 8 | +Vbattery |
| 9 | +Vreference |
| 10 | Analog Input 8 |
| 11 | Speed 2 |
| 12 | GND |
| 13 | +Vbattery |
| 14 | Speed 3 |
| 15 | Speed 4 |
| 16 | GND |
| 17 | CAN2+ ECU |
| 18 | CAN2- ECU |
| 19 | Digital output 1 |
| 20 | Digital output 2 |
| 21 | ECU RS232 Rx |
| 22 | ECU RS232 Tx |