



AiM Infotech

AiM MX UTV Dash logger

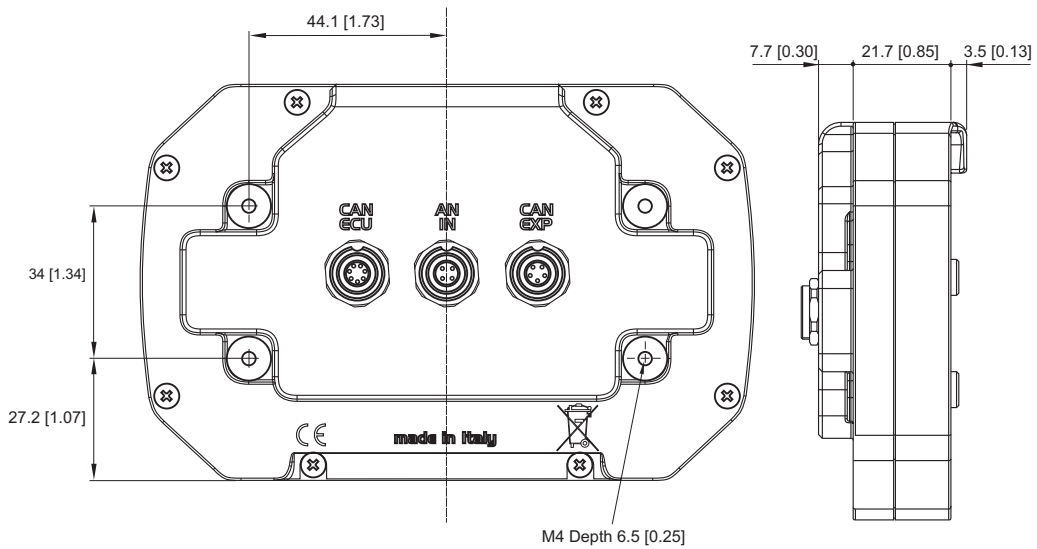
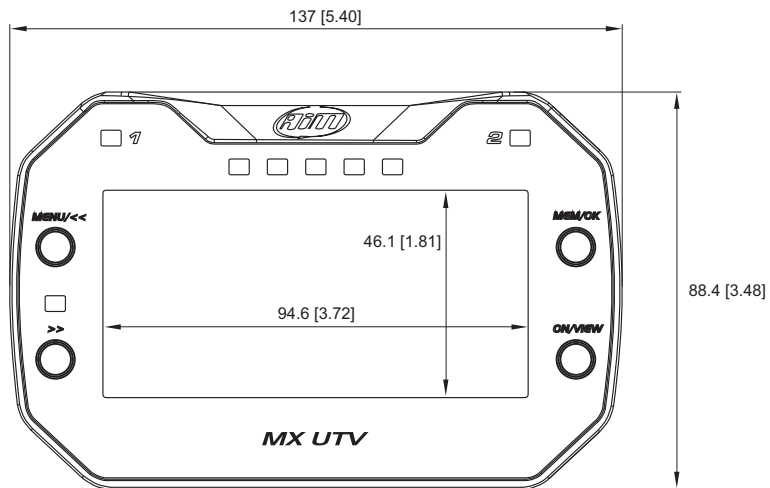
Release 1.00





AiM MX UTV

Dash logger





AiM MX UTV

Dash logger

Technical specifications

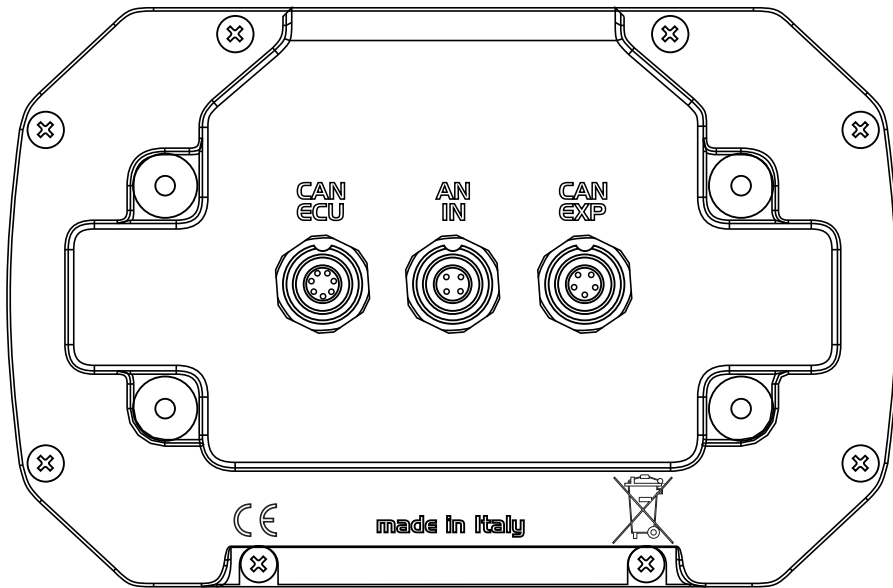
Display resolution	268 x 128 pixels
Backlight	7 configurable RGB colors
Ambient Light sensor	Yes
Shift Lights	5 configurable RGB LEDs
Alarm LEDs	2 configurable RGB LEDs
CAN connection	Yes
ECU connection	Models: Channels: Polaris RZR non turbo: Speed, RPM, Gear, ECT, TPS, BrakeSW, Fuel Rate Polaris RZR turbo: Speed, RPM, Gear, ECT, TPS, BrakeSW, Fuel Rate, Boost pressure, Charge Air temp (from request) CAN-AM non turbo: Speed, RPM, Gear, ECT, TPS, BrakeSW, instant fuel flow, Low Oil Pressure (as alarm function only, no data) CAN-AM turbo: Speed, RPM, Gear, ECT, TPS, BrakeSW, Instant Fuel consumed, Boost Pressure, Intake Air temp Yamaha YXZ 2016: Speed, RPM, Gear, ECT Yamaha YXZ 2017: Speed, RPM, Gear, ECT, TPS, BrakeSW Arctic Cat Wildcat: Speed, RPM, Gear, ECT, TPS, BrakeSW
GPS	Integrated
External modules	Lambda Controller, SmartyCam HD
Analog inputs	1
WiFi connection	Yes
Internal memory	4 GB
Body	Glass fiber reinforced Nylon
Pushbuttons	Metallic
Connectors	3 Binder connectors
Dimensions	137 x 88.4 x 31.9 mm
Weight	330 g
Waterproof	IP65
Part number	
X85MXUTV001	MX UTV



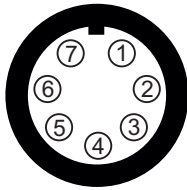
AiM MX UTV

Dash logger

Pinout

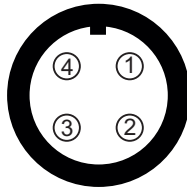


CAN ECU



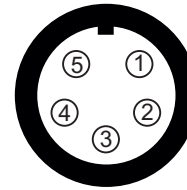
7 pins Binder 712 female connector pinout front view

AN IN



4 pins Binder 712 female connector pinout front view

CAN EXP



5 pins Binder 712 female connector pinout front view

ECU connector	
1	CAN ECU+
2	CAN ECU-
3	+Vbext
4	RS232TX
5	RS232RX
6	K-Line
7	GND

Analog Input connector	
1	Analog input 1
2	Analog GND
3	+Vb out
4	+VReference

EXP Connector	
1	CAN+
2	GND
3	+Vb out
4	CAN-
5	+Vbext