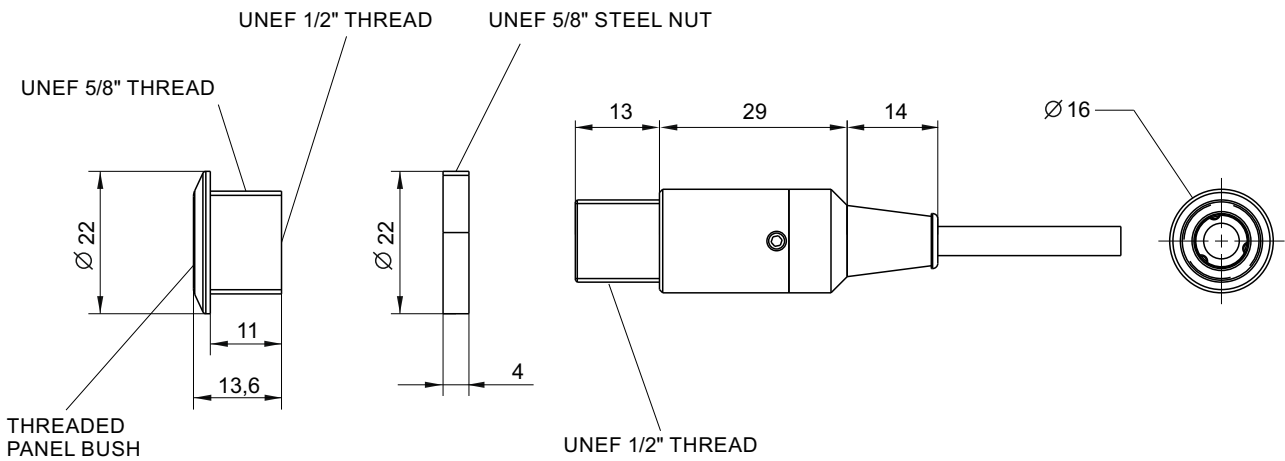




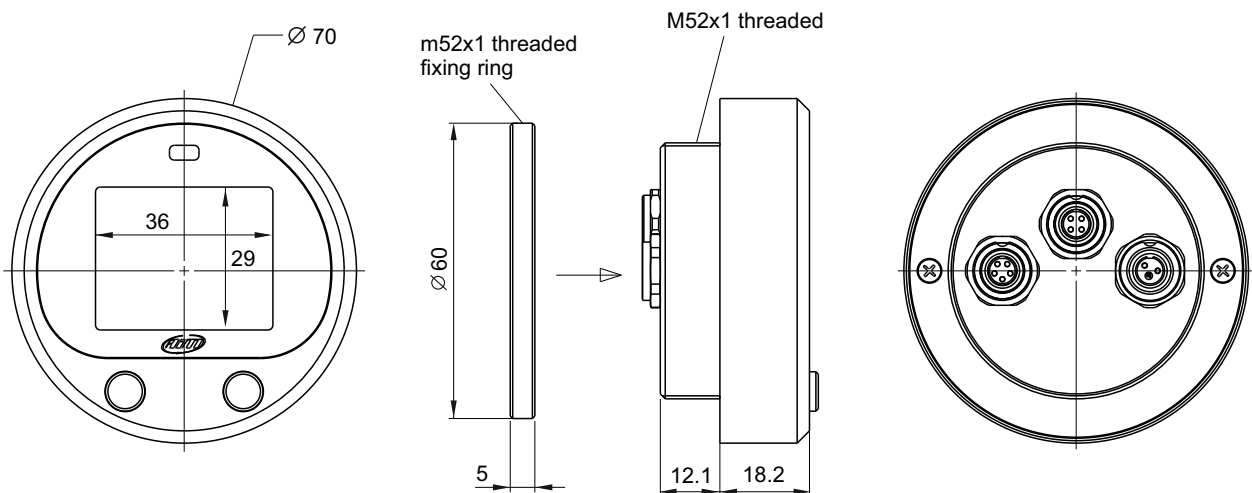
# AiM Infrared Belt Temperature System



## Sensor



## Gauge





# AiM Infrared Belt Temperature System

## Part numbers

- X08BST01111** IR Belt Temperature System (sensor, gauge and power cable, 300 mm extension cable)
- X08BST01114** IR Belt Temperature System (sensor, gauge and power cable, 400 mm extension cable)
- X05ITS01A01** IR temperature sensor (CVT)
- X05EIG010** Gauge
- X05KITS010** Bracket

## Technical specifications

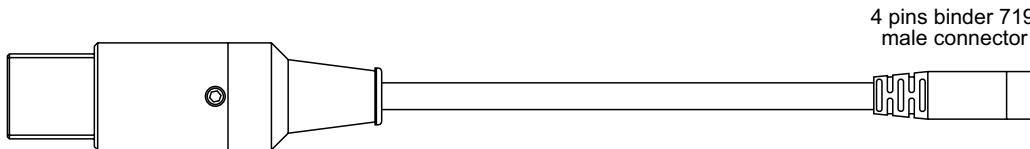
### Sensor

- 1 measurement point
- Field of View 12°
- Temperature range -60/550°F
- Real-time Temperature Tracking
- Average Temperature Tracking  
Tracks average temperatures over the last 15', 30' or 90' of run-time

### Gauge

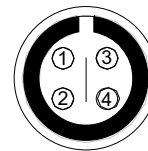
- RGB LED Alert  
The LED starts blinking red when temperature exceeds the user defined level
- Anti-Glare TFT Display, ris. 160x128, 1.8', Sunlight Readable
- Anodised aluminum body
- Vibration proof
- IP65 Water-Resistant

## Sensor pinout



4 pins binder 719 male connector

4 pins Binder 719 male connector external view



Pin	Function
1	Signal
2	GND
3	n.c.
4	Vreference



# AiM Infrared Belt Temperature System

## Gauge pinout

