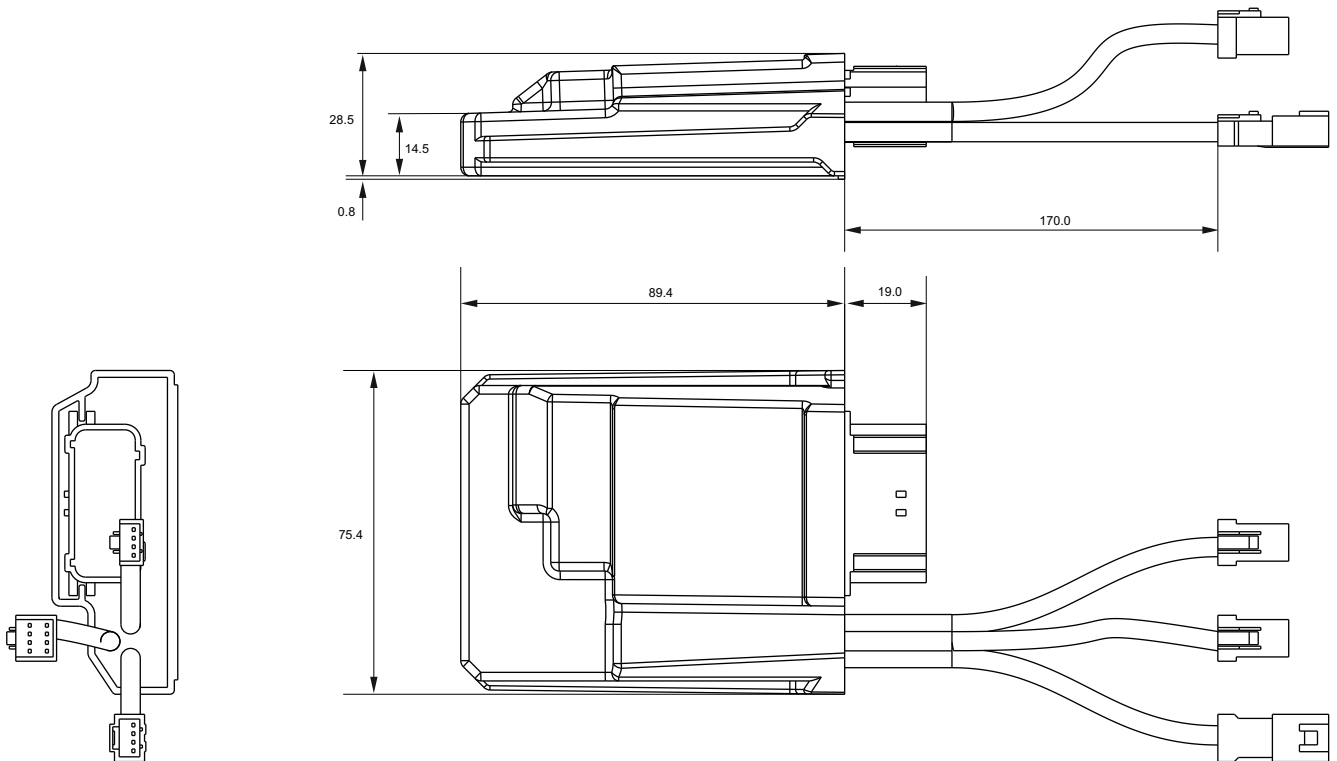




AiM ECU Taipan & accessories

PLUG 'N PLAY ECU FOR MOTOCROSS





AiM ECU Taipan & accessories

PLUG 'N PLAY ECU FOR MOTOCROSS

Technical specifications

Plug 'n play ECU for :

AiM ECU Taipan Compatible models	Bikes				Project status
	Brand	Type	Race	Year	
	GASGAS	MC 250F	Cross	2021	OK
				2022	OK
		MC 450F	Cross	2021	OK
				2022	OK
	HONDA	CRF 250R	Cross	2019	OK
				2020	OK
				2021	OK
		CRF 450R	Cross	2019	OK
				2020	OK
				2021	OK
	HUSQVARNA	FC 250	Cross	2019	OK
				2020	OK
				2021	OK
				2022	OK
		FC 450	Cross	2019	OK
				2020	OK
				2021	OK
				2022	OK
		FE 350	Enduro	2020	OK
				2021	OK
				2022	OK
		FE 450	Enduro	2020	OK
				2021	OK
				2022	OK
FS 450	Supermoto	2019	OK		
		2020	OK		
		2021	OK		
		2022	OK		
FE 501	Enduro	2020			
		2021			
	KAWASAKI	KX 250	Cross	2021	
				2022	
		KX 450	Cross	2019	OK
				2020	OK
	KTM	SX-F 250	Cross	2019	OK
				2020	OK
				2021	OK
				2022	OK
		SX-F 450	Cross	2019	OK
				2020	OK
				2021	OK
				2022	OK
		EXC-F 350	Enduro	2020	OK
				2021	OK
				2022	OK
		EXC-F 450	Enduro	2020	OK
				2021	OK
				2022	OK
SMR 450	Supermoto	2019	OK		
		2020	OK		
		2021	OK		
		2022	OK		
EXC-F 500	Enduro	2020			
		2021			

Upgrades for all the 2021 motorcycles (250 and 450) are in development right now and will be ready very soon.



AiM ECU Taipan & accessories

PLUG 'N PLAY ECU FOR MOTOCROSS

Technical specifications

Additional characteristics to the stock ECU:

- Two 0-5V analog inputs sampled @ 1,000 Hz each, could be alternatively used as switch to ground
- Second injector driver for high impedance saturated injectors (12Ω)
- One low side driver (1A)
- Two CAN bus, one for calibration purposes, one for expansions (AiM handlebar switch, dataloggers, dash ecc.)
- Three JST JWPF waterproof auxiliary connector
- Power consumption 150 mA

- Connectors: n.1 JST 04T-JWPF-VSLE-S Connector
n.1 JST 08R-JWPF-VSLE-D Connector
n.1 JST 04R-JWPF-VSLE-S Connector
n.1 33 pin male Connector

- Body: PA6 + 30% glass fiber
- Dimensions: 89.4x75.4x29.3 mm
- Waterproof: IP67
- Weight: 260 g



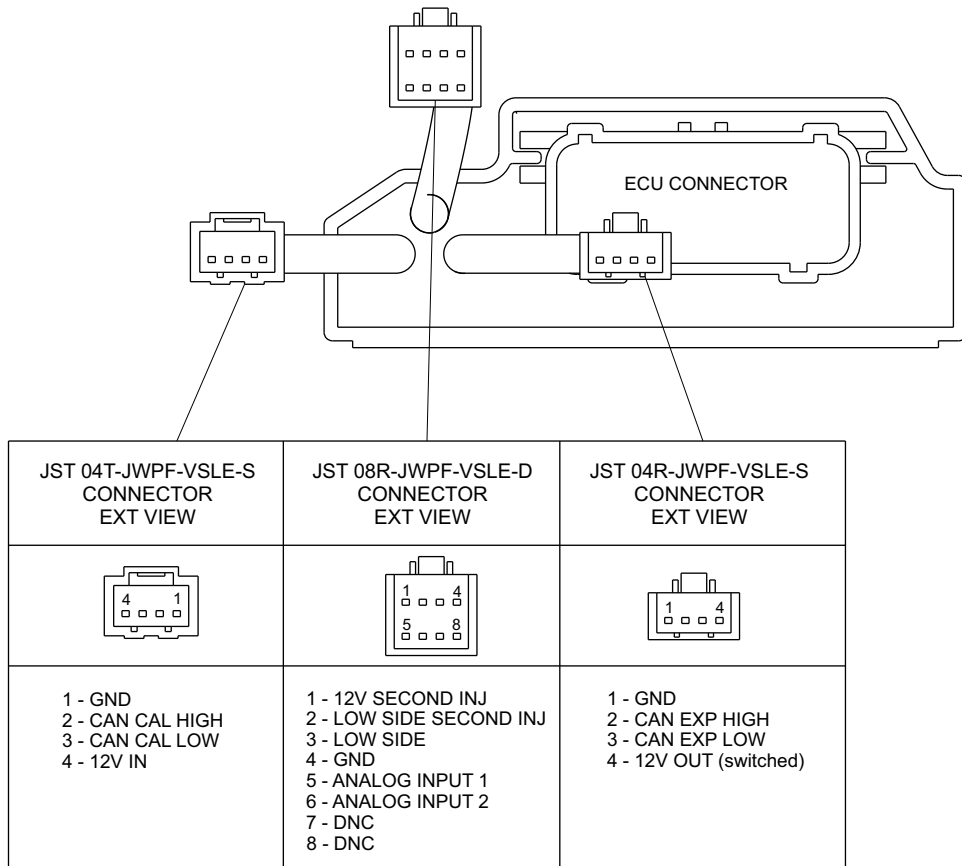
AiM ECU Taipan & accessories

PLUG 'N PLAY ECU FOR MOTOCROSS

Part numbers (ECU Taipan & accessories)

XE1ECUCB0	ECU Taipan
XE1HBS000	Handle Bar Switch
XE1UCB000	UC Bridge
XE1UCBT00	UC Bridge Tuner
XE1ECUHBS00	Kit ECU Taipan + Handle Bar Switch
XE1ECUHBSUCB0	Kit ECU Taipan + Handle Bar Switch + UC Bridge

Pinout

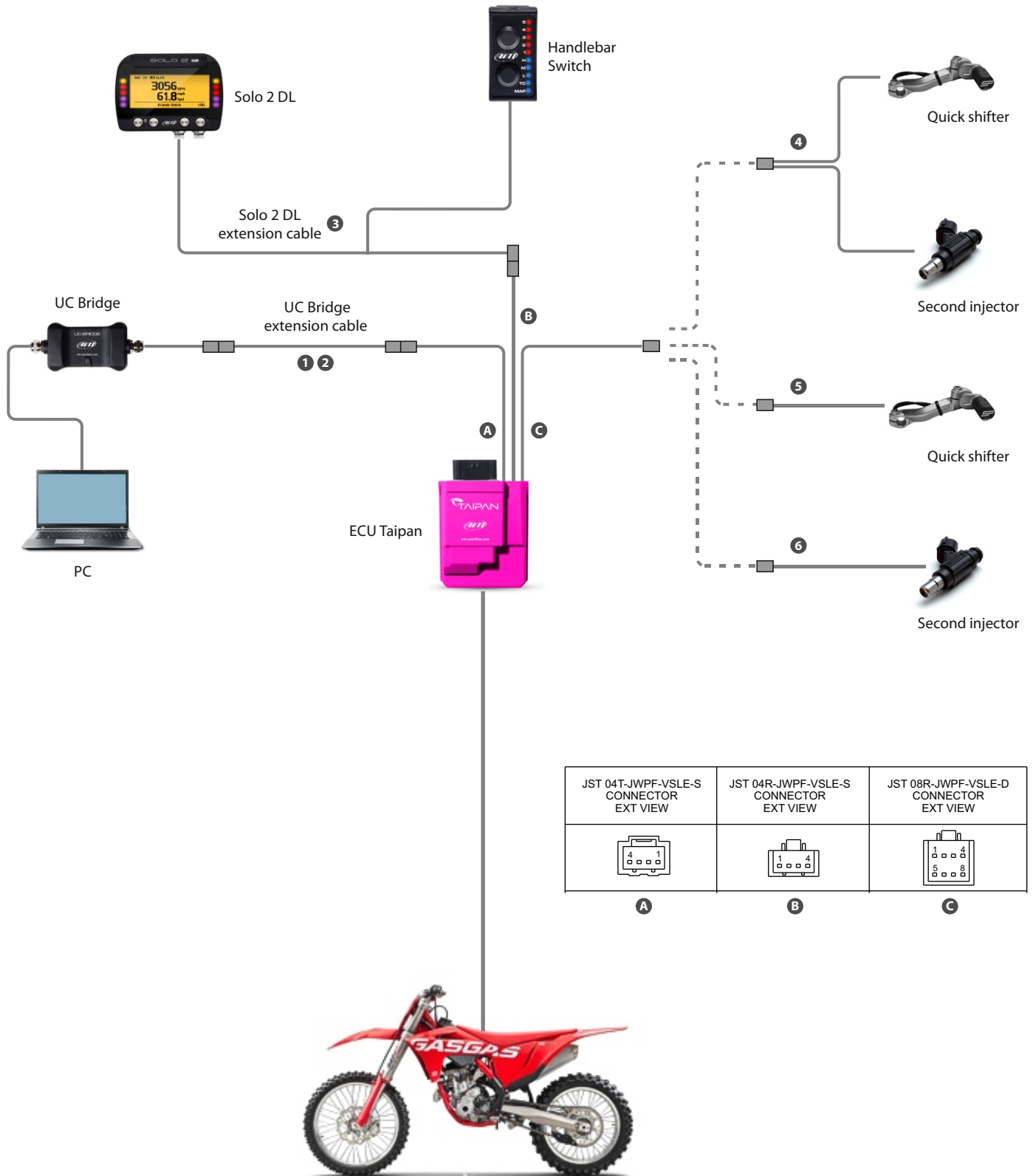




AiM ECU Taipan & accessories

PLUG 'N PLAY ECU FOR MOTOCROSS

Functional diagram





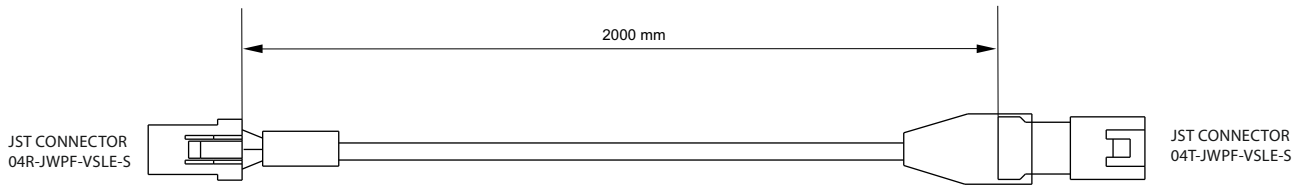
AiM ECU Taipan & accessories

PLUG 'N PLAY ECU FOR MOTOCROSS

Optional cables

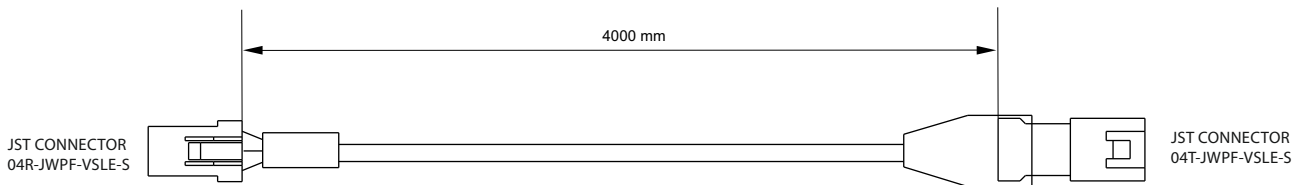
1 UC Bridge extension cable 2 m

Part number V02596020



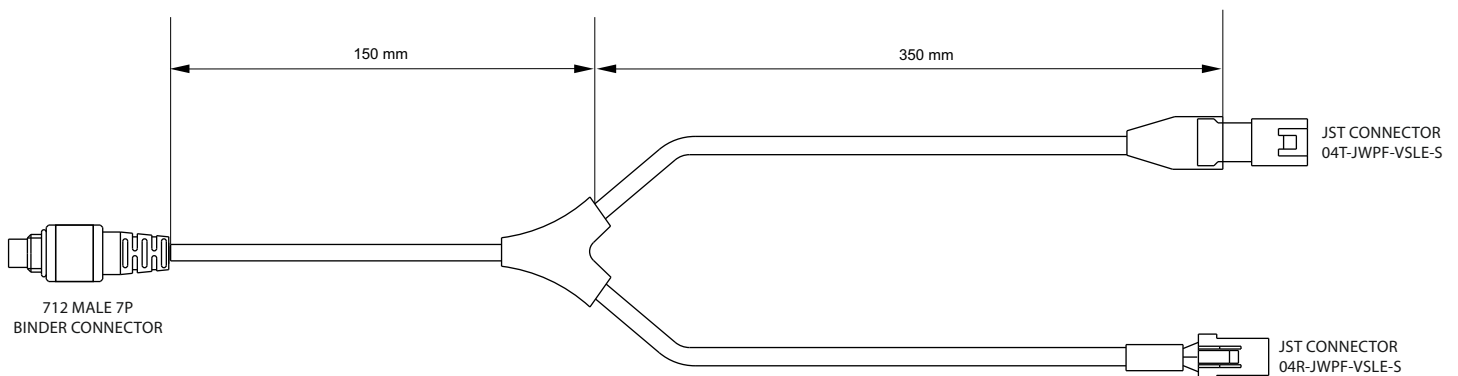
2 UC Bridge extension cable 4 m

Part number V02596030



3 Solo 2 DL extension cable 50 cm

Part number V02589120





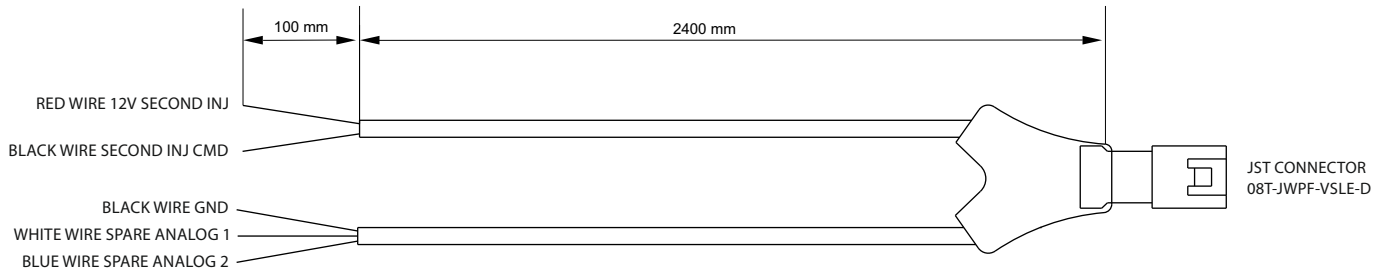
AiM ECU Taipan & accessories

PLUG 'N PLAY ECU FOR MOTOCROSS

Optional cables

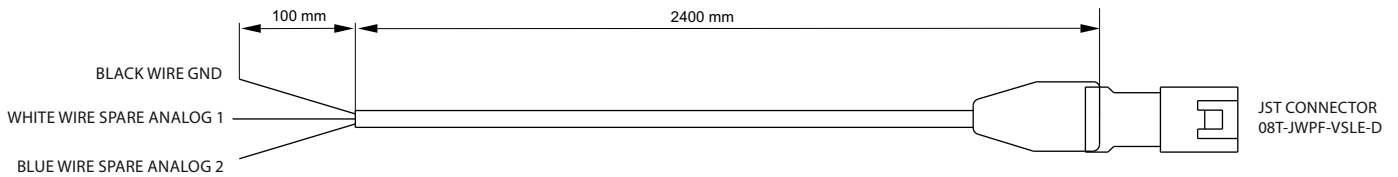
4 Analog channels and second injection harness

Part number V02596060



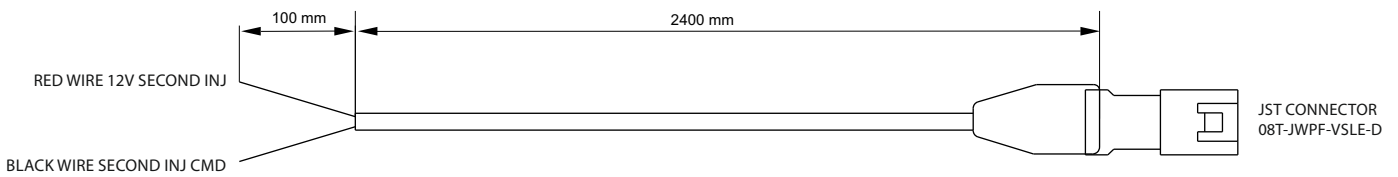
5 Analog channels harness

Part number V02596070



6 Second injection harness

Part number V02596080



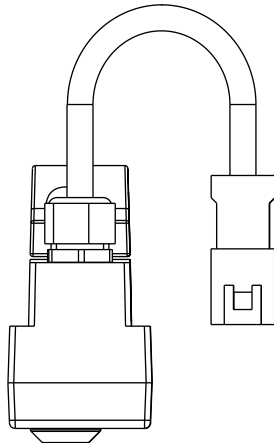
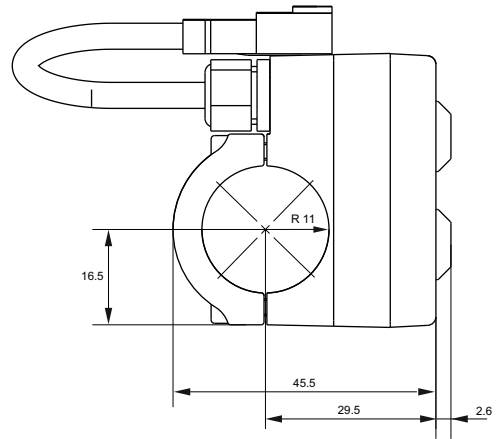
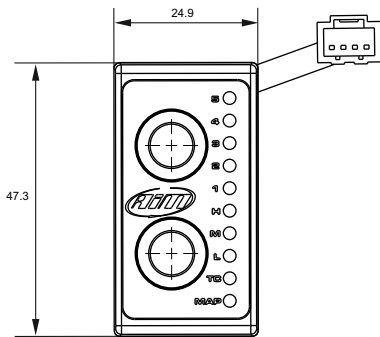


AiM ECU Taipan & accessories

PLUG 'N PLAY ECU FOR MOTOCROSS

Accessories:

Handlebar Switch





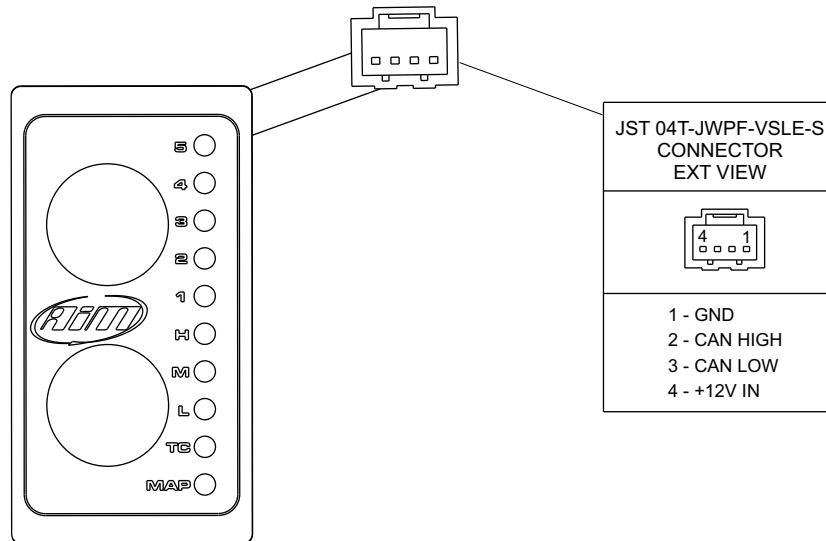
AiM ECU Taipan & accessories

PLUG 'N PLAY ECU FOR MOTOCROSS

Accessories:

Handlebar Switch technical specifications and pinout

- JST waterproof connector for CAN Bus communication
- Connector: n.1 JST 04T-JWPF-VSLE-S Connector
- Body: PA6 + 30% glass fiber
- Dimensions: 47.3x24.9x48.1 mm
- Waterproof: IP67
- Weight: 70 g





AiM ECU Taipan & accessories

PLUG 'N PLAY ECU FOR MOTOCROSS

Accessories:

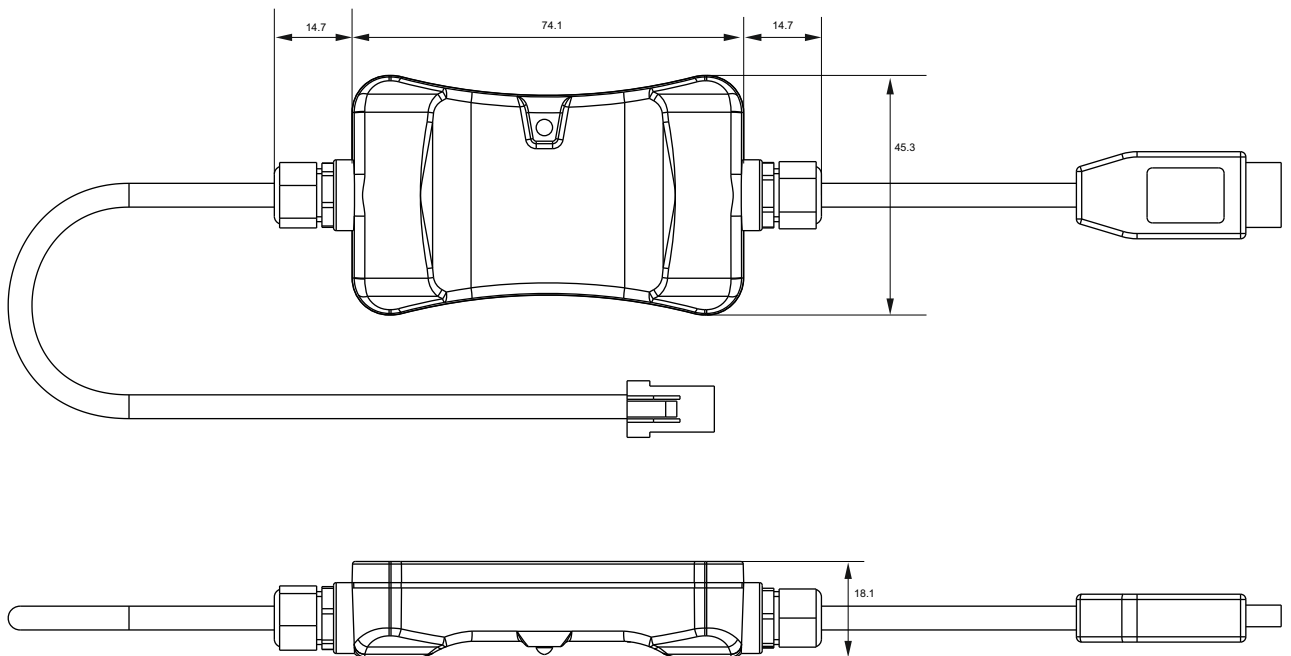
UC Bridge



User license



Tuner license





AiM ECU Taipan & accessories

PLUG 'N PLAY ECU FOR MOTOCROSS

Accessories:

UC Bridge technical specifications and pinout

- Connectors: n.1 USB connection for PC
n.1 JST 04R-JWPF-VSLE-S waterproof Connector for CAN Bus communication
- Body: PA6 + 30% glass fiber
- Dimensions: 103.5x45.3x18.1 mm
- Waterproof: IP65
- Weight: 80 g

