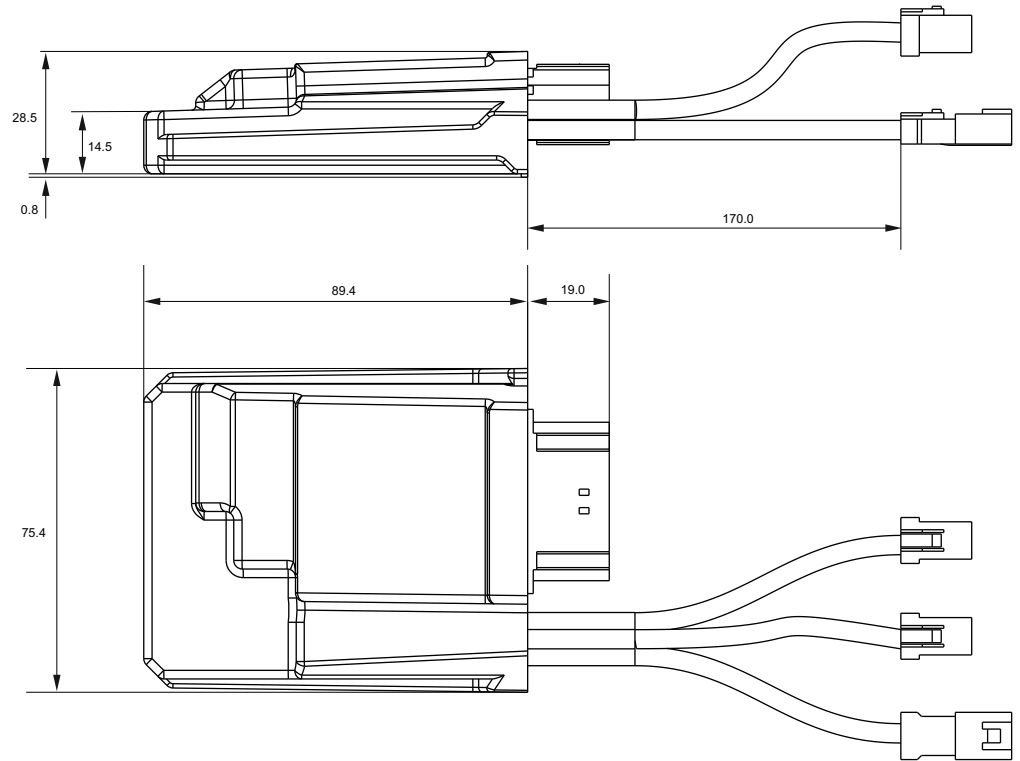
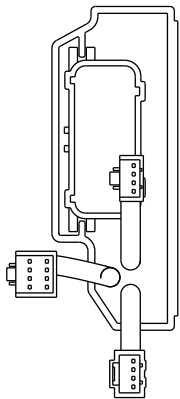




AiM ECU Cobra & accessories

PLUG 'N PLAY ENGINE CONTROL UNIT







AiM ECU Cobra & accessories

PLUG 'N PLAY ENGINE CONTROL UNIT

Technical specifications

Plug 'n play ECU for :

	Bikes			EU gasoline	US Pro six gasoline
	Brand	Type	Year	Project status	Project status
	GASGAS	MC 250F	2021	OK	
		MC 450F	2021	OK	
	HONDA	CRF 250R	2019	OK	OK
		CRF 250R	2020	OK	OK
		CRF 250R	2021	OK	OK
		CRF 450R	2019		
		CRF 450R	2020		
		CRF 450R	2021	OK	
	HUSQVARNA	FC 250	2019	OK	
		FC 250	2020	OK	
		FC 250	2021	OK	
		FC 450	2019	OK	
		FC 450	2020	OK	
		FC 450	2021	OK	
		FE 501	2020		
		FE 501	2021		
	KAWASAKI	KX 250	2021		
		KX 450	2019	OK	
		KX 450	2020	OK	
		KX 450	2021	OK	
	KTM	SX-F 250	2019	OK	
		SX-F 250	2020	OK	
		SX-F 250	2021	OK	
		SX-F 450	2019	OK	
		SX-F 450	2020	OK	
		SX-F 450	2021	OK	
		EXC-F 500	2020		
		EXC-F 500	2021		

Upgrades for all the 2021 motorcycles (250 and 450) are in development right now and will be ready very soon.



AiM ECU Cobra & accessories

PLUG 'N PLAY ENGINE CONTROL UNIT

Technical specifications

Additional characteristics to the stock ECU:

- Two 0-5V analog inputs sampled @ 1,000 Hz each, could be alternatively used as switch to ground
- Second injector driver for high impedance saturated injectors (12Ω)
- One low side driver (1A)
- Two CAN bus, one for calibration purposes, one for expansions (AiM handlebar switch, dataloggers, dash ecc.)
- Three JST JWPF waterproof auxiliary connector
- Power consumption 150 mA

- Connectors: n.1 JST 04T-JWPF-VSLE-S Connector
n.1 JST 08R-JWPF-VSLE-D Connector
n.1 JST 04R-JWPF-VSLE-S Connector
n.1 33 pin male Connector

- Body: PA6 + 30% glass fiber
- Dimensions: 89.4x75.4x29.3 mm
- Waterproof: IP67
- Weight: 260 g



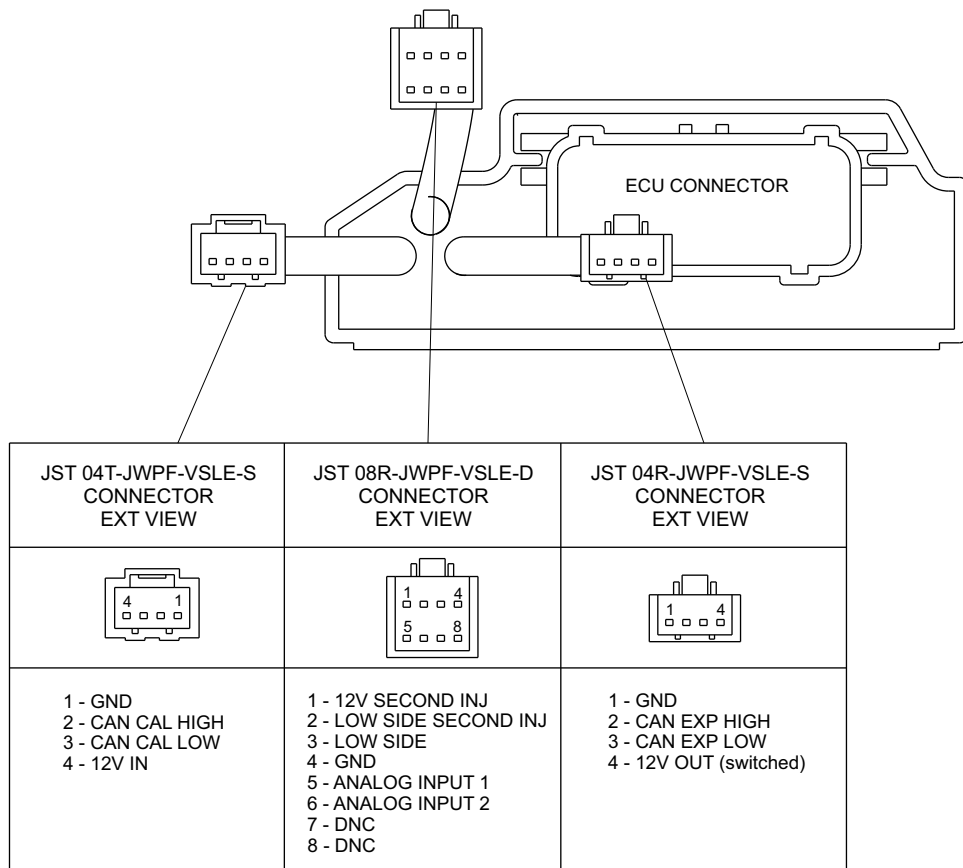
AiM ECU Cobra & accessories

PLUG 'N PLAY ENGINE CONTROL UNIT

Part numbers (ECU Cobra & accessories)

XE1ECUCB0	ECU Cobra
XE1HBS000	Handle Bar Switch
XE1UCB000	UC Bridge
XE1UCBT00	UC Bridge Tuner
XE1ECUHBS00	Kit ECU Cobra + Handle Bar Switch
XE1ECUHBSUCB0	Kit ECU Cobra + Handle Bar Switch + UC Bridge

Pinout

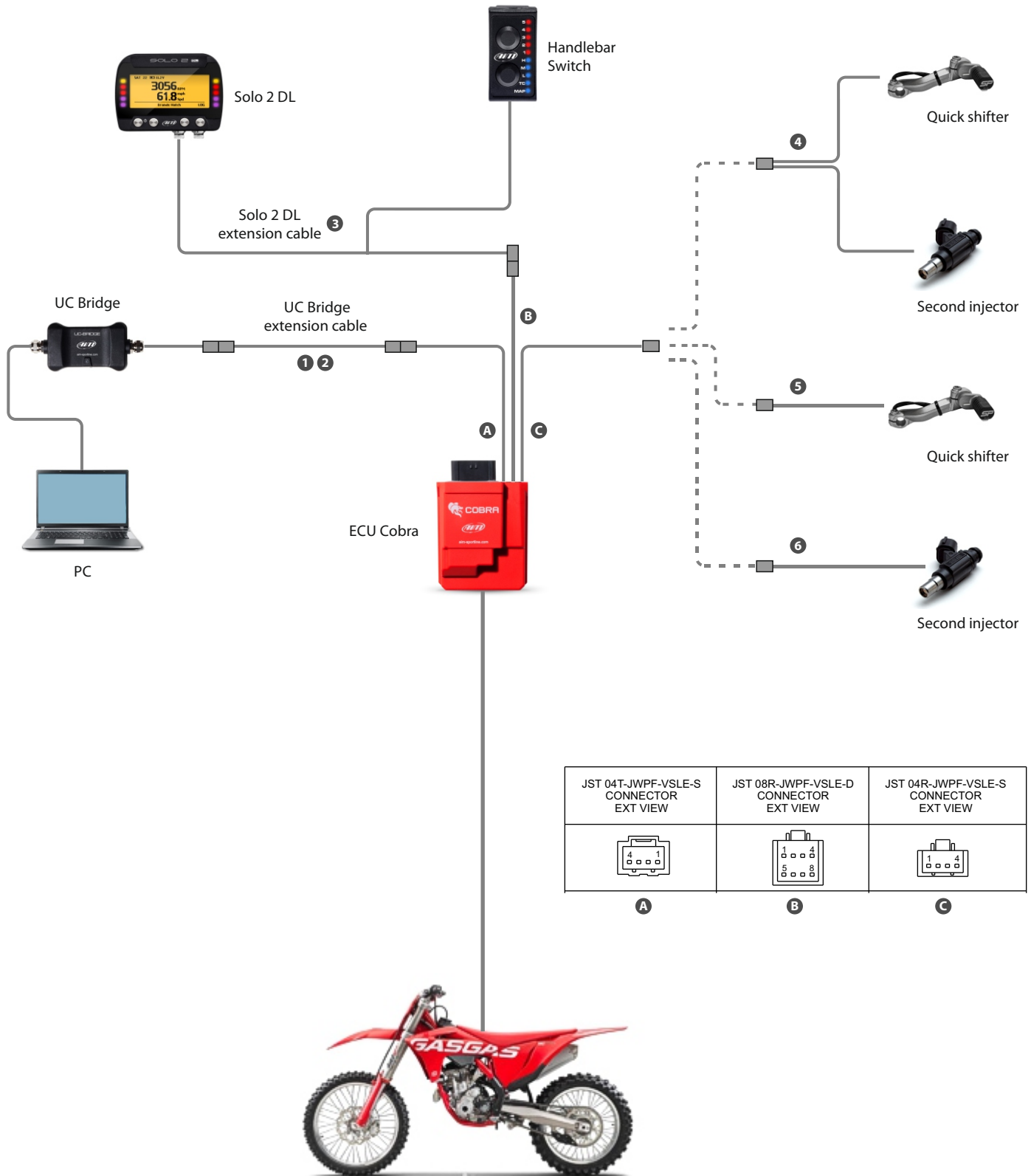




AiM ECU Cobra & accessories

PLUG 'N PLAY ENGINE CONTROL UNIT

Functional diagram





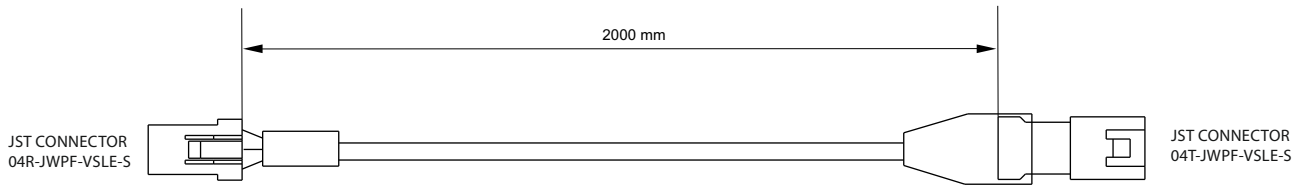
AiM ECU Cobra & accessories

PLUG 'N PLAY ENGINE CONTROL UNIT

Optional cables

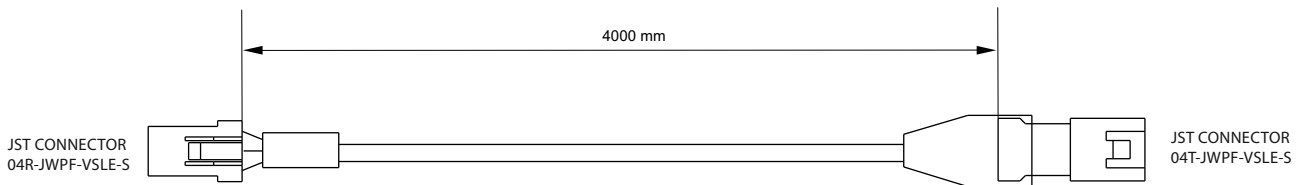
1 UC Bridge extension cable 2 m

Part number V02596020



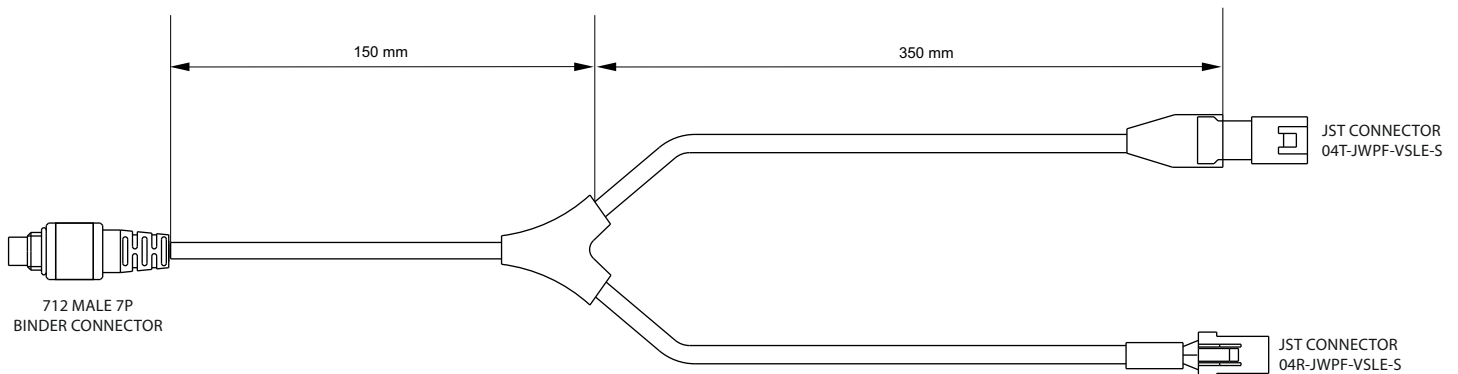
2 UC Bridge extension cable 4 m

Part number V02596030



3 Solo 2 DL extension cable 50 cm

Part number V02589120





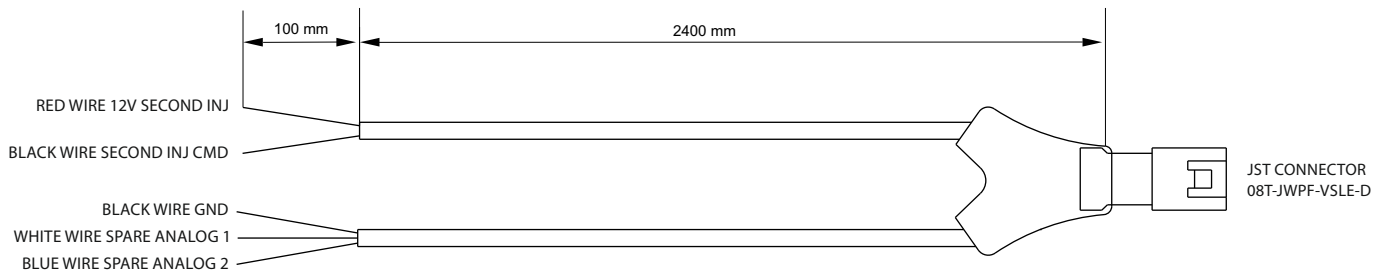
AiM ECU Cobra & accessories

PLUG 'N PLAY ENGINE CONTROL UNIT

Optional cables

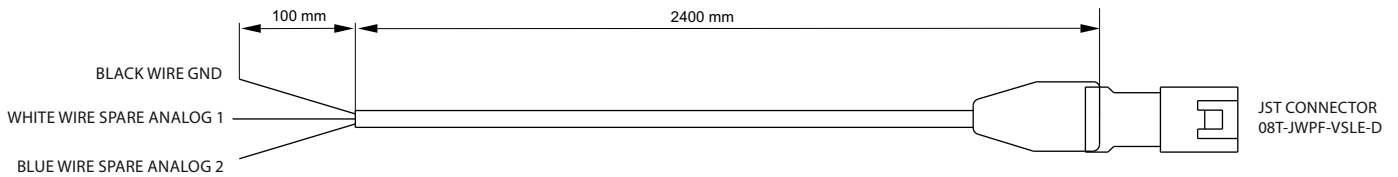
4 Analog channels and second injection harness

Part number V02596060



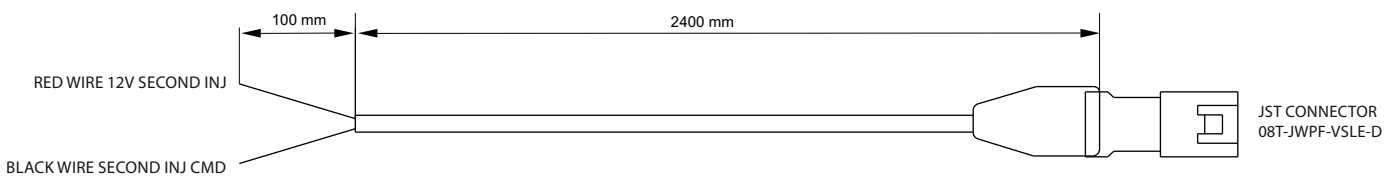
5 Analog channels harness

Part number V02596070



6 Second injection harness

Part number V02596080



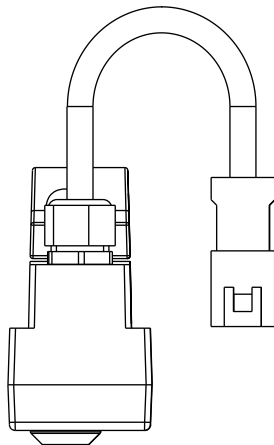
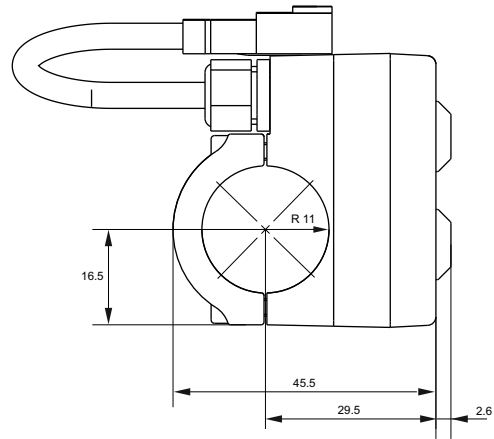
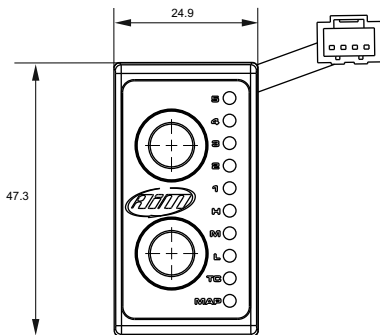


AiM ECU Cobra & accessories

PLUG 'N PLAY ENGINE CONTROL UNIT

Accessories:

Handlebar Switch





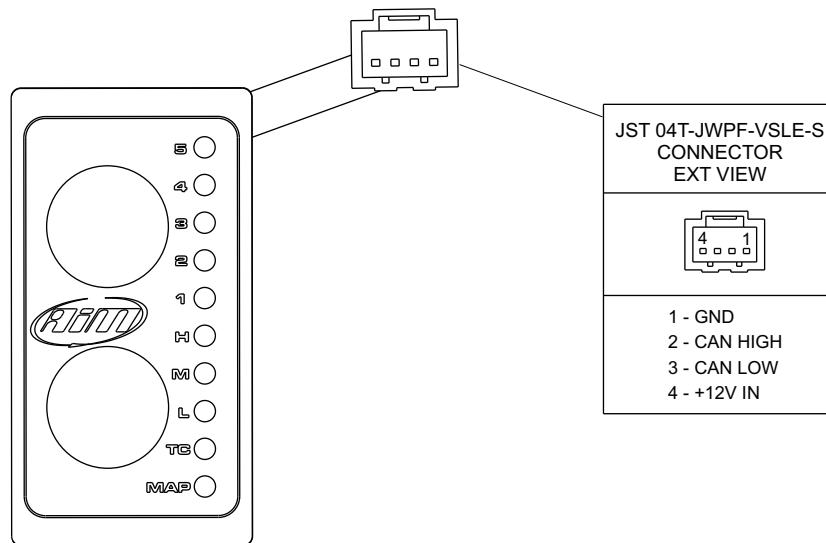
AiM ECU Cobra & accessories

PLUG 'N PLAY ENGINE CONTROL UNIT

Accessories:

Handlebar Switch technical specifications and pinout

- JST waterproof connector for CAN Bus communication
- Connector: n.1 JST 04T-JWPF-VSLE-S Connector
- Body: PA6 + 30% glass fiber
- Dimensions: 47.3x24.9x48.1 mm
- Waterproof: IP67
- Weight: 70 g





AiM ECU Cobra & accessories

PLUG 'N PLAY ENGINE CONTROL UNIT

Accessories:

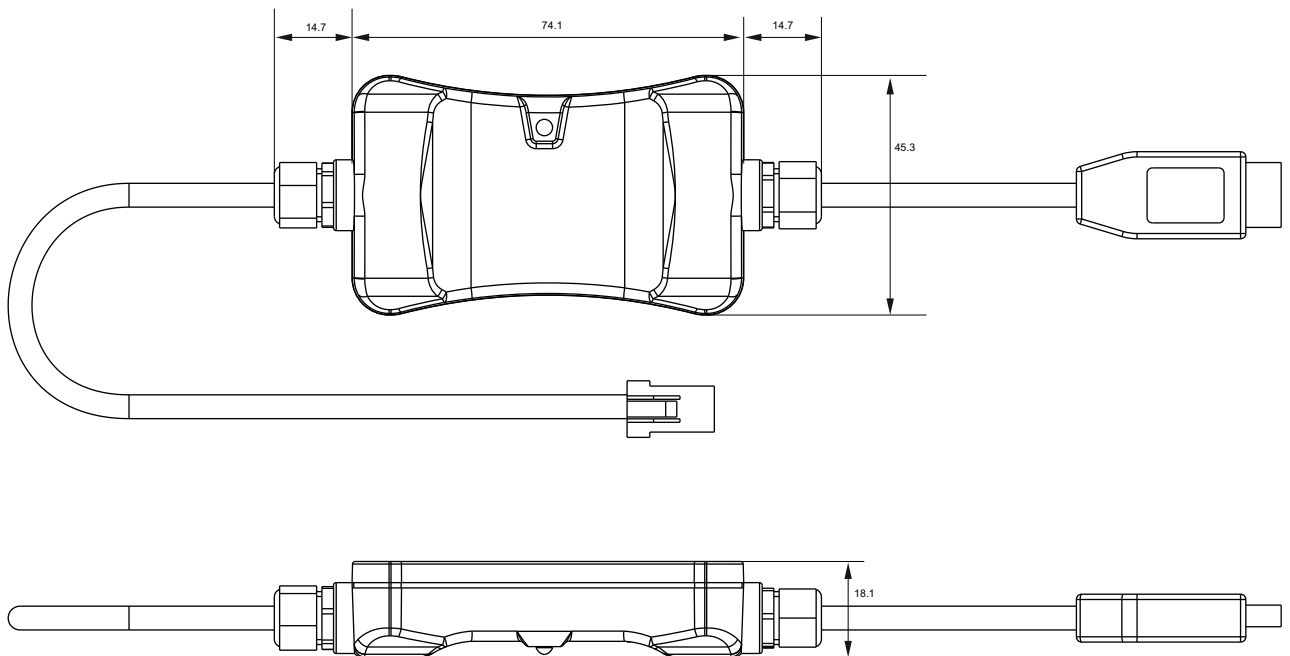
UC Bridge



User license



Tuner license





AiM ECU Cobra & accessories

PLUG 'N PLAY ENGINE CONTROL UNIT

Accessories:

UC Bridge technical specifications and pinout

- Connectors: n.1 USB connection for PC
n.1 JST 04R-JWPF-VSLE-S waterproof Connector for CAN Bus communication
- Body: PA6 + 30% glass fiber
- Dimensions: 103.5x45.3x18.1 mm
- Waterproof: IP65
- Weight: 80 g

