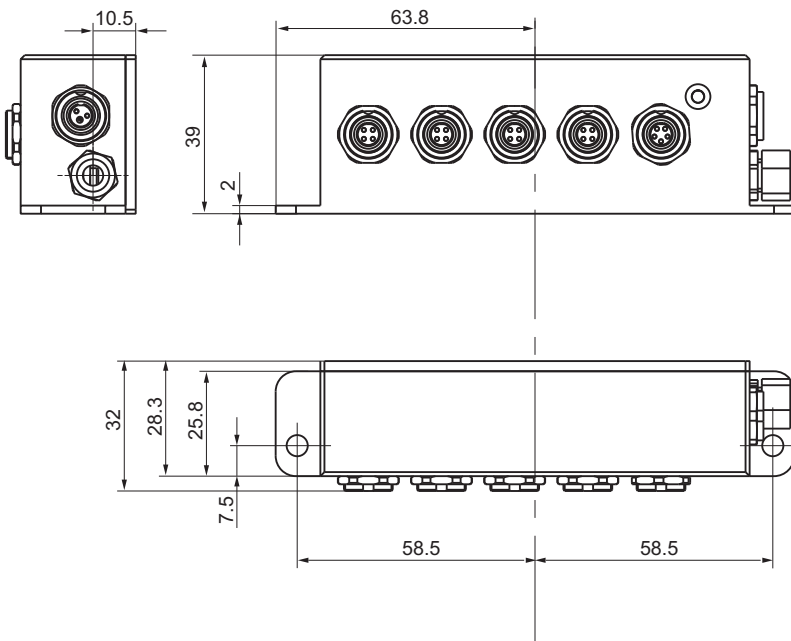


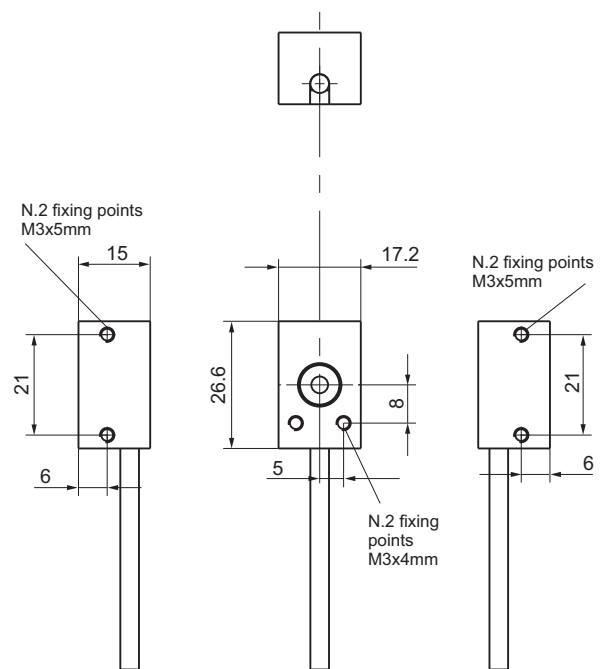
# AiM Tire temperature sensors kit



IR temperature controller:



Sensor:



# AiM Tire temperature sensors kit

## In the box

IR temperature controller, four tire temperature sensors, power cable, two 4 pin 712+719 patch cables 1 m length, two 4 pin 712+719 patch cables 2 m length.

## Part number

**X08TTK014120** Tire temperature sensors kit

## Spare parts

**XSMIRTEMP00** IR temperature controller

**X05TTS01B0** Tire temperature sensor

**V02PCB10BTXG** 4 pin 712+719 patch cable, 1 m length

**V02PCB20BTXG** 4 pin 712+719 patch cable, 2 m length

**V02551200** Power cable

## Accessories

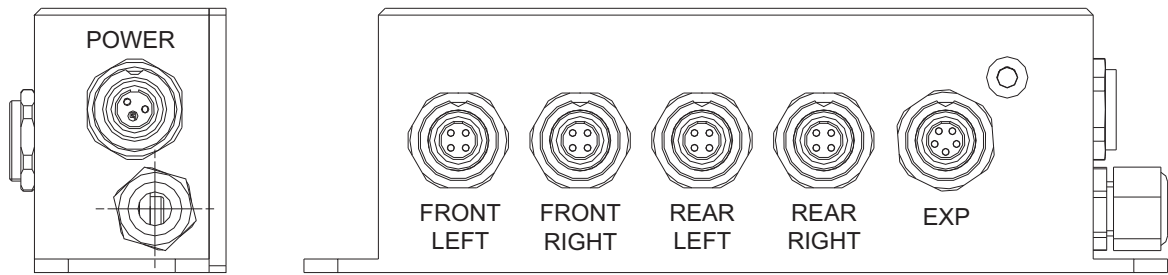
**X90KSTTS0** Installation brackets kit

## Technical specifications

- Connection to MyChron5 via IR Temperature Controller
- Output signal 0-5V
- Field of View 35°
- Temperature range -20°/120°C
- IR temperature controller dimensions: 127.6 x 32 x 39 mm
- Sensor dimensions: 26.6 x 17.2 mm
- Sensor cable length: 250 mm
- IR temperature controller cable length: 400 mm

# AiM Tire temperature sensors kit

## Pinout



2 PINS binder 712 female connector (external view)



4 PINS binder 712 female connector (external view)



5 PINS binder 712 female connector (external view)



POWER		FRONT LEFT		FRONT RIGHT	
1	+Vbext	1	ANALOG INPUT 1	1	ANALOG INPUT 2
2	GND	2	GND	2	GND
		3	+Vb	3	+Vb
		4	+Vref	4	+Vref

REAR LEFT		REAR RIGHT		EXP	
1	ANALOG INPUT 3	1	ANALOG INPUT 4	1	CAN+
2	GND	2	GND	2	GND
3	+Vb	3	+Vb	3	+Vb
4	+Vref	4	+Vref	4	CAN-
				5	+VBext

