



AIMSHOP.COM



• LAP TIMERS • LOGGERS • CAMERAS • DASHES • SENSORS • AND MORE

SHOP NOW

AiM Infotech

## Kart brake / accelerator pedal position sensor

Release 1.04

---



VISIT SUPPORT CENTER

SOFTWARE DOWNLOADS

FIRMWARE UPDATES

PRODUCT DOCUMENTATION



This datasheet shows where and how to install the kart brake/accelerator pedal position sensor.

## 1 Introduction

---

AiM devices can measure the distance between two points using a kart brake/accelerator pedal position sensor. It gives an extremely precise indication of the pedal position, measures its travel and shows all values in percentage in a 0 e 100%. range

## 2 Kits and spare parts

---

The cable of kart brake/accelerator pedal position sensor ends with a 4 pins plastic Binder connector. It can be connected to both MyChron Expansion and eBox Extreme, which have metal connectors. This is why you need to purchase it with the correct extension cable. Available kits are:

kit for connection with MyChron Expansion: part number **X05SNAFME0**. It includes:

- 1 sensor (1)
- 1 – 150 cm extension cable (2)
- 1 bracket kit (3) including 1 magnetic bracket  
1 "L" bracket, 2 washers, 1 M6x16 Allen screw,  
1 nut



kit for connection with eBox Extreme: part number **X05SNAFEE0**. It includes:

- 1 sensor (1)
- 1 – 100 cm extension cable (2)
- 1 bracket kit (3) including 1 magnetic bracket,  
1 "L" bracket, 2 washers, 1 M6x16 Allen screw,  
1 nut



All kit components can be bought also as spare parts. Their part numbers are:

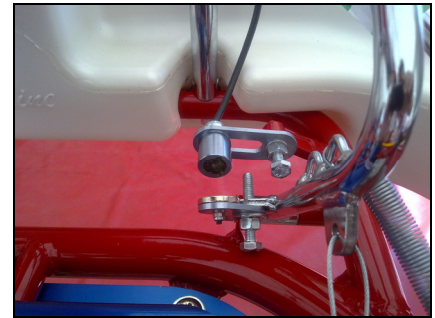
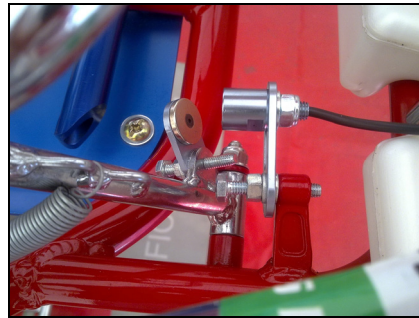
- Bracket kit: **DNKTKSSAF00** including:
  - 1 magnetic bracket
  - 1 "L" bracket
  - 2 washers
  - 1 M6x16 Allen screw
  - 1 nut
- 150 cm extension cable for per MyChron Expansion: **V02PCB15BTXG**
- 100 cm extension cable for eBox Extreme: **V02552960**

## 2.1 Installation notes

---

The sensor has to be installed on the pedal as shown in the images below.

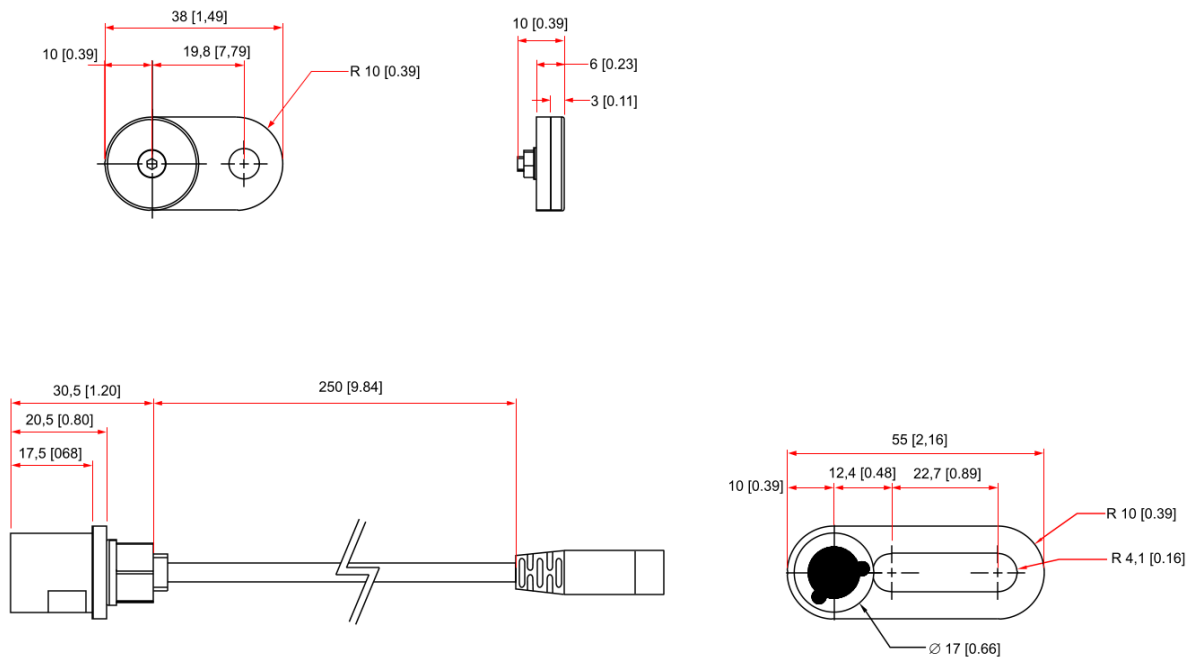
**Please** install the sensor so that the distance between magnet and sensor stays in a 5 – 40 mm range.



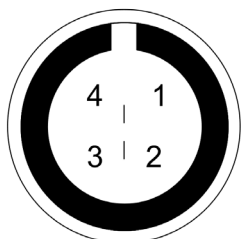
### 3

## Dimensions and pinout

The drawing below shows the sensors dimensions in millimeters [inches].



The sensor is sold with a 25 cm cable ending with a 4 pins Binder 719 male connector. The image here below shows its pinout from solder termination view.



Binder connector pin	Function
1	Analog signal 0-5 V
2	GND
3	Not connected
4	V reference (4.5V)