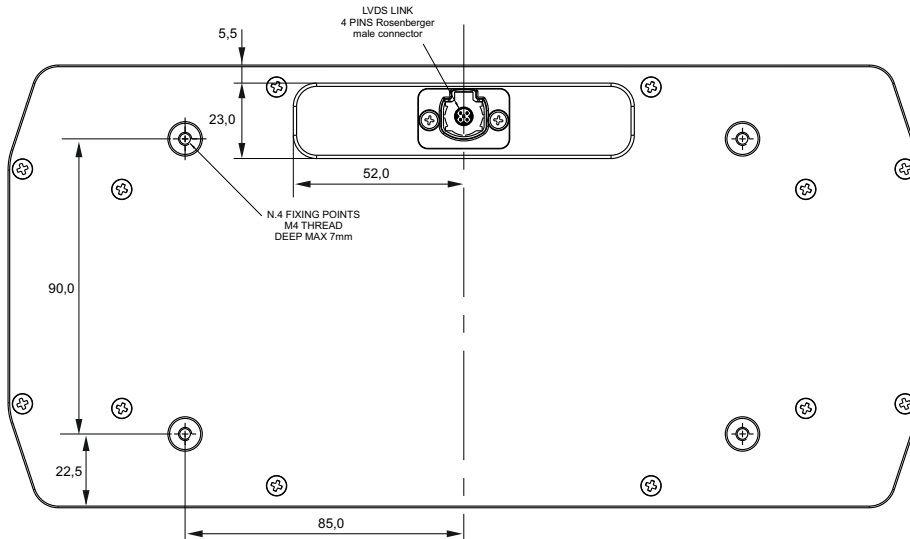
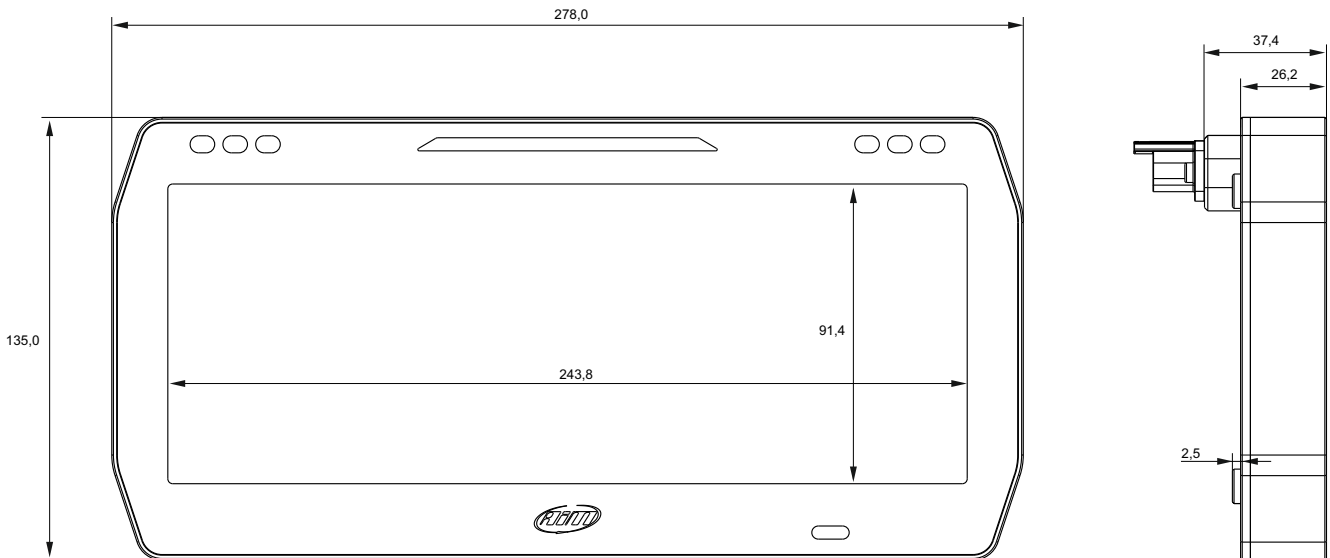




AiM PDM Dash 10"

TFT Display for PDM modules





AiM PDM Dash 10"

TFT Display for PDM modules

Technical specifications

Display	10" TFT
Resolution	1280x480 pixels
Contrast	1,100:1
Brightness	800cd/m2
Ambient light sensor	Yes
Status information LEDs	6
Shift Lights LEDs	10
Body	Anodized Aluminum
Connectors	LVDS Link 4 Pins Rosenberger male connector
Dimensions	278.0 x 135.0 x 26.2 mm
Weight	1,000 g
Power consumption	250 mA
Waterproof	IP65



AiM PDM Dash 10"

TFT Display for PDM modules

Pinout

