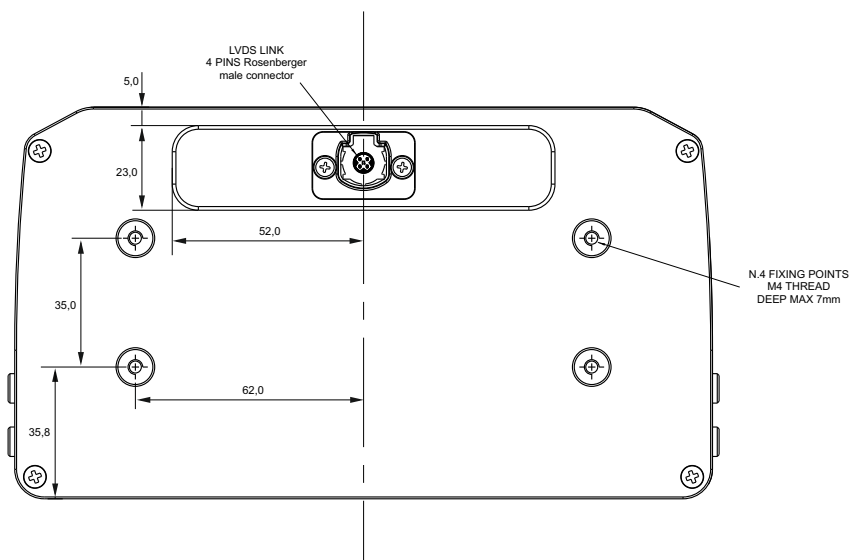
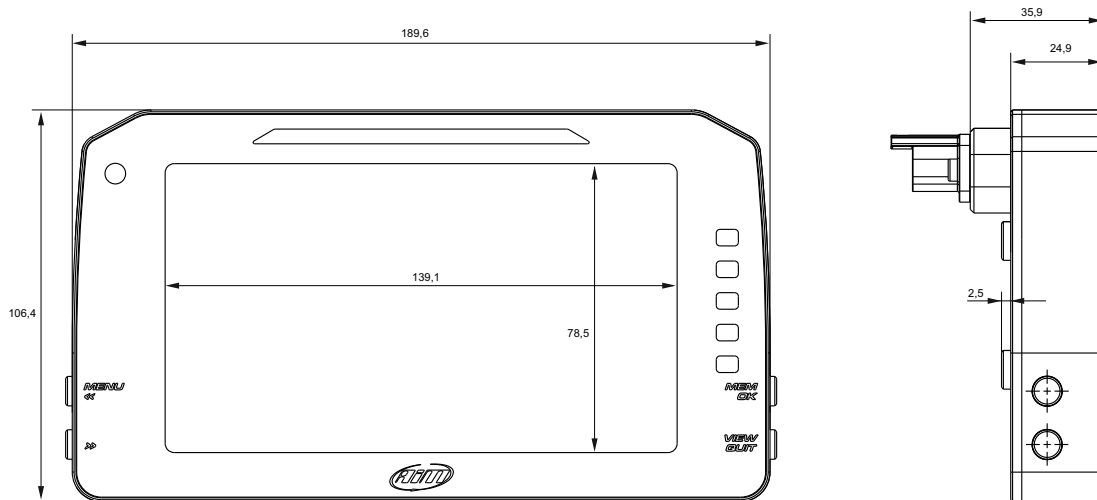
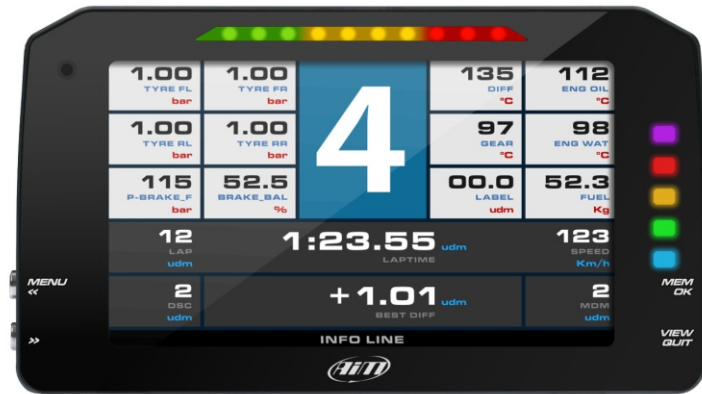




AiM PDM Dash 6"

TFT Display for PDM modules





AiM PDM Dash 6"

TFT Display for PDM modules

Technical specifications

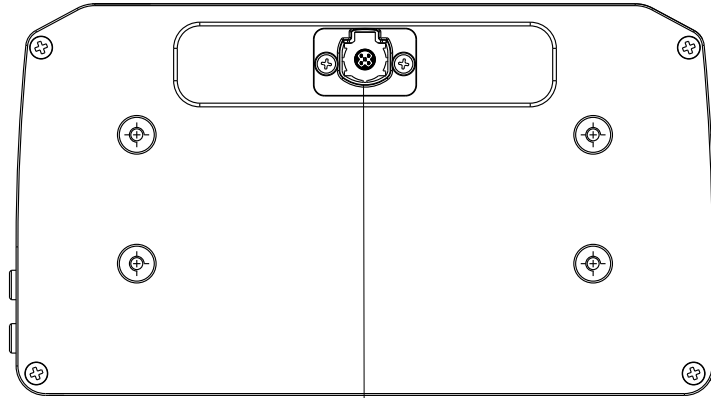
Display	6" TFT
Resolution	800x480 pixels
Contrast	600:1
Brightness	700cd/m2 - 1,100 Lumen
Ambient light sensor	Yes
Status information LEDs	5
Shift Lights LEDs	10
Body	Anodized Aluminum
Pushbuttons	Metallic
Connectors	LVDS Link 4 Pins Rosenberger male connector
Dimensions	189.6 x 106.4 x 24.9 mm
Weight	640 g
Power consumption	150 mA
Waterproof	IP65



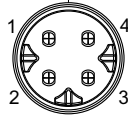
AiM PDM Dash 6"

TFT Display for PDM modules

Pinout



LVDS LINK
4 PINS Rosenberger
male connector
(external view)



- 1 - Ground
- 2 - Serial Data +
- 3 - +V Power
- 4 - Serial Data -