

SPECIFICATIONS FOR STANDARD

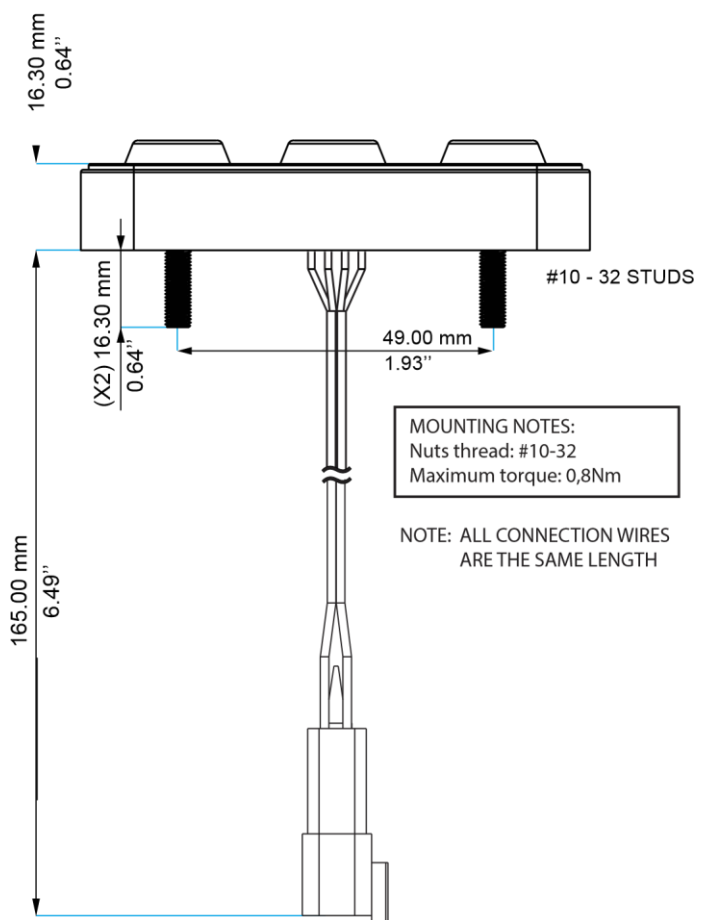
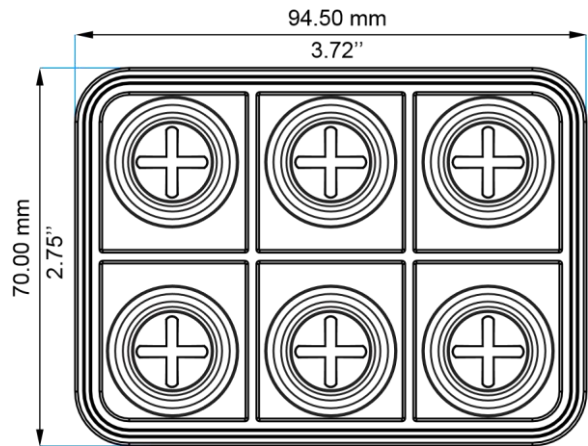
KEYPADS

Supply Voltage	12-24Vdc Nominal (8-32VDC)
Standby Current	<50 mA
Communication BUS	CAN
MTBF	239870 hours (in accordance with MIL-HDBK-217 – operating environment Ground Mobile)

MECHANICAL

Connector	Deutsch DT04-4P
Switch Life	3 million operations
Mounting Studs	#10-32 Steel
Keypad	Silicone rubber with polyurethane hardcoat
PC Board	1,6mm thick, Nema Grade FR-4, double clad with 1oz copper
Operating Temperature	-40°C to +70°C
Storage Temperature	-40°C to +85°C
Thermal Shock	-40°C to +85°C According to table 2 of ISO16750-4
UV Protection	UVB 400 hours
Salt Spray	Per ASTM B117
Chemical Resistance	Deet, Engine Cleaner, Isopropyl Alcohol, Suntan Lotion, Multi-Purpose Cleaner, Orange Citrus Cleaner, Muriatic Acid
Ingress protection Rating	IP67/IP69K

ELECTRICAL



6 Key Keypad LED & Backlight Setup

The screenshot shows the configuration interface for a PDM32 6N Keypad. The main menu includes options like Save, Share As, Close, and Transmit. The Channels section is set to ECU Stream, CAN2 Stream, CAN Expansions, Math Channels, Status Variables, Parameters, Shift Lights and Alarms, Trigger Commands, Power Outputs, Icons Manager, Display, Start/Can Stream, and CAN Output.

Under the CAN 1 output, the Bit Rate Protocol (bits) is set to 1000. The CAN ID (hex) is 0x1B0. The data is organized into 8 bytes (Byte 0 to Byte 7). A dashed blue box highlights the configuration for Byte 6 and Byte 7, which are both set to 'STATIC VALUE: 1' and 'STATIC VALUE: 7' respectively. An 'Export' button is located below the byte list.

Two dialog boxes are shown:

- Set CAN Output Data:** This dialog is used to configure the output for a specific byte. It shows 'Num Bits' set to 1 bit. The 'Use static value' option is selected, with a value of 8 entered. The 'Use control' option is unselected. Buttons for OK, Done, and Cancel are present.
- Assign Key No to Key LEDs:** This dialog is used to assign a key number to a specific LED. It shows 'Num Bits' set to 1 bit. The 'Use channel' option is selected, with 'K3 39/91' chosen from a dropdown. The 'Mapset (0) Center (0)' is set to 1. The 'Use static value' and 'Use control' options are unselected. Buttons for OK, Done, and Cancel are present.

At the bottom right, there is a 'Backlight Colour' section with a 'Color table:' containing the following entries:

Code	Color
00h	OFF
01h	Red
02h	Green
03h	Blue
04h	Yellow
05h	Cyan
06h	Violet
07h	White/light blue
08h	Amber/orange
09h	Yellow/green

Blue arrows indicate the flow of configuration: one arrow points from the 'Backlight Brightness (0 - 63)' label to the 'Use static value' field in the 'Set CAN Output Data' dialog, and another arrow points from the 'Backlight Colour' section to the 'Mapset (0) Center (0)' field in the 'Assign Key No to Key LEDs' dialog.