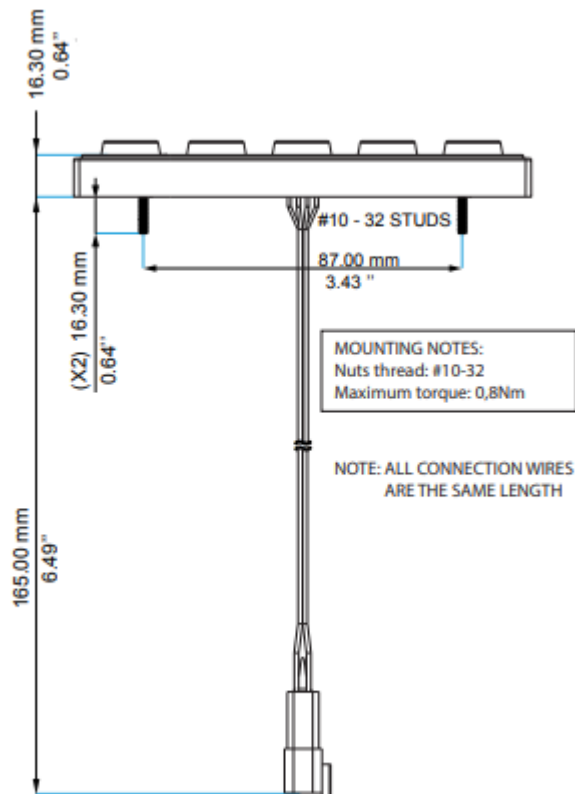
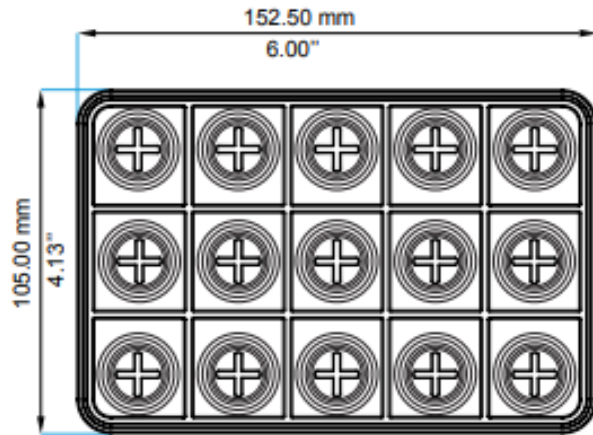


Supply Voltage	12-24Vdc Nominal (8-32VDC)
Standby Current	<50 mA
Communication BUS	CAN
MTBF	239870 hours (in accordance with MIL-HDBK-217 – operating environment Ground Mobile)

MECHANICAL

Connector	Deutsch DT04-4P
Switch Life	3 million operations
Mounting Studs	#10-32 Steel
Keypad	Silicone rubber with polyurethane hardcoat
PC Board	1,6mm thick, Nema Grade FR-4, double clad with 1oz copper
Operating Temperature	-40°C to +70°C
Storage Temperature	-40°C to +85°C
Thermal Shock	-40°C to +85°C According to table 2 of ISO16750-4
UV Protection	UVB 400 hours
Salt Spray	Per ASTM B117
Chemical Resistance	Deet, Engine Cleaner, Isopropyl Alcohol, Suntan Lotion, Multi-Purpose Cleaner, Orange Citrus Cleaner, Muriatic Acid
Ingress protection Rating	IP67/IP69K



15 Key Keypad LED & Backlight Setup

Set CAN Payload Details

Num Bytes: 1 byte

Use channel
 Use static value: 8
 Use counter: step 0, start 0, end 0

OK Delete Cancel

Color table:

Code	Color
00h	OFF
01h	Red
02h	Green
03h	Blue
04h	Yellow
05h	Cyan
06h	Violet
07h	White/light blue
08h	Amber/orange
09h	Yellow/green

Backlight Colour

Backlight Brightness (0 – 63)

PDM32 15W Keypad

Save Save As Close Transmit

Channels ECU Stream CAN2 Stream CAN2 Keypad CAN Expansions Math Channels Status Variables Parameters Shift Lights and Alarms Trigger Commands Power Outputs Icons Manager Display SmartCam Stream CAN Output

Can 1 Can 2

Bit Rate Protocol (bits) 1 M. bits

When the selected ECU protocol frequency must be set to 1 M bits and cannot be changed

CAN ID (hex)	Byte 0	Byte 1	Byte 2	Byte 3	Byte 4	Byte 5	Byte 6	Byte 7
0x205	K1 Tog	K2 Tog	K3 Tog	K4 Tog	K5 Mom	STATIC VALUE: '1'	STATIC VALUE: '7'	[EH] -- NO OUTPUT --
0x22F	K6 Tog	K7 Tog	K8 Tog	K9 Tog	K10 Mom	STATIC VALUE: '0'	[EH] -- NO OUTPUT --	[EH] -- NO OUTPUT --
0x259	K11 Tog	K12 Tog	K13 Tog	K14 Tog	K15 Mom	[EH]	-- NO OUTPUT --	[EH]

+ Add New Payload

Export Import

Assign Key No to Key LEDs

Button LED Brightness (0 – 63)

Set CAN Payload Details

Num Bytes: 1 byte

Use channel
 Use static value: 0
 Use counter: step 0, start 0, end 0

K3 Tog (M)

Multiplier (a): 1
Offset (b): 0

OK Delete Cancel