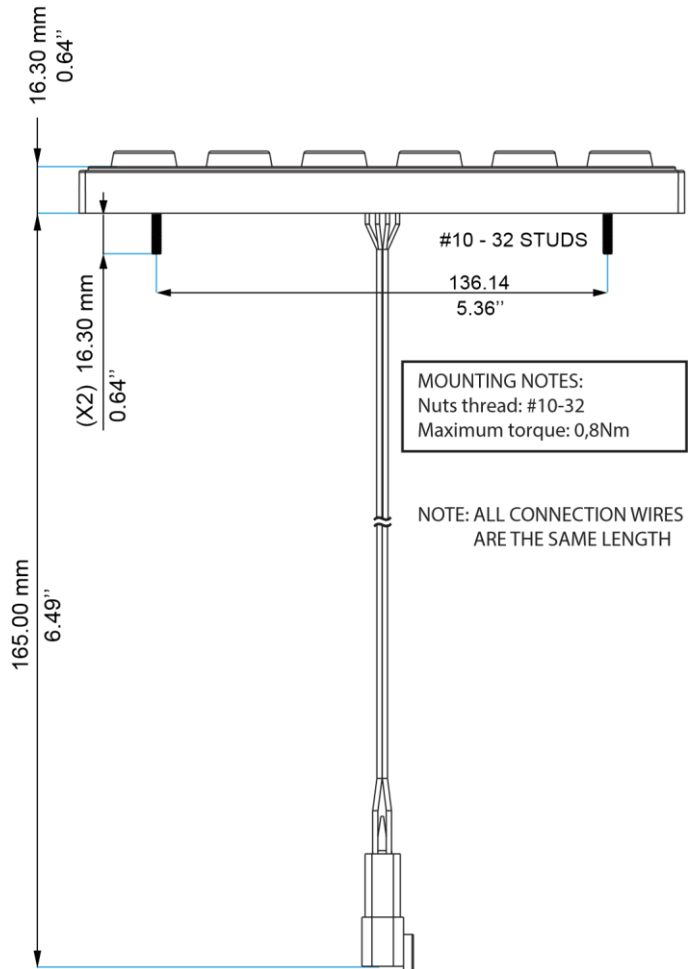
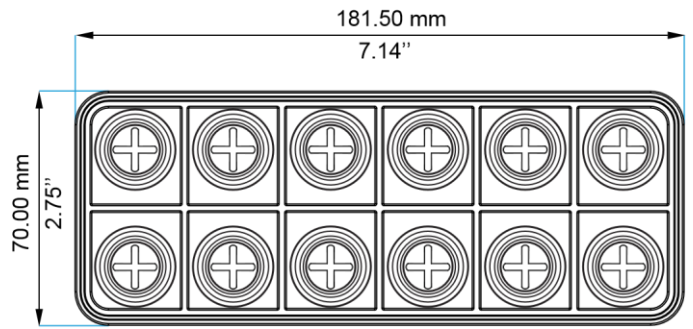


ELECTRICAL	
Supply Voltage	12-24Vdc Nominal (8-32VDC)
Standby Current	<50 mA
Communication BUS	CAN
MTBF	204291 hours (in accordance with MIL-HDBK-217 – operating environment Ground Mobile)
MECHANICAL	
Connector	Deutsch DT04-4P
Switch Life	3 million operations
Mounting Studs	#10-32 Steel
Keypad	Silicone rubber with polyurethane hardcoat
PC Board	1,6mm thick, Nema Grade FR-4, double clad with 1oz copper
Operating Temperature	-40°C to +70°C
Storage Temperature	-40°C to +85°C
Thermal Shock	-40°C to +85°C According to table 2 of ISO16750-4
UV Protection	UVB 400 hours
Salt Spray	Per ASTM B117
Chemical Resistance	Deet, Engine Cleaner, Isopropyl Alcohol, Suntan Lotion, Multi-Purpose Cleaner, Orange Citrus Cleaner, Muriatic Acid
Ingress protection Rating	IP67/IP69K



12 Key Keypad LED & Backlight Setup

The screenshot shows the configuration interface for a PDM32 12W Keypad. The main window is titled "PDM32 12W Keypad" and has tabs for "Save", "Save As", "Close", and "Transfer". Below the title bar are several menu options: "Channels", "ECU Stream", "CAN2 Stream", "CAN Expansions", "Math Channels", "Status Variables", "Parameters", "Shift Lights and Alarms", "Trigger Commands", "Power Outputs", "Kons Manager", "Display", "SmartCam Stream", and "CAN Output".

The "CAN 1" tab is active, showing a "Bit Rate Protocol (bits)" dropdown set to "110 000". Below this is a table mapping CAN IDs to key IDs:

CAN ID (hex)	Byte 0	Byte 1	Byte 2	Byte 3	Byte 4	Byte 5	Byte 7
0x180	K1 Togg	K2 Togg	K3 Togg	K4 Togg	K5 Togg	STATIC VALUE '1'	STATIC VALUE 'B'
0x190	K7 Togg	K8 Togg	K9 Togg	K10 Togg	K11 Togg	K12 012	NR - NO OUTPUT

Below the table is a "Name" column with "Export" and "Import" buttons. A dashed box highlights the first two rows of the table. A blue arrow points from the "Name" column to the "Backlight Colour" dropdown menu on the right. Another blue arrow points from the "Name" column to the "Button LED Brightness (0 - 63)" dropdown menu at the bottom.

On the right side, there are two "Set CAN Keypad Detail" dialog boxes. The top one is for "Num Bits" (set to 110) and has radio buttons for "Use ECU value" and "Use static value" (selected). The bottom one is for "Backlight Colour" and has radio buttons for "Use ECU value" and "Use static value" (selected). Below these is a "Color table:" with the following entries:

Code	Color
00h	OFF
01h	Red
02h	Green
03h	Blue
04h	Yellow
05h	Cyan
06h	Violet
07h	White/light blue
08h	Amber/orange
09h	Yellow/green

At the bottom, there is a "Set CAN Keypad Detail" dialog box for "Num Bits" (set to 110) and "Assign Key No to Key LEDs". It has radio buttons for "Use channel" (selected), "Use static value", and "Use number". Below these are fields for "Wakeup (B)", "Clock (B)", "LED", and "LED".