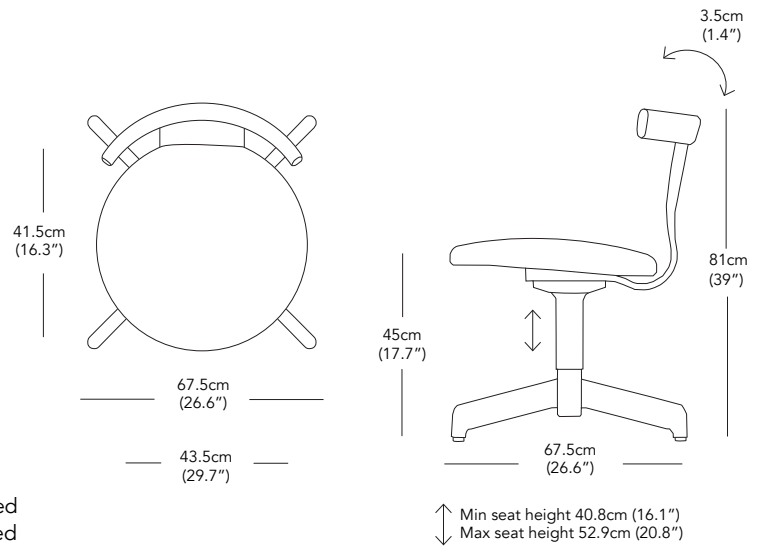


Resident

Jiro Swivel Chair

Upholstered

Designer- John Tree / 2020



PRODUCT DESCRIPTION
Upholstered Work Chair

PRODUCT CODE

JIR001NWU - Jiro Swivel Chair, Natural, White Base, Upholstered
 JIR001NBU - Jiro Swivel Chair, Natural, Black Base, Upholstered
 JIR001BWU - Jiro Swivel Chair, Black, White Base, Upholstered
 JIR001BBU - Jiro Swivel Chair, Black, Black Base, Upholstered

MATERIALS

Oak Veneer, Cast Aluminium, Foam, Plastic

PACKAGED DIMENSIONS

1 per box

COLOUR OPTIONS

Natural Back, Upholstered Seat with White Stem and Base
 Natural Back, Upholstered Seat with Black Stem and Base
 Black Back, Upholstered Seat with White Stem and Base
 Black Back, Upholstered Seat with Black Stem and Base

L W H

53 x 53 x 80cm 0.22 m³
 20.9 x 20.9 x 31.5 " 10.67 ft³

PACKAGED WEIGHT

9.5 kg

lbs

PRODUCT ENVIRONMENT

Indoor Use Only

PRODUCT WEIGHT

7.5 kg

lbs

APPROPRIATE FOR HARD CONTRACT USE

Yes

WARRANTY

5 Years

www.resident.co.nz/downloads

www.resident.co.nz/assistance

UPHOLSTERY OPTIONS

Maharam Mode

Camira Synergy

Camira Mainline Flax

Kvadrat Hallingdal 65

Sorensen Shade

80% Recycled Polyester, 20% Polyester, 100,000 Martindale

95% Virgin Wool, 5% Polyamide, 100,000 Martindale

70% Virgin Wool, 30% Flax, 50,000 Martindale

70% New Wool, 30% Viscose, 100,000 Martindale

100% Full Protected Aniline Leather

UPHOLSTERY USAGE

Fabric - 0.6 m (0.7 yd)

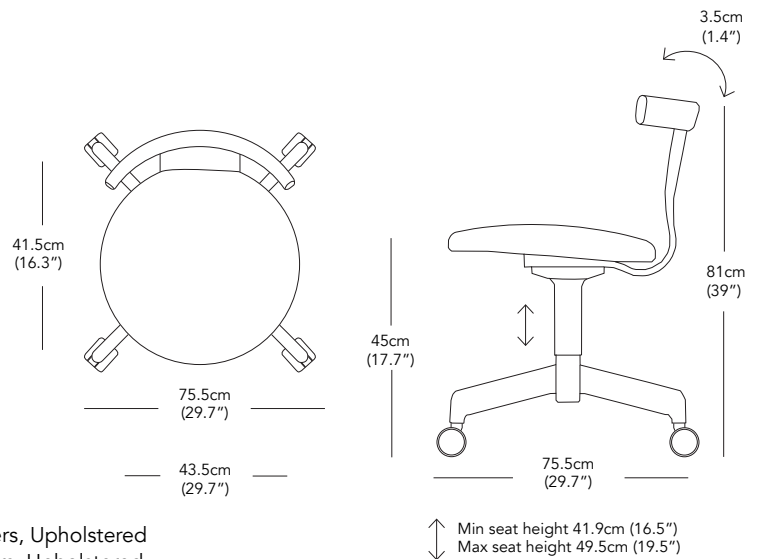
Leather - 1 m² (11 ft²)

Resident

Jiro Swivel Chair

Upholstered with Casters

Designer- John Tree / 2020



PRODUCT DESCRIPTION
Upholstered Work Chair

PRODUCT CODE

- JIR001NWCU - Jiro Swivel Chair, Natural, White Base with Casters, Upholstered
- JIR001NBCU - Jiro Swivel Chair, Natural, Black Base with Casters, Upholstered
- JIR001BWCU - Jiro Swivel Chair, Black, White Base with Casters, Upholstered
- JIR001BBCU - Jiro Swivel Chair, Black, Black Base with Casters, Upholstered

MATERIALS

Oak Veneer, Cast Aluminium, Foam, Plastic

COLOUR OPTIONS

- Natural Back, Upholstered Seat with White Stem and Base
- Natural Back, Upholstered Seat with Black Stem and Base
- Black Back, Upholstered Seat with White Stem and Base
- Black Back, Upholstered Seat with Black Stem and Base

PRODUCT ENVIRONMENT

Indoor Use Only

APPROPRIATE FOR HARD CONTRACT USE

Yes

WARRANTY

5 Years

www.resident.co.nz/downloads

www.resident.co.nz/assistance

PACKAGED DIMENSIONS

1 per box

L W H

53 x 53 x 80cm 0.22 m³

20.9 x 20.9 x 31.5 '' 7.94 ft³

PACKAGED WEIGHT

10.1 kg

22.3 lbs

PRODUCT WEIGHT

8.1 kg

17.9 lbs

UPHOLSTERY OPTIONS

Maharam Mode

Camira Synergy

Camira Mainline Flax

Kvadrat Hallingdal 65

Sorensen Shade

80% Recycled Polyester, 20% Polyester, 100,000 Martindale

95% Virgin Wool, 5% Polyamide, 100,000 Martindale

70% Virgin Wool, 30% Flax, 50,000 Martindale

70% New Wool, 30% Viscose, 100,000 Martindale

100% Full Protected Aniline Leather

UPHOLSTERY USAGE

Fabric - 0.6 m (0.7 yd)

Leather - 1 m² (11 ft²)