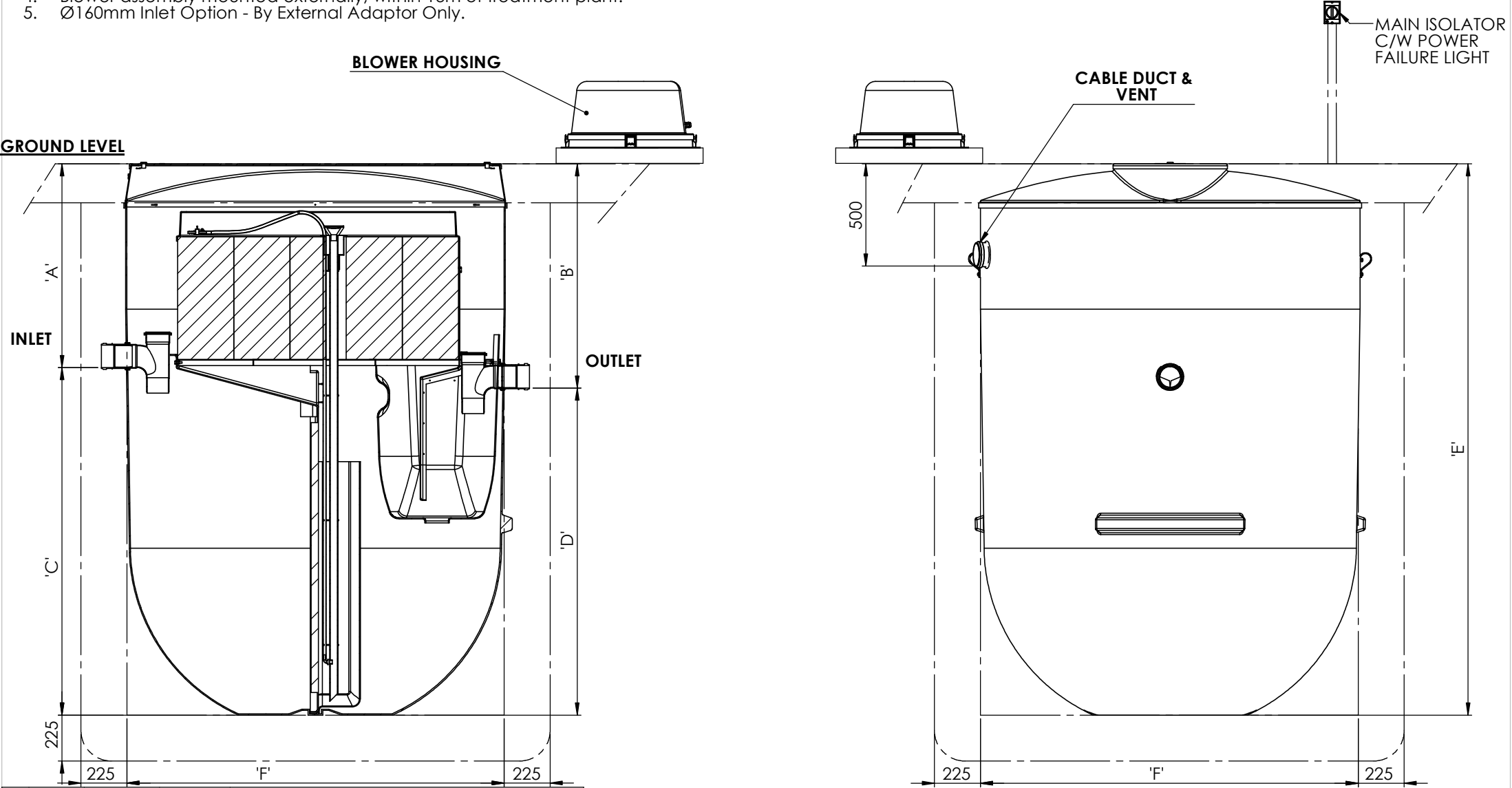


Notes:

1. This drawing is for 'Dimensional Information Only'. It is essential that this drawing is read in conjunction with the 'Installation Guidelines' supplied with the unit. (Copies available from our sales department).
2. All Pipe connections are $\varnothing 110.0\text{mm PVCu}$.
3. All units require appropriate 'Cover' & 'Frame' to suit site loadings (standard cover supplied).
4. Blower assembly mounted externally, within 13m of treatment plant.
5. $\varnothing 160\text{mm}$ Inlet Option - By External Adaptor Only.

Unit Dimension Chart								
Unit	Dim 'A' (mm)	Dim 'B' (mm)	Dim 'C' (mm)	Dim 'D' (mm)	Dim 'E' (mm)	Dim 'F' (mm)	Dim 'G' (mm)	Unit Weight (Kgs)
BTAU2G2AK	1000	1100	1700	1600	2700	1850	500	275
BTAU2G4AK	1500	1600	1700	1600	3200	1850	500	295
BTAU3G2AK	1000	1100	1700	1600	2700	1850	500	275
BTAU3G4AK	1500	1600	1700	1600	3200	1850	500	295



Please check with Clearwater that this drawing is the latest issue				
Issue	Date	Drawn by	Approved by	Description
01	22.08.22	D. Musvaburi	D.M	Initial Issue - ECN 1624

LN Number :	Tolerance :
Finish :	Thickness : n/a
Weight : 1270.55 Kg Kgs	Surface Area :
Modelled By :	Material : Various

Drawing : DS1384B	
BTAU2 & BTAU3 Treatment Plant (Gravity)	

All dimensions in mm

Scale: Not to scale

Clearwater reserve the right to alter the details of this drawing without prior notice. This drawing is copyright and may not be reproduced or used without the written permission of Clearwater.

A:\Dept\Wastewater\Engineering\Drawing Data\02 - Sales Drawings\DS\DS - 13\DS1384B