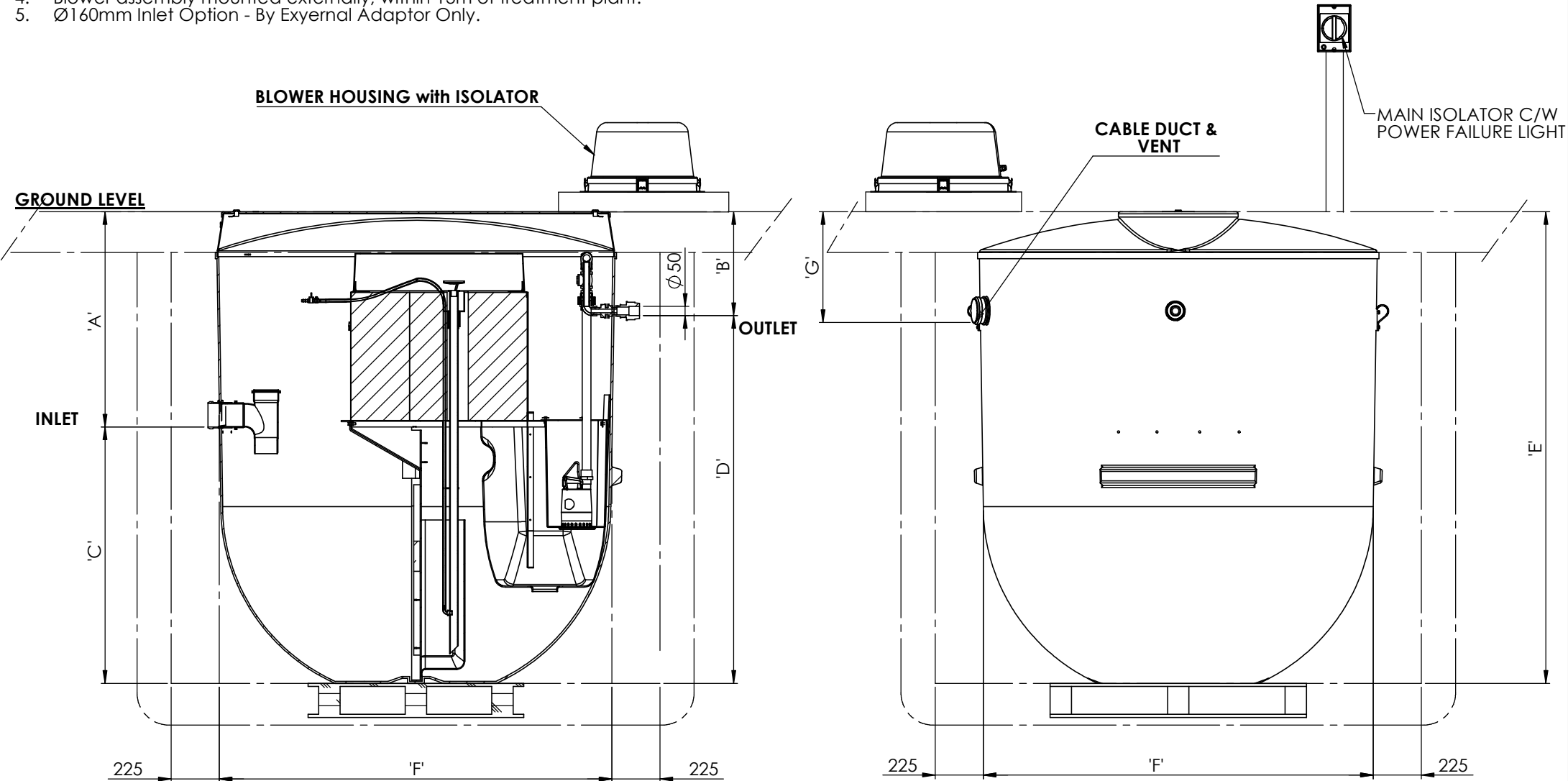


Notes:

1. This drawing is for 'Dimensional Information Only'. It is essential that this drawing is read in conjunction with the 'Installation Guidelines' supplied with the unit. (Copies available from our sales department).
2. All Pipe connections are $\varnothing 110.0\text{mm}$ PVCu.
3. All units require appropriate 'Cover' & 'Frame' to suit site loadings (standard cover supplied).
4. Blower assembly mounted externally, within 13m of treatment plant.
5. $\varnothing 160\text{mm}$ Inlet Option - By Exyernal Adaptor Only.

Unit Dimension Chart								
Unit	Dim 'A' (mm)	Dim 'B' (mm)	Dim 'C' (mm)	Dim 'D' (mm)	Dim 'E' (mm)	Dim 'F' (mm)	Dim 'G' (mm)	Unit Weight (Kgs)
BTA-1P2AB	1000	550	1200	1650	2200	1850	520	260
BTA-1P4AB	1500	550	1200	2150	2700	1850	520	280



Please check with Clearwater For The Latest Issue Of This Drawing				
Issue	Date	Drawn by	Approved by	Description
02	30/05/22	D. Musvaburi	D.M	ECN 1616
01	25/04/22	D. Musvaburi	D.M	ECN 1612 - Initial Issue

LN Number :	Tolerance :
Finish :	Thickness : n/a
Weight : 871.74 Kg Kgs	Surface Area :
Modelled By :	Material : Various

Drawing : DS1381B - BTA1 IPS	Page 1 of 1
BTA1 Treatment Plant (IPS)	

All dimensions in mm

Scale: Not to scale

Clearwater reserve the right to alter the details of this drawing without prior notice. This drawing is copyright and may not be reproduced or used without the written permission of Clearwater.

