



TENTSILE STAND

OWNERS INSTRUCTIONS

WARNING

RISK OF SERIOUS INJURY

MAXIMUM LOAD 400KG / 880LBS. DO NOT EXCEED MAXIMUM WEIGHT LOAD CAPACITY.

READ MANUAL BEFORE INSTALLATION AND USE

NO MORE LIMITS! YOU ARE NOW ABLE TO DISPLAY
OR ENJOY YOUR TREE TENT ANYWHERE!

PLEASE FOLLOW THESE INSTRUCTIONS
CAREFULLY FOR BEST RESULTS



FOR SAFETY REASONS, PLEASE REFRAIN FROM:

LEAVING CHILDREN UNATTENDED, JUMPING, BOUNCING, RUNNING AND
THE CONSUMPTION OF ALCOHOL OR DRUGS.

VISUALLY CHECK ALL COMPONENTS BEFORE EACH USE.

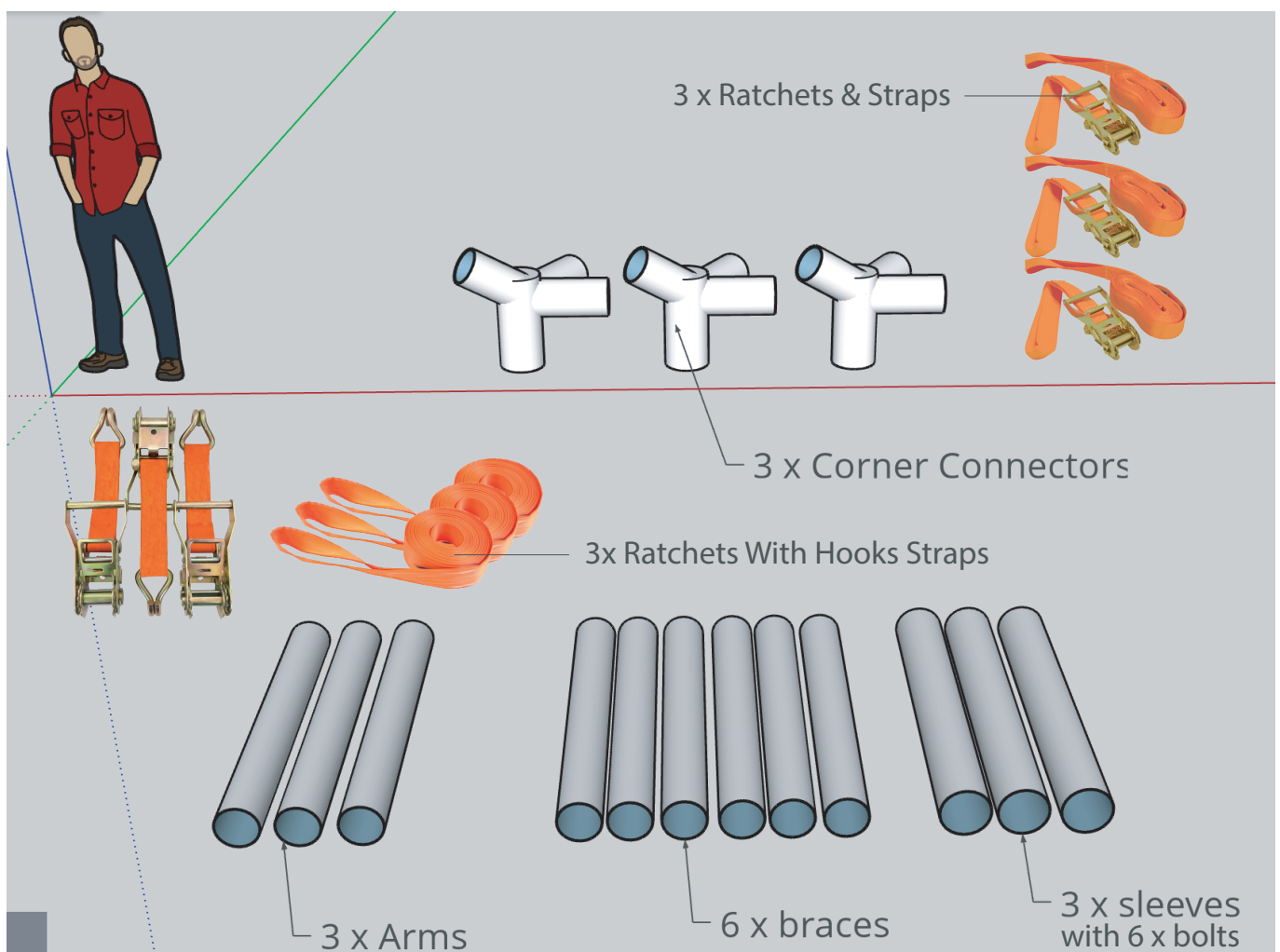


TENTSILE STAND

OWNERS INSTRUCTIONS

READ ALL INSTRUCTIONS CAREFULLY BEFORE USE
AND ONLY SET UP AS INSTRUCTED.

PLEASE NOTE: TWO PERSON SET UP IS EASIER



THE STAND CONSISTS OF 13 MAIN COMPONENTS:

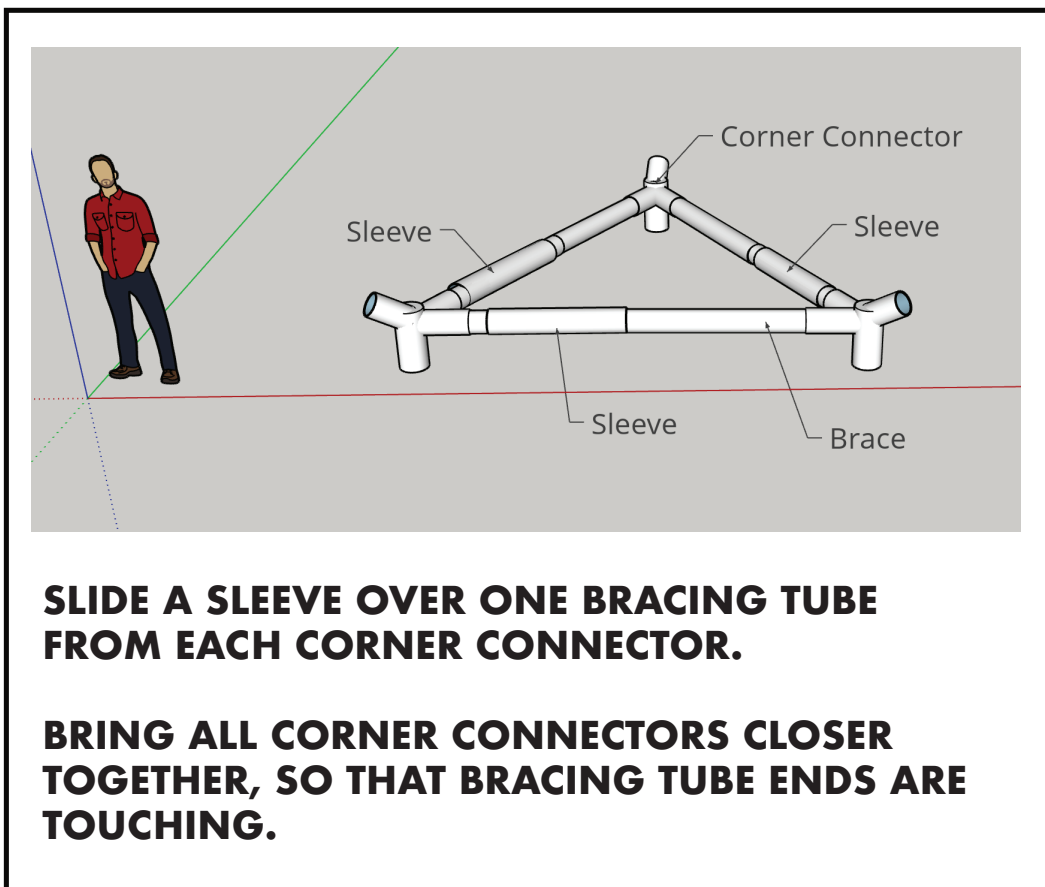
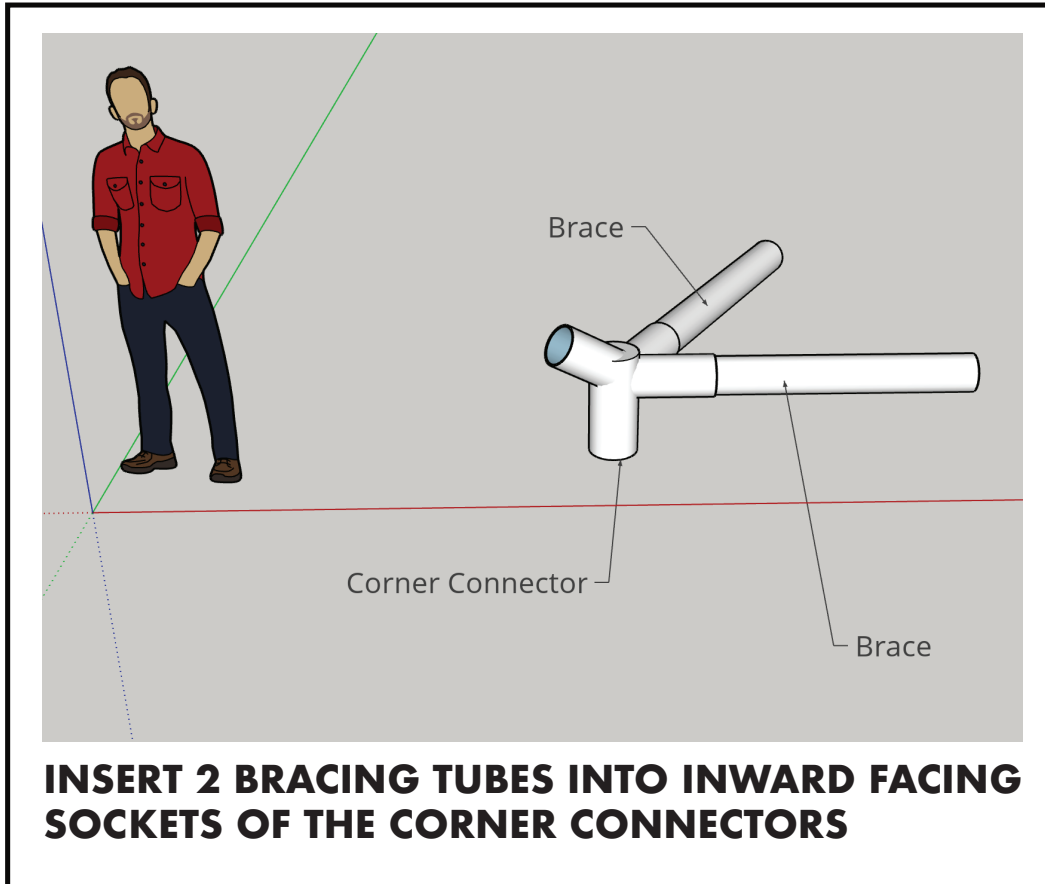
- 3 X CORNER CONNECTORS
- 3 X ARMS WITH PULLEY WHEELS ATTACHED
- 6 X BRACING TUBES
- 3 X SLEEVES WITH BOLTS



TENTSILE

TENTSILE STAND

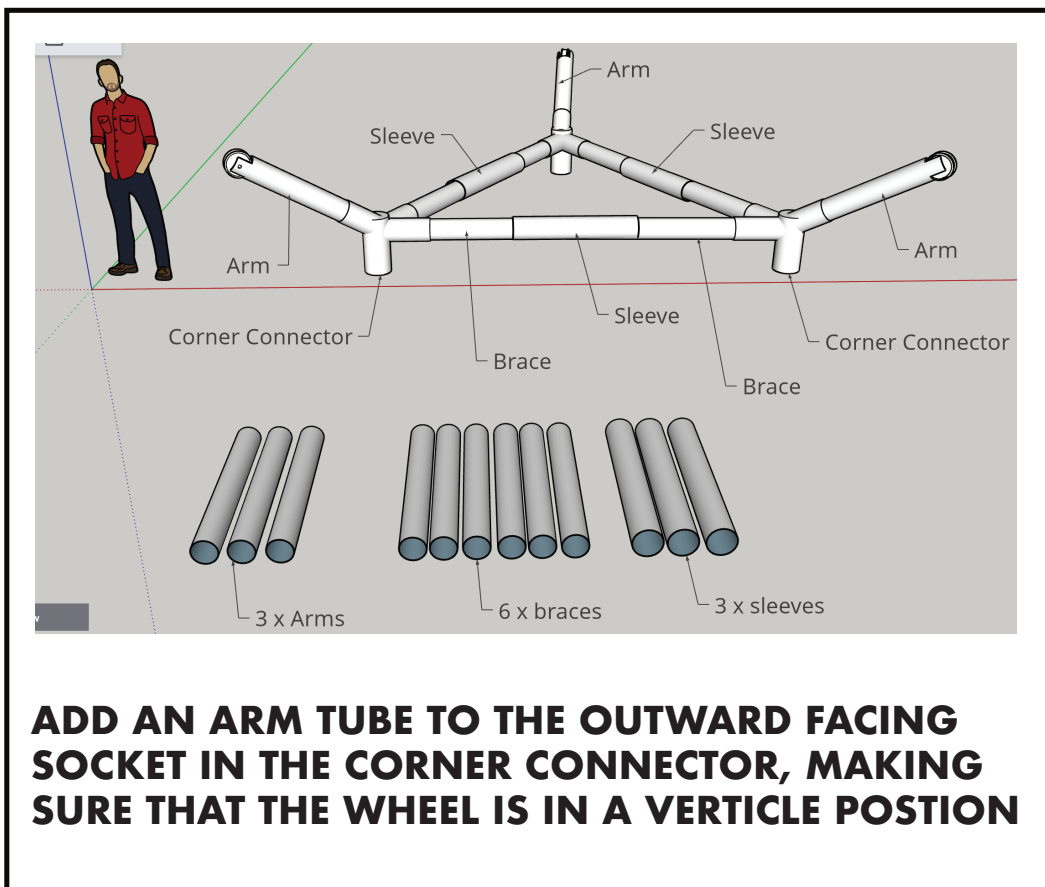
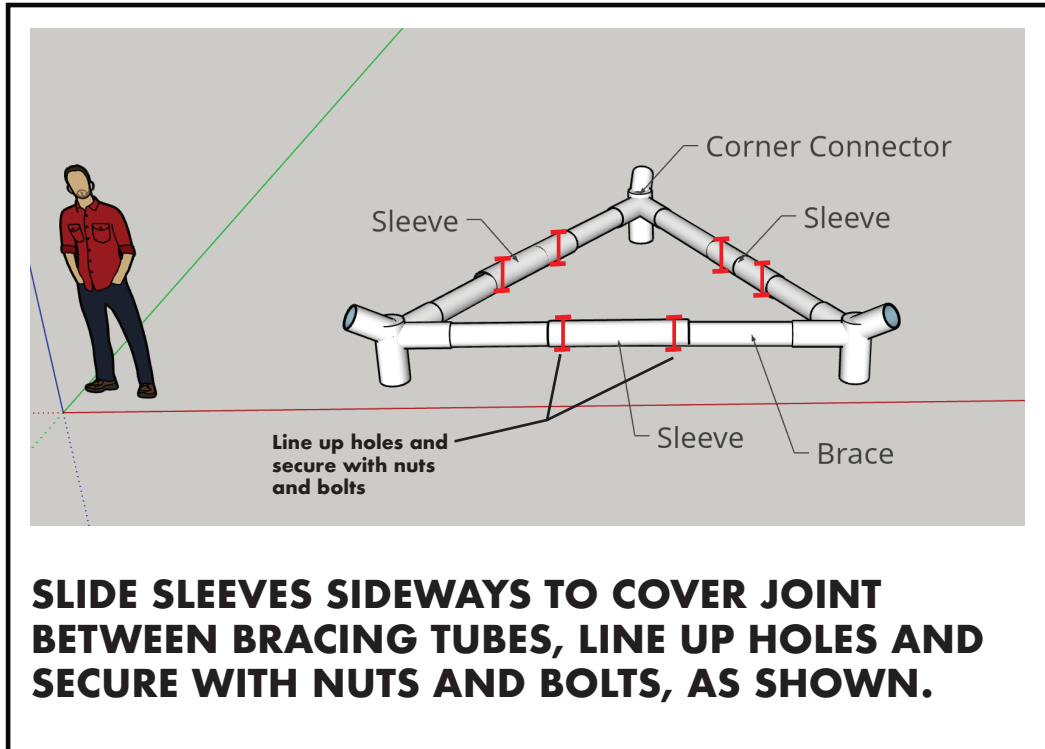
OWNERS INSTRUCTIONS

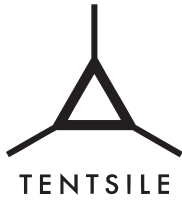




TENTSILE STAND

OWNERS INSTRUCTIONS

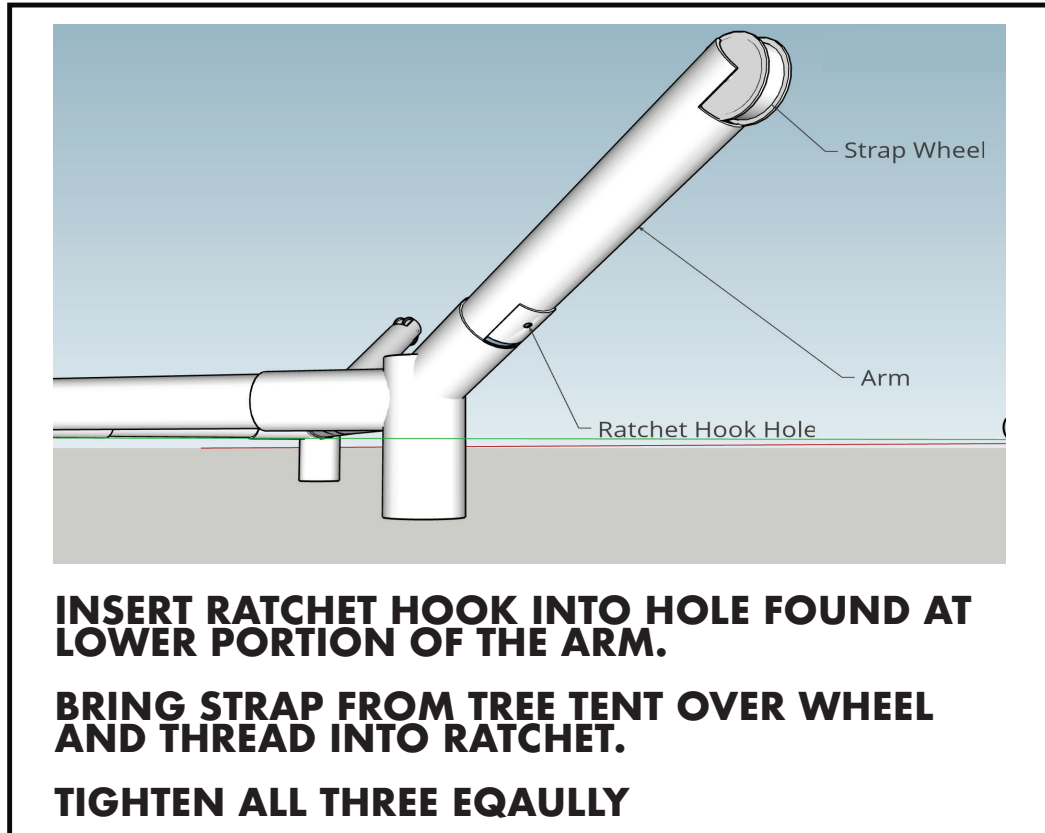




TENTSILE

TENTSILE STAND

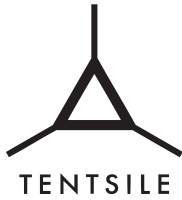
OWNERS INSTRUCTIONS



SPECIFICATIONS

- 3 POINT STAND FOR TENTSILE TREE TENTS*
- CORROSION RESISTANT AIRCRAFT ALUMINIUM
- 14mm STAINLESS STEEL NUTS AND BOLTS
- GROSS WEIGHT: 44KG / 98LBS
- SHIPPING SIZE: 160 X 78 X 40CM / 63 X 31 X 16"
- SET UP SIZE: 4.7 X 4.7 X 4.7M / 185 X 185 X 185"
- WEIGHT LIMIT: 400KG / 880LBS
- STAND SET UP TIME: 15 MINUTES

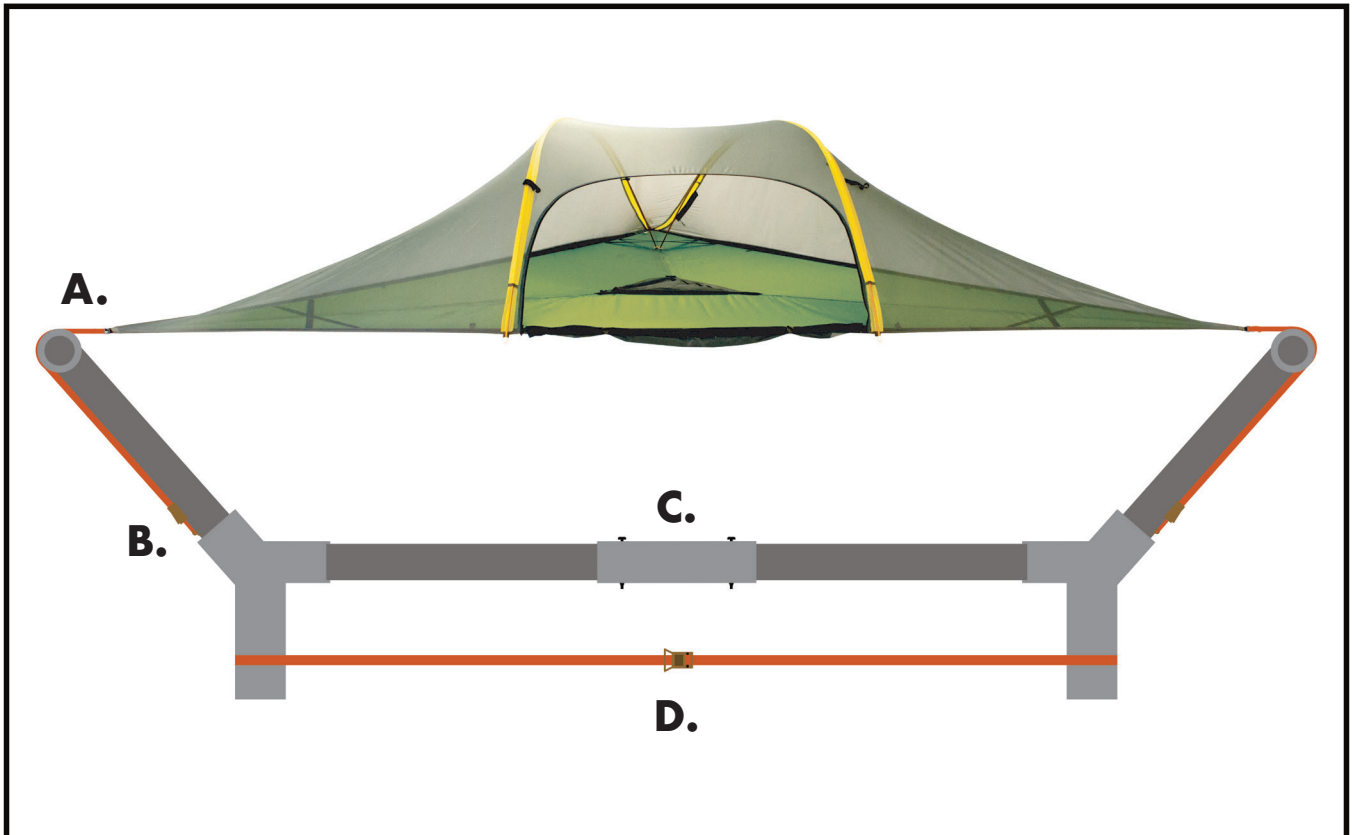
*NOT SUITABLE FOR TRILLIUM XL



TENTSILE

TENTSILE STAND

OWNERS INSTRUCTIONS



FINAL SET UP

- A. RATCHET STRAP
- B. RATCHET WITH HOOK END
- C. SLEEVE WITH BOLTS
- D. STANDARD RATCHET AND STRAP TIED AROUND LEGS TO STOP BENDING