

APSm

Automatic Self-priming Pump



Application

- Can be used to transfer clean water or other liquids similar to water in physical and chemical properties
- Suitable for small living water supply, automatic water sprinkler system, small air conditioner system or supporting equipment etc.

Pump

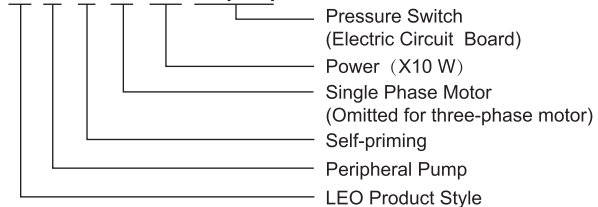
- 3-second time delay of pump start after plugging into the socket to avoid potential danger caused by electric sparks
- Automatic stop in 6 minutes in case of no water inside
- Automatic switching to small flow control system in condition of small water flow
- Automatic 10-second operation every 72 hours for anti-block protection in case of no use for long time
- Anti-freezing in low temperature environment by automatic start and stop control to maintain the water temperature inside pump between 4°C and 60°C
- LCD screen with on/off pressure setting, operation status and malfunction alarm
- Remote monitoring and controlling by computer or mobile phone

Motor

- C&U bearing
- Motor with copper winding
- Built-in thermal protector for single phase motor
- Insulation class: F
- Protection class: IPX4
- Max. ambient temperature: +40°C

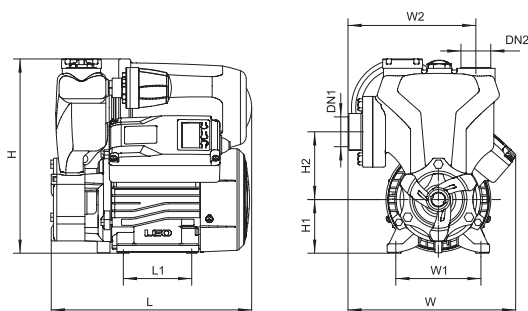
Identification Codes

A P S m 37 A (AE)



Technical Data

MODEL	POWER		Q (m ³ /h)	0	0.3	0.6	0.9	1.2	1.5	1.8	2.1	2.4	2.7	3.0
	kW	HP		Q (l/min)	0	5	10	15	20	25	30	35	40	45
APSm37AE	0.37	0.5	H (m)	40	35	30	25	20	15	10	5	-	-	-
APSm60AE	0.6	0.8		45	40	34	28	22	17	12	7	-	-	-
APSm75AE	0.75	1.0		55	49	43	37	30	25	20	14	7	1	-

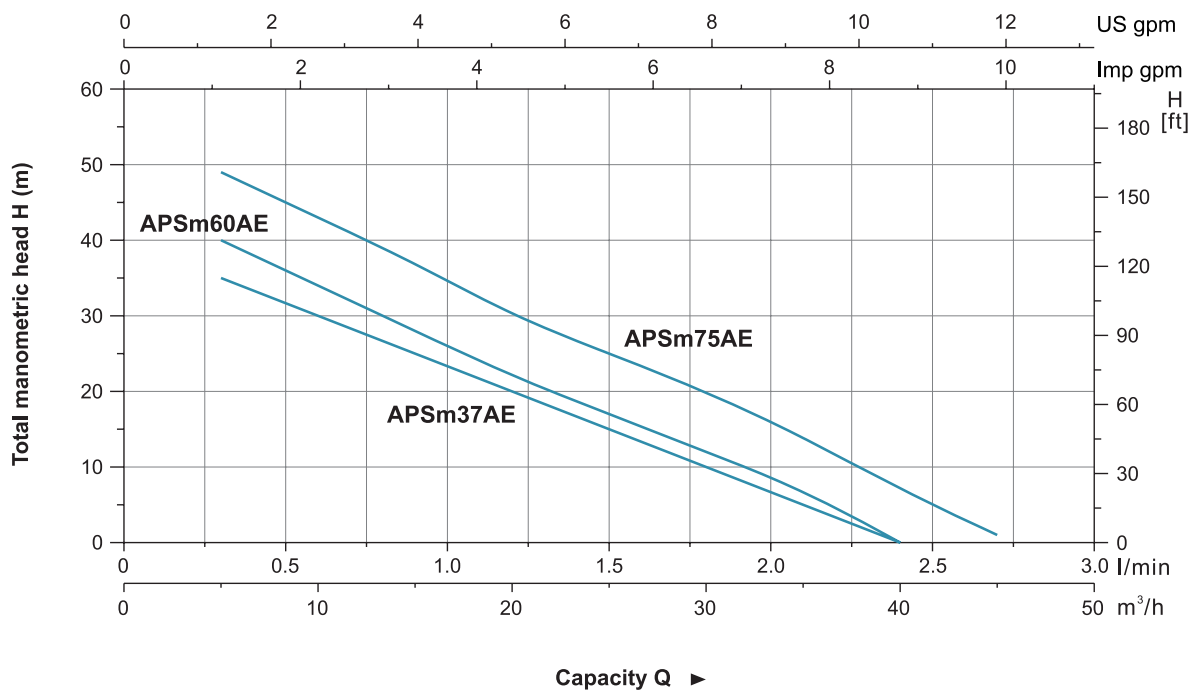


Dimension

Model	DN1	DN2	L (mm)	W (mm)	H (mm)	L ₁ (mm)	W ₁ (mm)	W ₂ (mm)	H ₁ (mm)	H ₂ (mm)
APSm37AE			235	198	228	80	100	150	63	80
APSm60AE	1"	1"	270	224	242	90	112	162	71	85
APSm75AE			270	224	242	90	112	162	71	85

2 YEAR WARRANTY

Hydraulic Performance Curves



Materials Table

No.	Part	Material
1	Pump cover	Brass
2	Impeller	Brass
3	Pump body	HT200
4	Mechanical seal	Carbon/Ceramic
5	Support	HT200
6	Bearing	
7	Rotor	
8	Fan cover	PP
9	Fan	PP
10	End plate	ZL102
11	Pressure sensor	
12	Gas tank	Iron
13	Cover the lid	ABS
14	Capacitance	
15	Cover box	ABS
16	Stator	
17	Pump head	PA66
18	Check-valve spring	AISI 304
19	Check valve	PPO
20	Inlet connection	HT200

