

ABK

Semi-open Impeller Stainless Steel Centrifugal Pump



Application

- Suitable for cleaning systems for production lines and transfer of liquid medium containing impurities

Pump

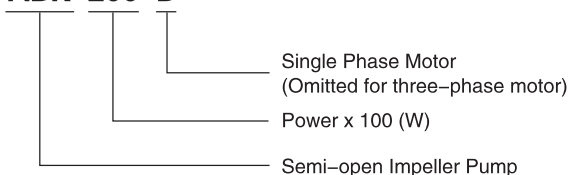
- AISI 304 pump body
- AISI 304 shaft
- Liquid temperature: -15°C ~ +80°C

Motor

- Motor with copper winding
- Built-in thermal protector for single phase motor
- Insulation class: F
- Protection class: IPX4
- Max. temperature: +40°C

Identification Codes

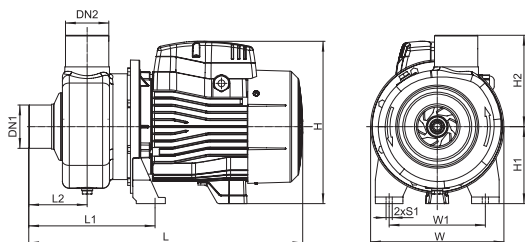
ABK 200 D



Technical Data

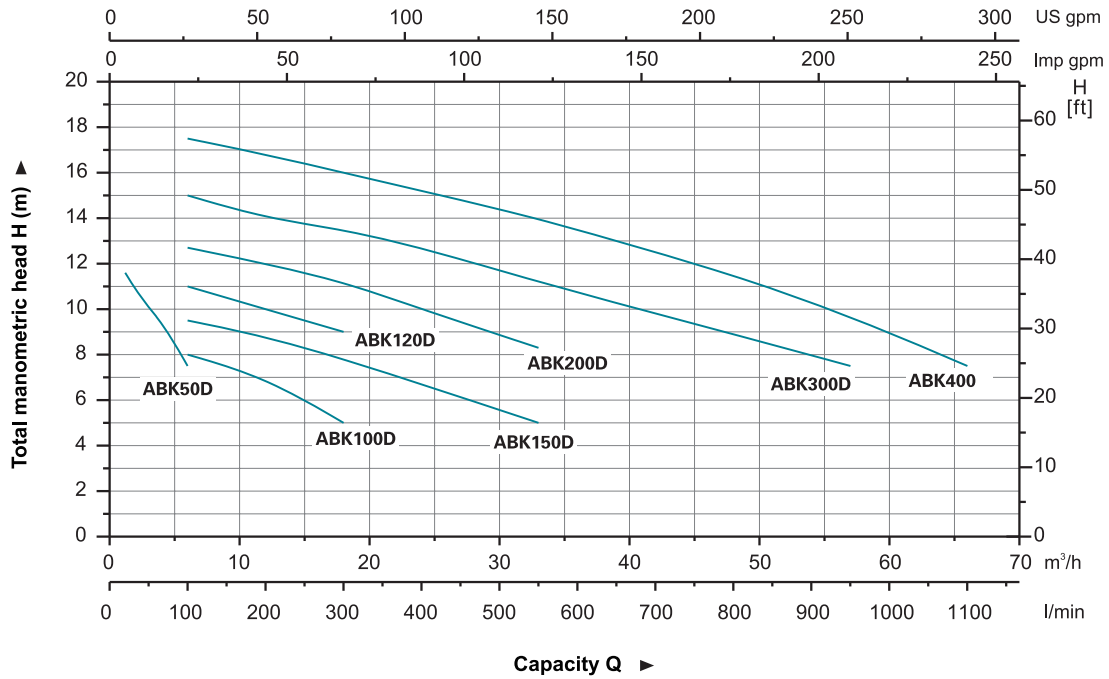
MODEL		POWER		Q (m ³ /h)	1.2	2.4	3.6	4.8	6	12	18	24	33	42	48	57	66	
Single Phase	Three Phase	kW	HP	Q (l/min)	20	40	60	80	100	200	300	400	550	700	800	950	1100	
ABK50D	ABK50	0.37	0.5	H (m)	11.6	10.5	9.7	8.7	7.5	-	-	-	-	-	-	-	-	
ABK100D	ABK100	0.75	1		-	-	-	-	8	7	5	-	-	-	-	-	-	-
ABK120D	ABK120	0.9	1.2		-	-	-	-	11	10	9	-	-	-	-	-	-	-
ABK150D	ABK150	1.1	1.5		-	-	-	-	9.5	8.8	7.8	6.7	5	-	-	-	-	-
ABK200D	ABK200	1.5	2		-	-	-	-	12.7	12	11.2	10	8.3	6.5	-	-	-	-
ABK300D	ABK300	2.2	3		-	-	-	-	15	14	13.5	12.7	11.2	9.8	8.9	7.5	-	-
-	ABK400	3	4		-	-	-	-	17.5	16.8	16	15.2	14	12.5	11.5	9.7	7.5	-

Dimension



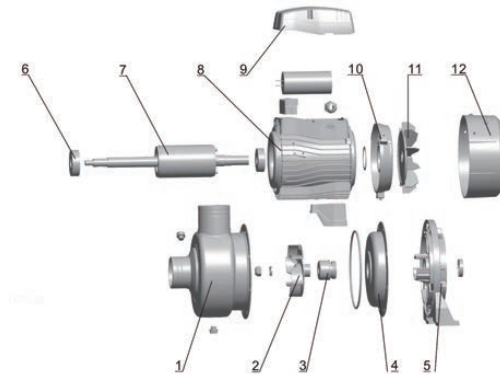
Model	Ports		L (mm)	L ₁ (mm)	L ₂ (mm)	H (mm)	H ₁ (mm)	H ₂ (mm)	W (mm)	W ₁ (mm)	S ₁ (mm)
	DN1	DN2									
ABK50(D)	1 1/4"	1"	280	123	50	180	90	106	170	105	9
ABK100(D)	1 1/2"	1 1/2"	332	160	76	212	100	118	170	120	9
ABK120(D)	1 1/2"	1 1/2"	332	160	76	212	100	118	170	120	9
ABK150(D)	2"	2"	400	184	85	235	112	133	195	140	9
ABK200(D)	2"	2"	400	184	85	235	112	133	195	140	9
ABK300(D)	2 1/2"	2"	450	184	85	252	117	133	195	140	9
ABK400	2 1/2"	2"	450	184	85	252	117	133	195	140	9

Hydraulic Performance Curves



Materials Table

No.	Part	Material
1	Pump body	AISI 304
2	Impeller	AISI 304
3	Mechanical seal	
4	Bracket cover	AISI 304
5	Support	ZL102
6	Bearing	
7	Rotor	
8	Stator	
9	Terminal box	PC/ABS
10	Rear cover	ZL102
11	Fan	PP-GF30
12	Fan cover	08F



ABK

1 YEAR WARRANTY