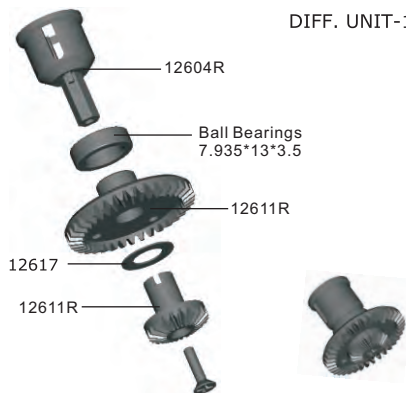
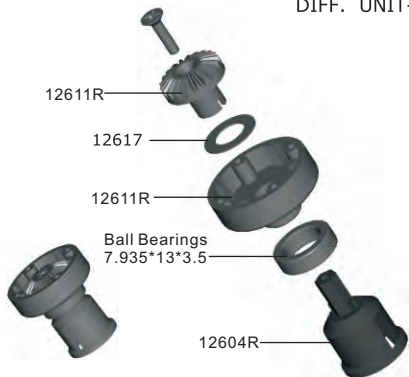


# EXPLODED VIEW-1

DIFF. UNIT-1



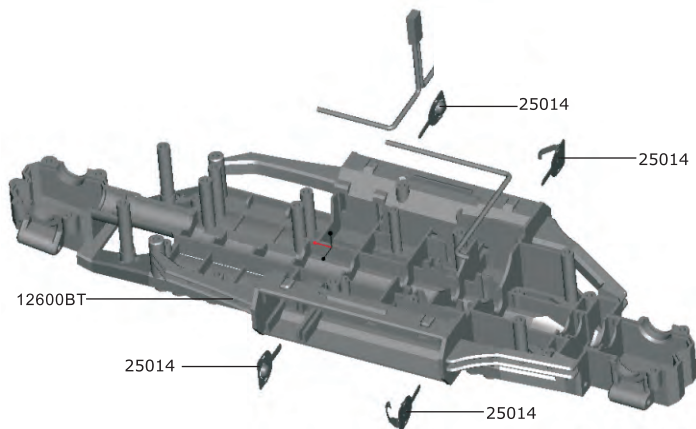
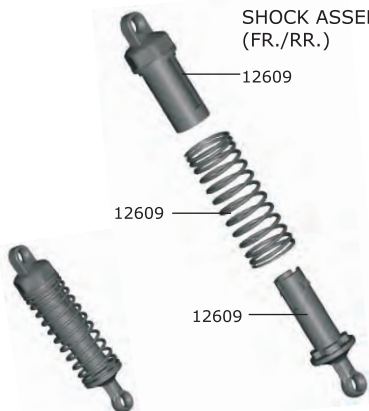
DIFF. UNIT-2



DIFF. ASSEMBLY



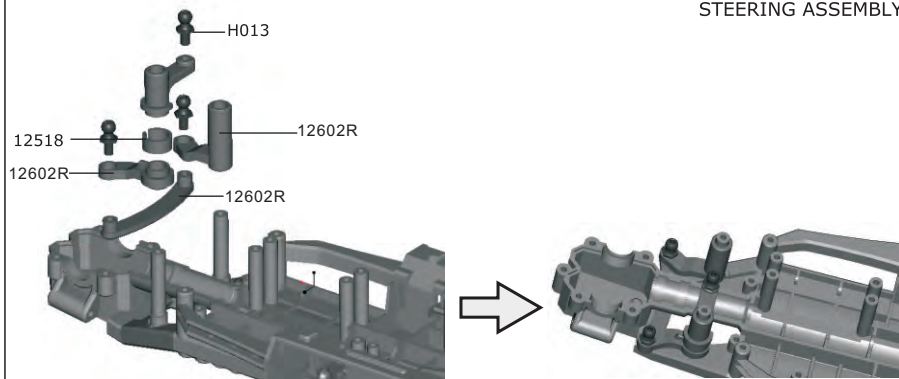
SHOCK ASSEMBLY  
(FR./RR.)



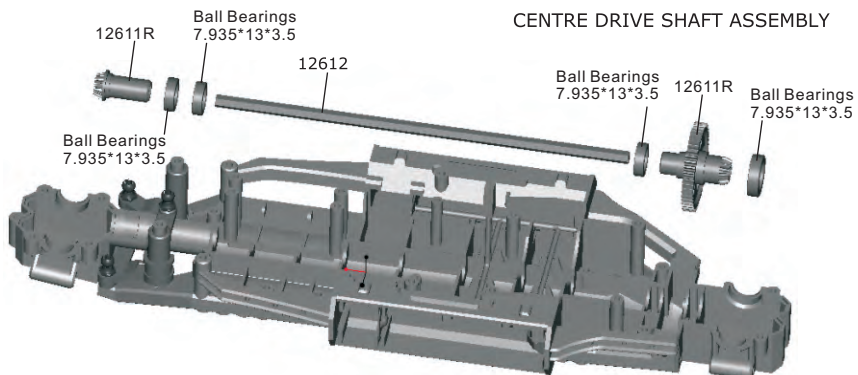
NOTE: THE PART IMAGES MAY VARY FROM THE ACTUAL PARTS.

## EXPLODED VIEW-2

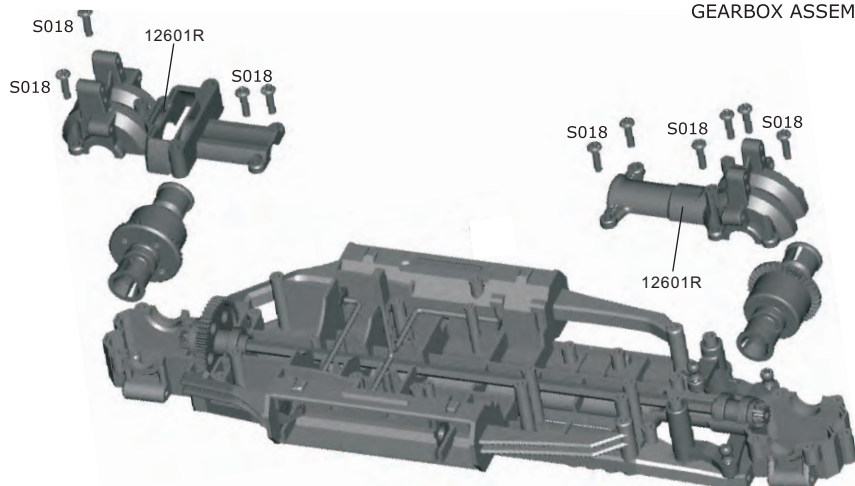
### STEERING ASSEMBLY



### CENTRE DRIVE SHAFT ASSEMBLY

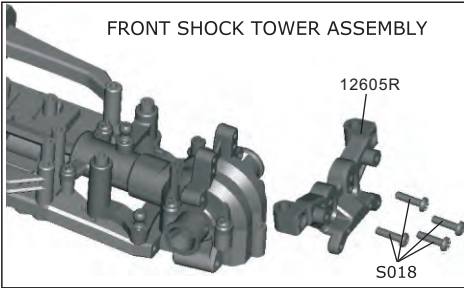


### GEARBOX ASSEMBLY

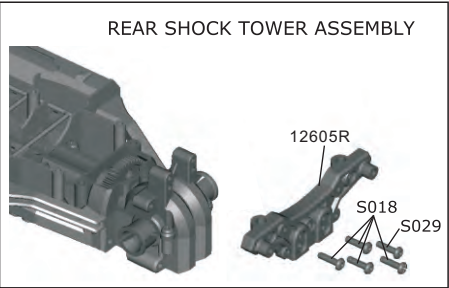


# EXPLODED VIEW-3

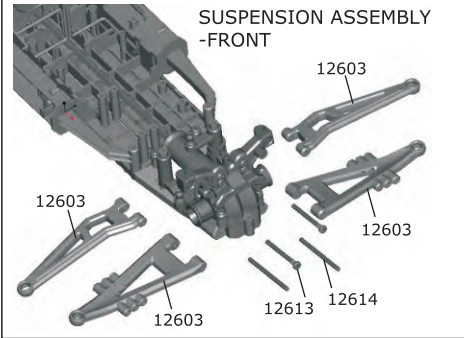
FRONT SHOCK TOWER ASSEMBLY



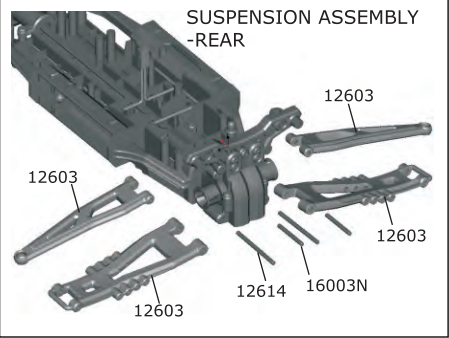
REAR SHOCK TOWER ASSEMBLY



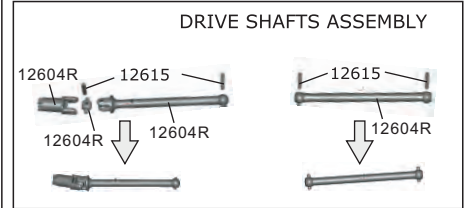
SUSPENSION ASSEMBLY -FRONT



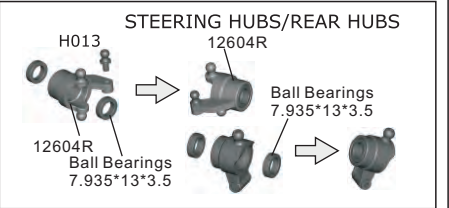
SUSPENSION ASSEMBLY -REAR



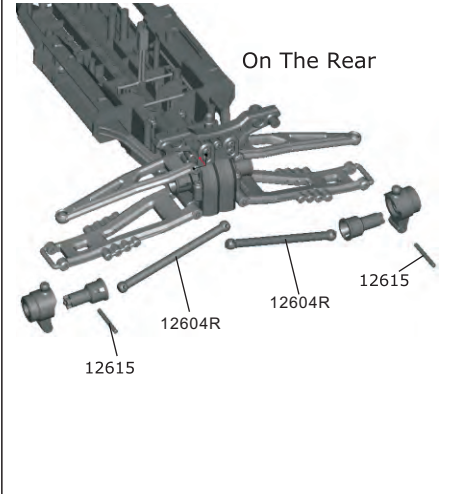
DRIVE SHAFTS ASSEMBLY



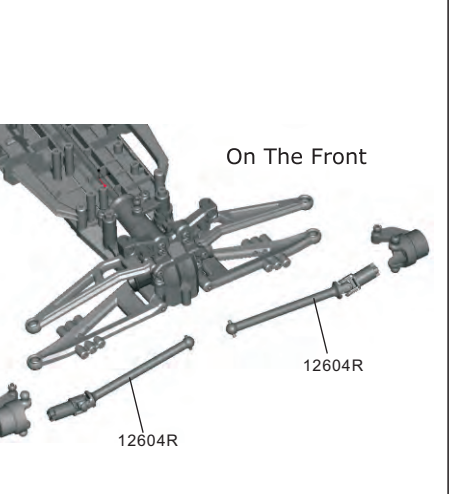
STEERING HUBS/REAR HUBS



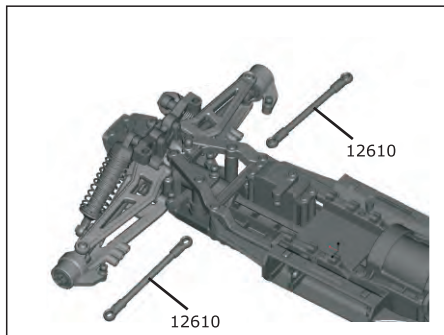
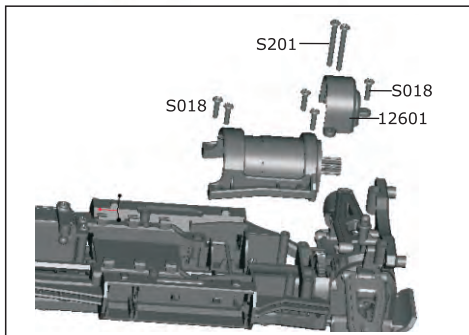
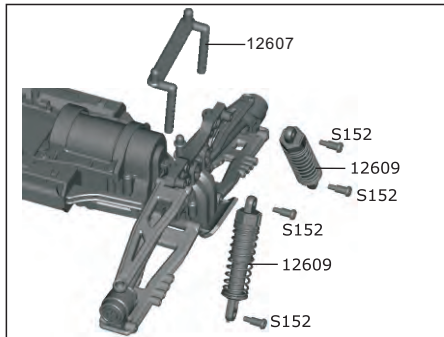
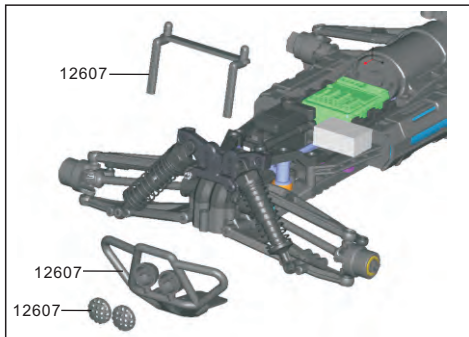
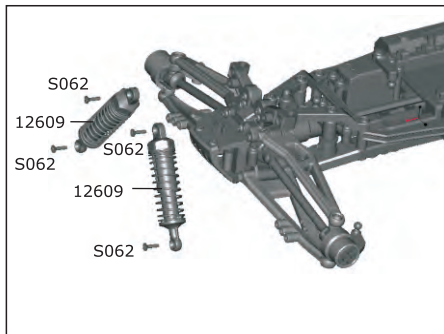
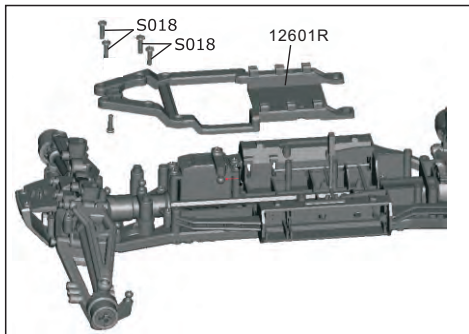
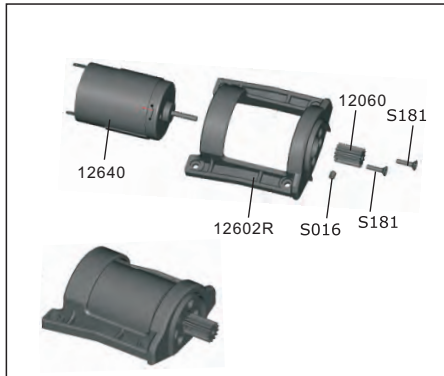
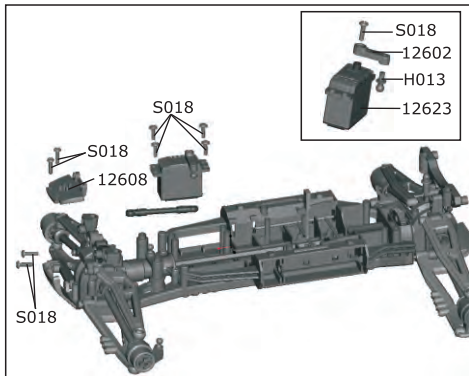
On The Rear



On The Front



# EXPLODED VIEW-4



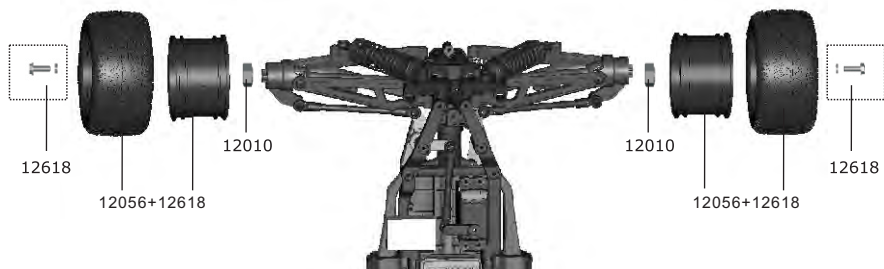
NOTE: THE PART IMAGES MAY VARY FROM THE ACTUAL PARTS.

## EXPLODED VIEW-5

### INSTALL THE TRUGGY WING



### INSTALL THE TRUGGY WHEELS (FRONT AND REAR WHEEL INSTALLATION IS IDENTICAL.)



### INSTALL TRUGGY BODY

