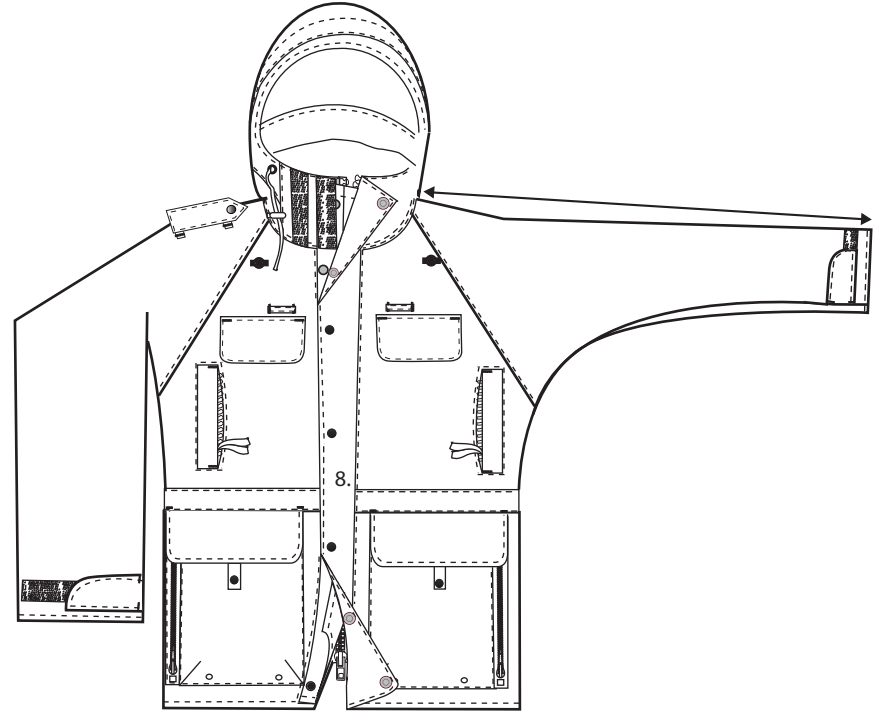


B315 Avenger Size Guide

The Avenger is a '3 in 1' coat with a detachable fleece. Naturally when the fleece is removed the garment will feel bigger. It's important to know which configuration you will use most, and take this into account when ordering. If you plan to wear without the fleece, it may be wise to order a size down.

It's always best to measure an existing garment to get an accurate size.

Note: Our garments are hand made by people not robots, please allow a 1.5cm tolerance to measurements.



Size	XS	S	M	L	XL	XXL	XXXL
Wearers Chest	81-86cm	91-96cm	101-106cm	112-117cm	122-127cm	132-137cm	142-147cm
Outer Pit to Pit	53cm	58cm	63cm	66cm	72cm	75cm	80cm
Centre Back Length	79.5cm	82cm	84cm	86cm	89cm	92cm	95cm
Sleeve Length <small>(Incl Shoulder)</small>	80cm	81cm	83cm	85cm	87cm	89cm	91cm
Inner Fleece Pit to Pit	51cm	56cm	61cm	64cm	70cm	74cm	78cm