

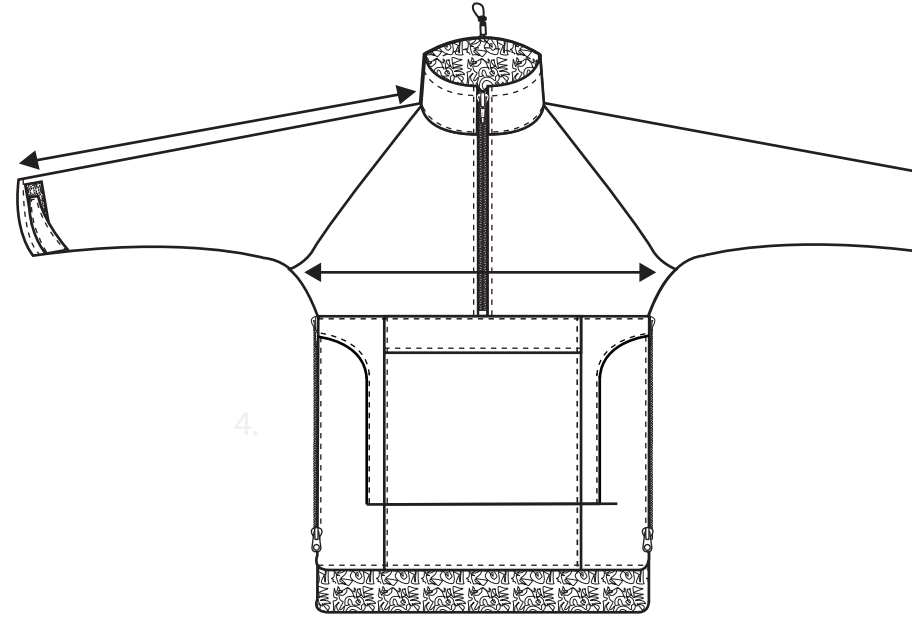
A210 Mammoth Size Guide

The mammoth shirts can be worn as an outer layer, or underneath a smock. Because of this, it is built slightly loose to aid mobility and allow for extra layers.

If you prefer a tighter/ tailored fit, or plan to wear very minimal layers, it may be wise to order a size down.

It's always best to measure an existing garment to get an accurate size.

Note: Our garments are hand made by people not robots, please allow a 1.5cm tolerance to measurements.



Size

Wearers Chest

Pit to Pit

Centre Back Length

Sleeve Length (To Collar)

Size	XS	S	M	L	XL	XXL	XXXL
Wearers Chest	81-86cm	91-96cm	101-106cm	112-117cm	122-127cm	132-137cm	142-147cm
Pit to Pit	56cm	60cm	65cm	70cm	75cm	79cm	83cm
Centre Back Length	78cm	78.5cm	79.5cm	81cm	82.5cm	84.5cm	85.5cm
Sleeve Length (To Collar)	73.5cm	75.5cm	77.5cm	79.5cm	81.5cm	83.5cm	85.5cm