

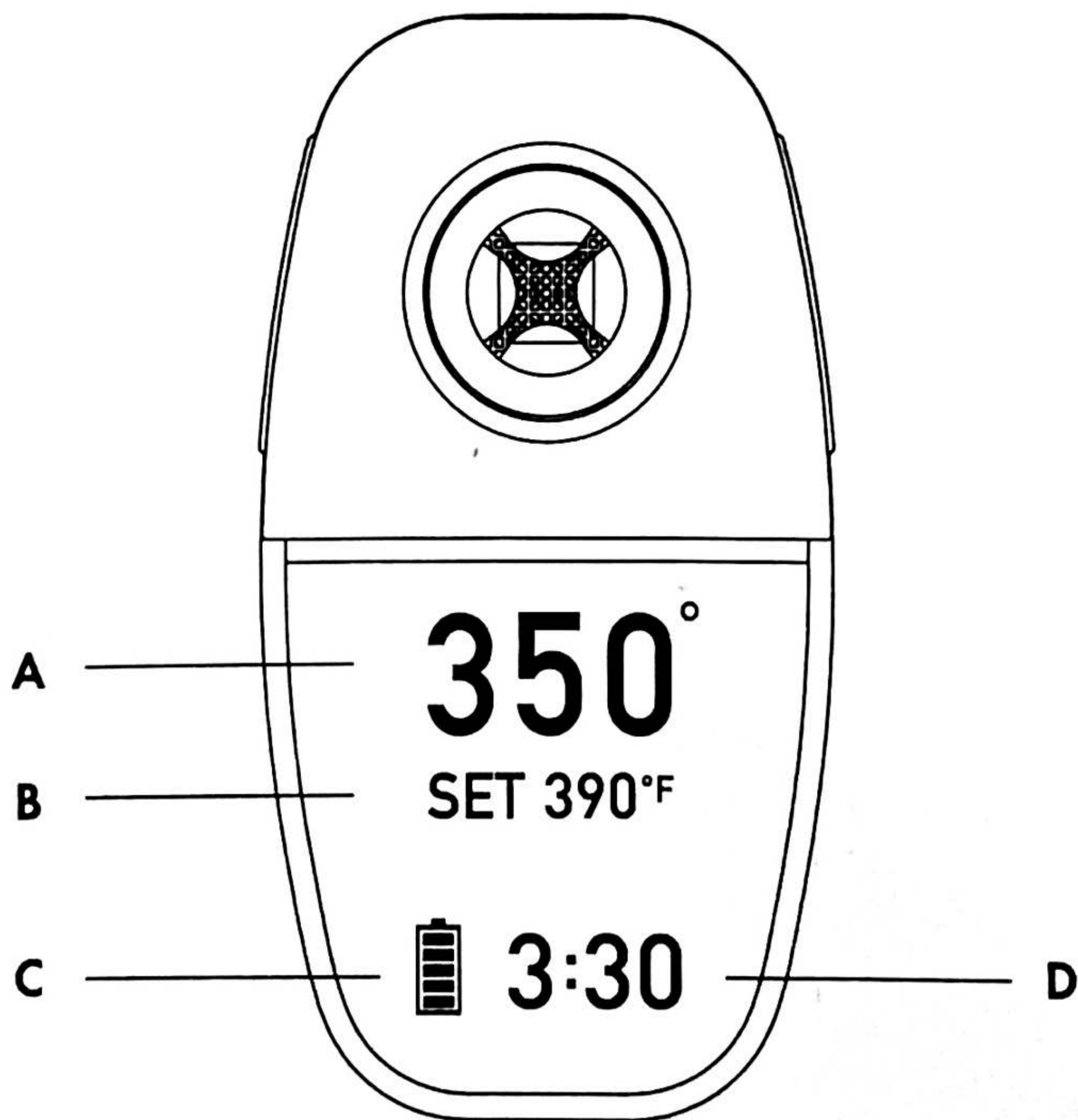
PLANET OF THE VAPES
LOBO



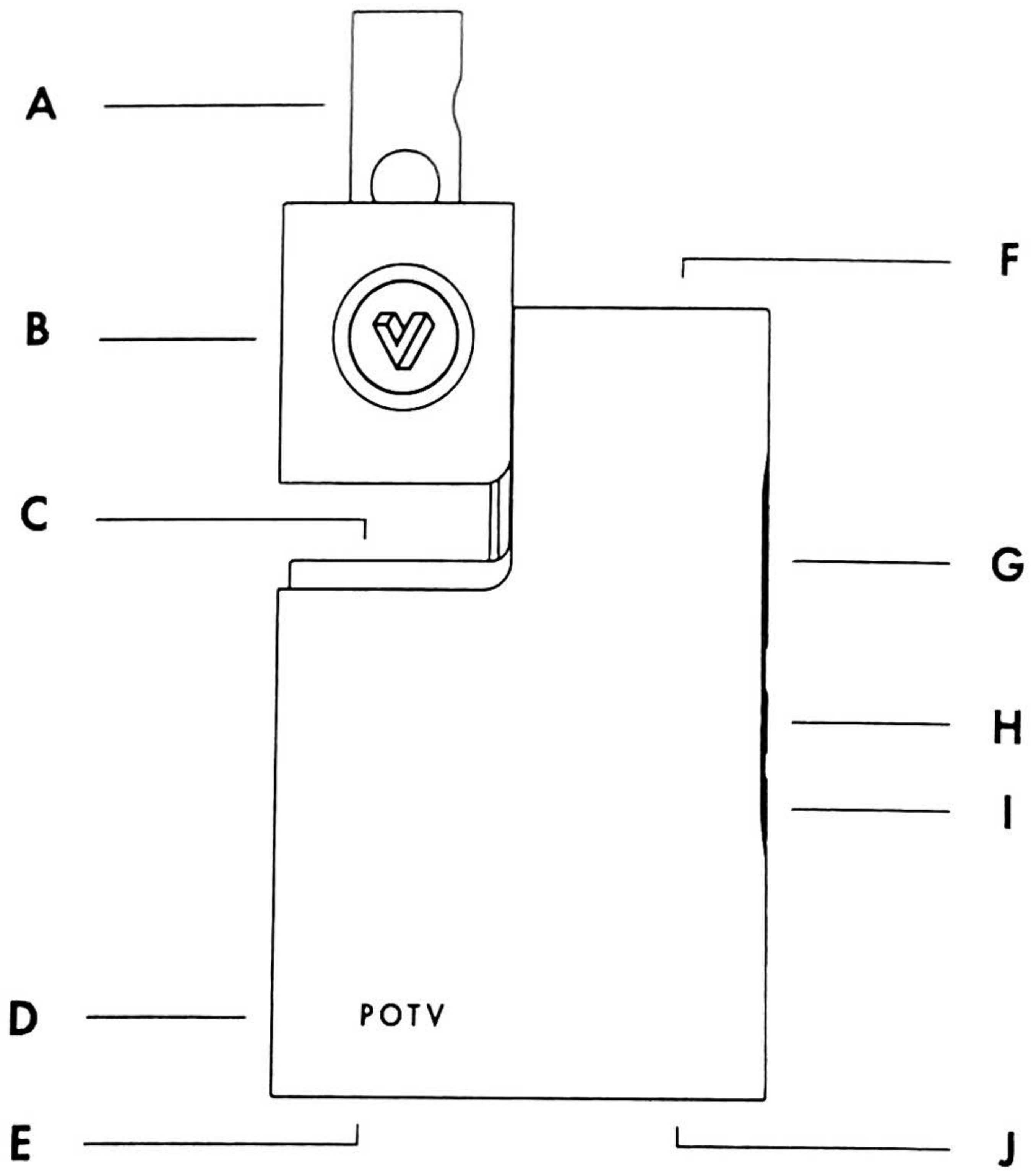
QUICK
START
GUIDE

COMPLETE GUIDE AT
POTV.LIFE/LOBO

LOBO OVERVIEW



- A** Current Temperature
- B** Set Temperature
- C** Battery Level
- D** Session Timer



- A** Glass Mouthpiece
- B** Glass Adapter
- C** Herb Chamber
- D** USB-C Port
- E** Air Intake

- F** Display
- G** Power Button
- H** (+) Button
- I** (-) Button
- J** Battery Door

BEFORE YOU USE THE LOBO

CHARGE THE BATTERY:

1. Charge the Lobo for two hours with the included USB-C cable before your first use.
2. The battery icon will display as full when the charge is complete.
3. Do not use the Lobo while it is charging.

PREP CYCLE

1. Press the power button three times within two seconds to turn on the Lobo.
2. Set the temperature to maximum (430°F / 221°C).
3. Let the Lobo run until it shuts down.
4. Repeat steps 1-3 two more times.

LOBO OPERATING GUIDE

GET STARTED

1. Slide the Glass Adapter up and off the Lobo.
2. Dry herbs: Loosely fill the herb chamber with your ground herbal blend, or fill the dosing capsule with dry herbs and put it in the herb chamber.
3. Concentrates: Remove the stainless steel mesh Extract Pad from its plastic wrap and insert it into the bottom of the herb chamber so it lies flat. Place your extract onto the center of the Extract Pad. Use a small amount at first, since large amounts can get messy.
4. Slide the Glass Adapter back into place.
5. Press the Power button three times within two seconds to turn the Lobo on. It will vibrate when it's turned on.
6. Use the Plus (+) and Minus (-) buttons to set your favorite temperature. If you haven't vaporized before, try 390°F (199°C) for dry herbs and 430°F (221°C) for concentrates.
7. The Lobo will vibrate when it has reached your set temperature. It's time to vape!
8. Inhale through the glass mouthpiece and make sure the bottom of the Lobo is free from obstructions.
9. Press the Power button three times within two seconds to turn off the Lobo. It will vibrate to confirm it is off. The Lobo has an adjustable auto-shut off timer to preserve battery life.

IMPORTANT BATTERY WARNING

READ BEFORE USE

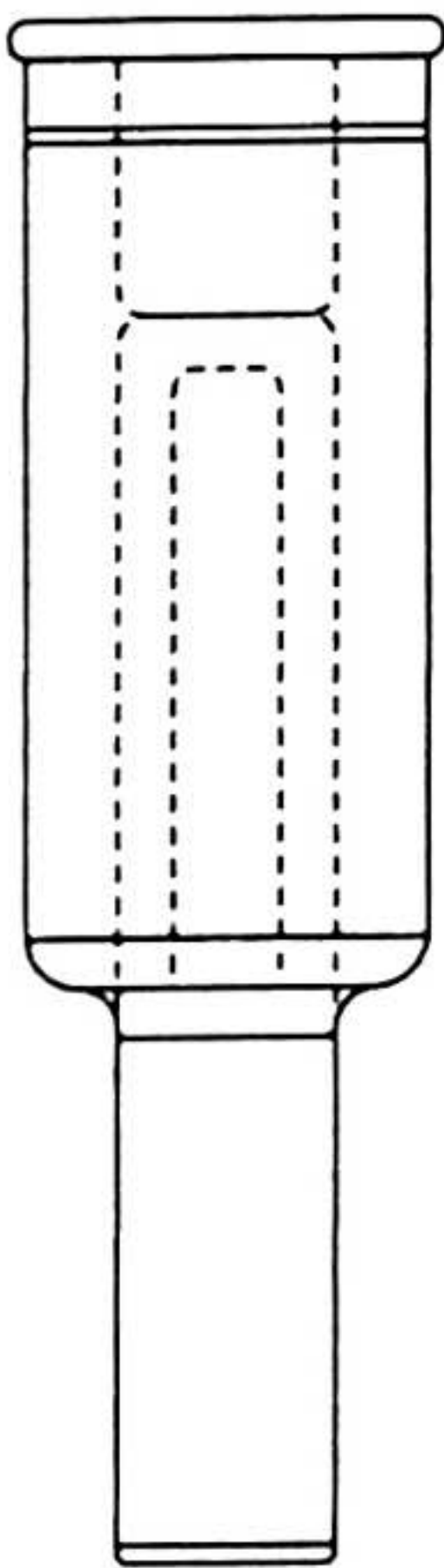
The POTV Lobo 18650 lithium-ion battery may burn if mistreated. Failure to follow the safety instructions could result in fire, electric shock, injury, or damage to POTV device and battery or other property.

- The POTV Lobo or its battery can be damaged if dropped, burned, punctured, or crushed, or if it comes in contact with liquid.
- Repairs performed by untrained individuals or using non-genuine POTV parts may affect the safety and functionality of the device.
- Only use the included battery, and POTV recommended additional batteries and chargers. Do not use any third-party, counterfeit, or unknown brand batteries or chargers. Using non-approved cells voids the device.
- Batteries should be recycled or disposed of separately from household waste and according to local environmental laws and guidelines.
- Never store or charge battery packs in extreme temperatures, since extreme temperatures could ignite a fire.
- Lithium batteries can explode or cause a fire if they are used incorrectly or if they are defective. Do not tamper with or misuse the batteries, and do not use damaged/defective batteries.
- Always match positive (+) and negative (-) when inserting batteries into the POTV Lobo and chargers.
- Always handle batteries with care - never drop them.
- Always store loose batteries in a protective cover.
- Do not use the device while charging.
- Never carry unprotected loose batteries on your body.
- Do not use it if the battery wrapper is damaged.
- Do not use it if there are any signs of corrosion.
- Do not disassemble or short circuit.
- Never charge batteries unattended.
- Do not use your POTV Lobo if it is unusually hot to the touch.
- POTV is not responsible for any damage or injury caused by the use, misuse, or mishandling of rechargeable batteries.

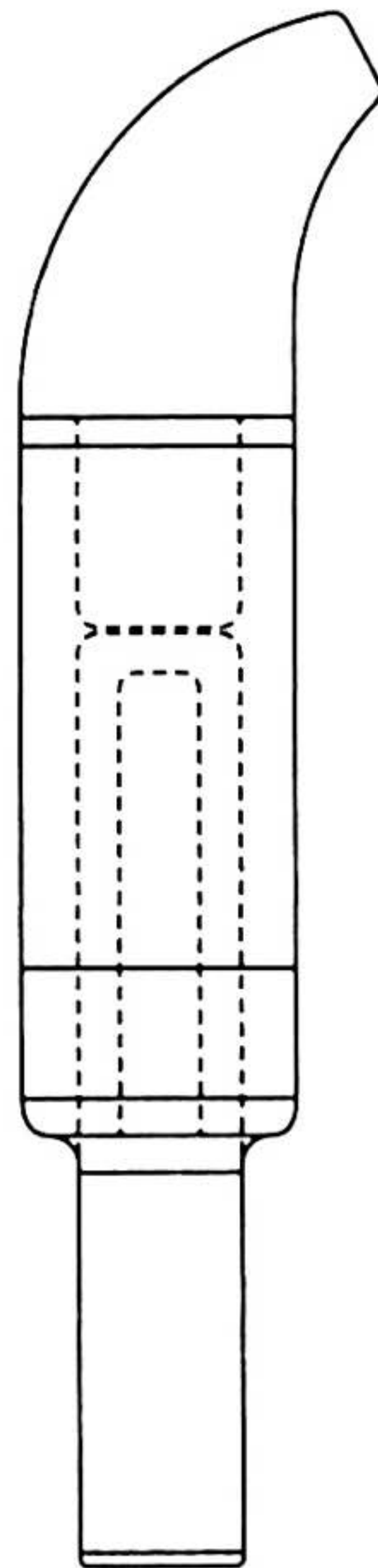
BEFORE YOU USE THE LOBO

HOW IT'S DONE

1. Slide the Glass Adapter onto the Lobo.
2. Insert the glass piece designed for the Lobo.
3. Enjoy vaping with glass!



Mini Bubbler



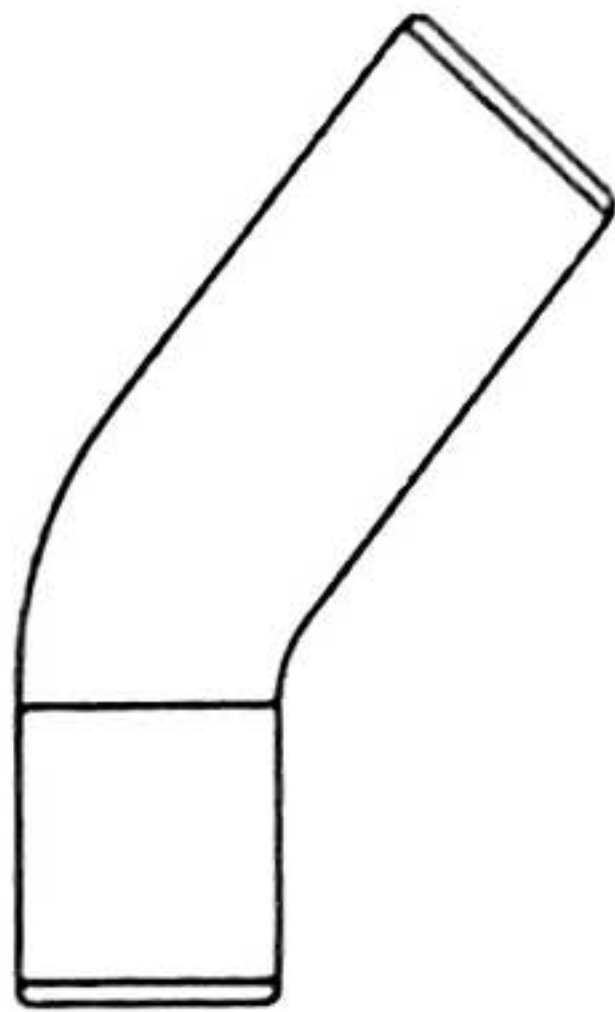
Curved
Mini Bubbler

GLASS ADAPTER

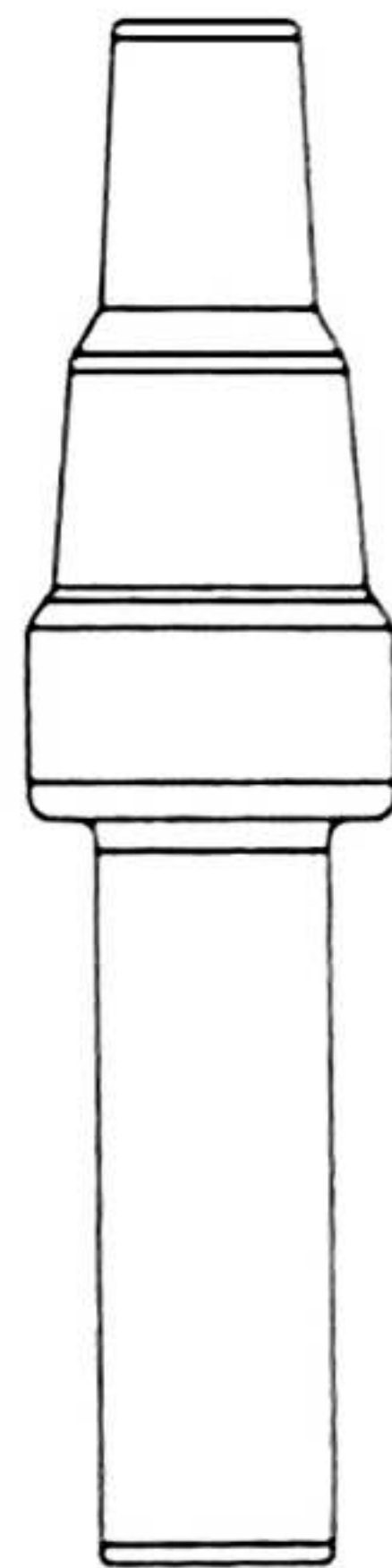
VAPE WITH GLASS

Customize your Planet of the Vapes Lobo sessions with different glass stems! Besides the included Dimpled Glass stem, we designed many other glass pieces to vape just the way you want.

1. Bent Tube: For a cool, relaxed draw.
2. Water Pipe Adapter: Vape with your favorite glass.
3. Mini Bubbler: For water-cooled vapor on-the-go.
4. Curved Mini Bubbler: Smoothest vapor with a relaxed style.



Bent Tube



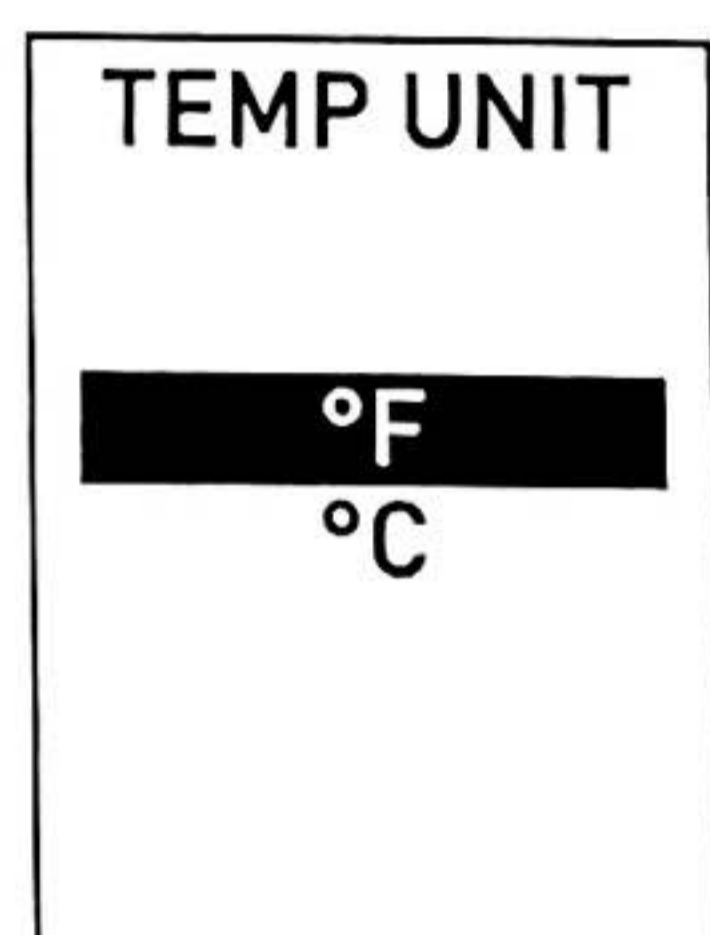
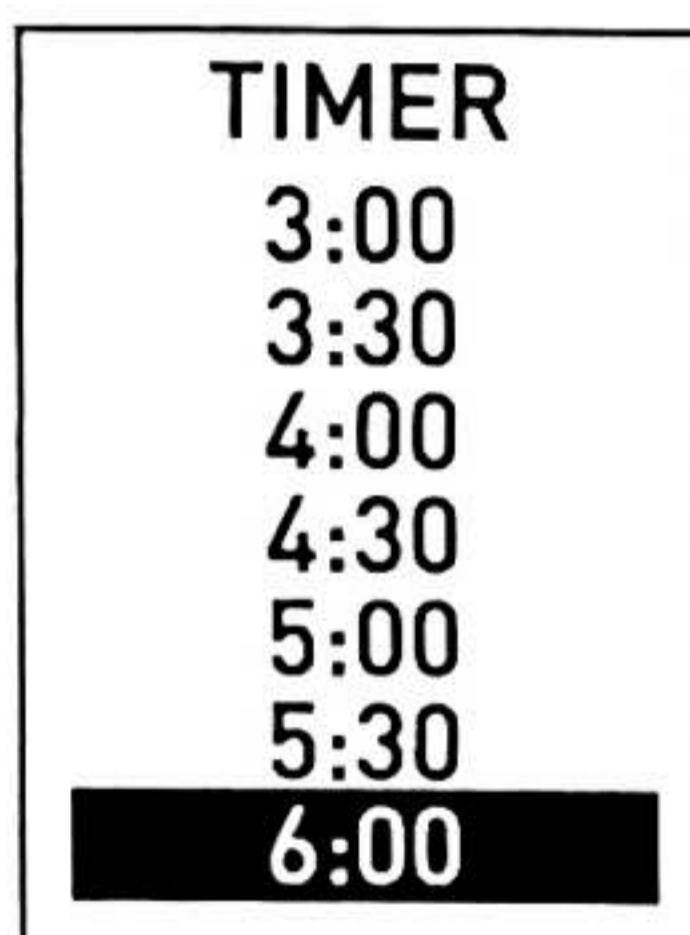
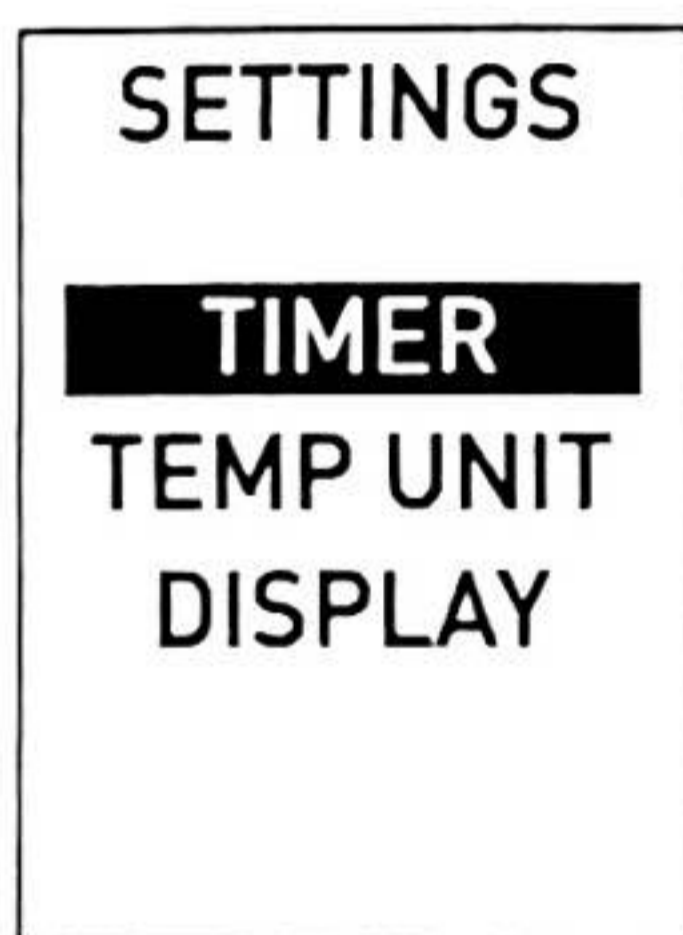
Water Pipe
Adapter

LOBO OPERATING GUIDE

SETTINGS MENU

Press and hold the Power and Plus (+) buttons to enter the settings menu. Use the Plus (+) and Minus (-) buttons to navigate the menu, and press the Power button to make selections.

- Timer - The session timer can be set from three to six minutes long in 30 second increments.
- Temperature Units - Toggle between Fahrenheit and Celsius temperature scales.
- Flip Display - Use this if you find yourself regularly looking at an upside-down display.



OTHER FEATURES:

- Stealth Mode - Press and hold the Power and Minus (-) buttons simultaneously for three seconds to dim the display. Press and hold again to return to normal.
- Battery Check - Press the Power button when the Lobo is off and it will display the current battery charge level.

FOR THE COMPLETE GUIDE
VISIT POTV.LIFE/LOBO, AND
LEARN MORE ABOUT HOW TO
USE AND CLEAN YOUR POTV
LOBO VAPORIZER, AS WELL AS
ADDITIONAL FEATURES.