

ASSEMBLY AND INSTALLATION INSTRUCTIONS

SR53128 / SR53129

Smart Lighting **3** - Motion Sensor+Photocell+Timer

WARNING: BE SURE TO SHUT OFF POWER AT THE MAIN FUSE OR CIRCUIT BREAKER BOX BEFORE INSTALLING OR SERVICING THIS FIXTURE.

**NOTE: 1. Before installing, consult local electrical codes for wiring and grounding requirements.
2. Read and save these instructions.**

Important to Know

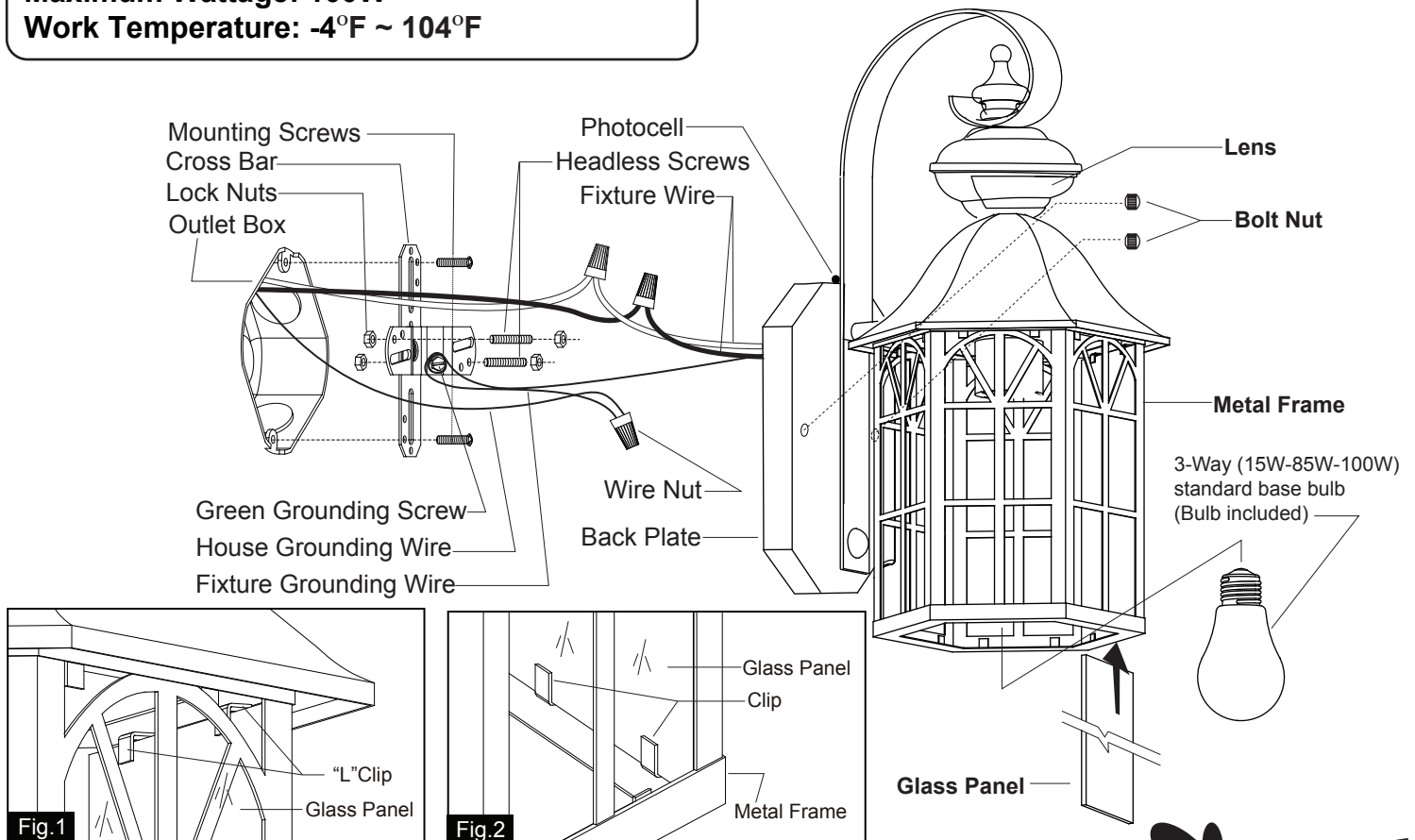
1. Read all instructions carefully before installation and operation.
2. If you are not familiar with state and local electrical codes, it is recommended that you consult with a qualified electrician.
3. Before installation, shut off power at the main fuse or circuit breaker box. Be aware that simply turning off the wall switch is not sufficient to prevent an electrical shock.
4. This fixture requires a 120 VAC, 60 Hz power source. Maximum wattage light bulb is 100W.
5. Do not attempt to take the lantern apart; there are no serviceable parts inside.
6. To avoid sensor damage by lightning or electrical surge, make sure the grounding wire is securely connected.
7. For general safety and to avoid any possible damage to the sensor, be sure the power is switched "off" before replacing the bulb.

Maximum Wattage: 100W

Work Temperature: -4°F ~ 104°F

Features

1. Use the dim-to-bright illumination option where you want some minimum illumination throughout the night, such as at your front entrance or garage door. Use the dark-to-bright illumination option where you do not need minimum brightness, such as the backyard or back porch.
2. Your light comes with a 3-way 15-85-100W bulb. Achieve true energy savings using dim illumination using 3-way bulbs, instead of energy-consuming dimmers. For best performance, use the bulb included or other incandescent or halogen 3-way bulbs. For conventional motion sensor, without dim ambient illumination, use regular incandescent or halogen bulb.
3. Brighten illumination gradually with Soft Start technology.



Installation Steps

1. Shut off power at the circuit breaker of where the fixture is to be installed.
2. Thread two headless screws through the cross bar, then secure them with four lock nuts (two on each side of the cross bar). Adjust the length of the headless screws if necessary.
3. Attach the cross bar to the outlet box by using two mounting screws.
4. Gently slide the glass panel into the metal frame in place. With one side locating into the slot of "L" clip, secure the other side of the glass panel by pressing the clips. (See Fig.1 & Fig.2)
5. Pull out the outlet wires and the house grounding wire from the outlet box. Make wire connections using the wire nuts:
 - Connect the black wire from the fixture to the black wire from the power source.
 - Connect the white wire from the fixture to the white wire from the power source.
 - Attach the fixture grounding wire to the cross bar with the green grounding screw. Then connect it to the house grounding wire with a wire nut.Carefully put the wires back into the outlet box.
6. Attach fixture to the wall by aligning headless screws on cross bar with holes on back plate. Slide headless screws through holes and secure with two bolt nuts.
7. With silicone caulking compound, caulk completely around where the back plate meets with the wall surface.
CAUTION: Be sure to caulk completely where the back plate meets the wall surface to prevent water from seeping into the outlet box.
8. Install a maximum 100 watt medium base bulb.
 - Install a 3-way bulb (15W-85W-100W 3-way incandescent bulb included) to have dim ambient illumination from dusk to dawn. Light will turn on to full brightness when motion is detected.
 - Install a regular bulb (not included). The light will be off from dusk to dawn, unless motion is detected. When motion is detected the light will turn on to full brightness.
9. Turn on the power at the main fuse or circuit breaker box.

Function and Operation

MODES OF OPERATION

Choose a mode by sliding the switch on the bottom of the back plate of the fixture. (See FIG.1 on page 3)

1. TEST MODE (daytime and nighttime operation)
 - Function with 3-Way Bulb:
 - Turn on the wall switch. The light will brighten to full power. After 50 seconds (sensor warm-up time) the light will operate at a low level brightness.
 - Function with Regular Bulb:
 - Turn on the wall switch. The light will brighten to full power. After 50 seconds (sensor warm-up time) the light will turn off automatically.

Note: With Soft Start technology, the light gradually brightens to full power when motion is detected. About 10 seconds after motion is no longer detected, the lights will gradually dim to low level brightness if using 3-way bulb, or gradually dim to off if using regular bulb.

2. 3H MODE (nighttime operation only)
 - Function with 3-Way Bulb:
 - The light will brighten to full power at dusk. The light will operate at a low level brightness after 3 hours.
 - Function with Regular Bulb:
 - The light will brighten to full power at dusk. Light will turn off automatically after 3 hours.

Note: With Soft Start technology, after 3 hours, the lights will be dimmed up to full power when motion is detected. When motion is no longer detected, the lights will remain on for the predetermined time you set (10~180 seconds). After that, the lights will be dimmed down to low level brightness for applying 3-way bulb, or will be dimmed out automatically for applying regular bulb.

- Light will turn off automatically at dawn.

3. 6H MODE (nighttime operation only)

- Function with 3-Way Bulb:

- The light will brighten to full power at dusk. The light will operate at a low level brightness after 6 hours.

- Function with Regular Bulb:

- The light will brighten to full power at dusk. Light will turn off automatically after 6 hours.

Note: With Soft Start technology, after 6 hours, the lights will be dimmed up to full power when motion is detected. When motion is no longer detected, the lights will remain on for the predetermined time you set (10~180 seconds). After that, the lights will be dimmed down to low level brightness for applying 3-way bulb, or will be dimmed out automatically for applying regular bulb.

- Light will turn off automatically at dawn.

4. PC MODE (nighttime operation only; on at dusk, off at dawn)

- Function with Regular or 3-Way Bulb:

- The light will brighten to full power at dusk. Light will turn off automatically at dawn.

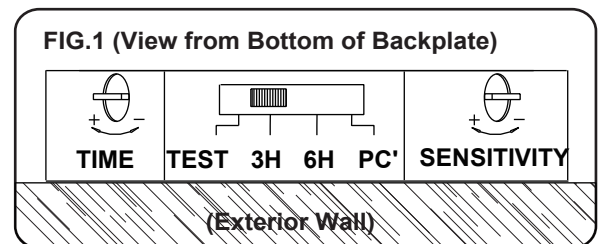
CUSTOMIZATION OPTIONS:

Shut-off Delay

The Shut-off delay is the length of time the light will stay at full brightness after motion has ceased to be detected. This Shut-off delay can be set when operation is in Auto Mode by using the "TIME" knob located on the left side of the panel at the bottom of the back plate (See FIG. 1). To increase shut-off delay, turn the knob clockwise. To decrease shut off delay, turn the knob counterclockwise. The delay may be adjusted from a minimum of 10 seconds to a maximum of 3 minutes. The light will stay on as long as motion is detected continuously and will automatically turn off when no more motion is detected after the delay time has passed.

Sensitivity of Motion Sensor

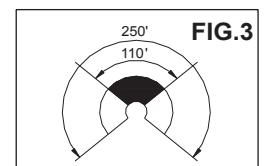
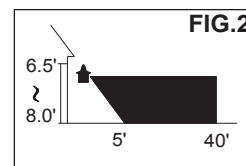
The sensitivity of the motion sensor can be adjusted using the "SENSITIVITY" knob located on the right side of the panel at the bottom of the back plate (See FIG.1). To increase sensitivity, turn the knob clockwise. To decrease sensitivity, turn the knob counterclockwise. The sensitivity may be adjusted from a minimum of 5 feet to a maximum of 40 feet.



NOTE:

1. When power is first applied, the light will turn to full brightness immediately. Wait for 20 seconds to allow the sensor to warm up.
2. The sensitivity of the motion sensor will increase as the environmental temperature gets cooler. You may wish to make adjustments when the season changes temperature. For best performance, gently clean the lens and photocell with a soft cloth every 1 or 2 months to assure maximum sensitivity.
3. The magnitude of adjustment for sensitivity and time may not be precisely proportionate to the amount the knob is turned.
4. For best performance install fixture at least 6-1/2 feet above the ground. At such a height, the lantern will provide a detection distance of up to 40 feet at 68 degrees Fahrenheit. (See FIG.2)
5. The sensor rotates across a detection range of 250 degrees with a fixed angle of 110 degrees. (See FIG.3)
6. The sensor will be more sensitive to motion across its detection path than motion directly towards it. You can adjust the sensor in the proper direction to best serve your needs.
7. To reduce possible nuisances, do not mount the fixture near a heat source like an air conditioner, vent or furnace exhaust, or in a direction facing any reflecting object or other light.

Where you install your lantern is important: Be sure the light is mounted straight on the wall; otherwise, the detection distance may be limited.



Troubleshooting

---The light does not come on at all:

1. Make sure the wall switch and circuit breaker are on.
2. Make sure the wiring is correct.
3. Make sure the bulb is not burned out.
4. Cover the sensor with your palm to verify that the ambient light level is not too high.

----In Test Mode, the light stays on full brightness after 20 seconds:

1. If during daytime, make sure the slide switch is at the TEST position.
2. Adjust the sensitivity knob clockwise toward the maximum.

---In 3H or 6H Mode, the light is still on full brightness, even though it has been 3 hours or 6 hours after dusk, respectively:

1. Make sure there has not been an interruption in the electrical power, i.e. the wall switch has not been switched off and turned back on at some point or the circuit breaker had not shutdown.
2. Make sure the photocell on the lantern had not been exposed to any bright light source.
NOTE: If the light has been turned off due to either an interruption in electrical power or exposure to bright light source for longer than 1 minute, the light will stay on longer than expected. (The light will stay on 3H or 6H after the return of power or disappearance of bright light for 3H and 6H mode, respectively). 3H or 6H function will return to normal the next day.

---In 3H or 6H Mode, the light stays on full brightness after 3 minutes:

1. Make sure there is no movement that could be picked up by the sensor.
2. Adjust the time knob counterclockwise to reduce the delay shut-off time.

----In 3H or 6H Mode, the light turns off completely, instead of dim illumination, after 3 minutes:

1. Make sure the bulb you installed is a 3-Way medium base bulb.

-- The light blinks:

1. Make sure the light is not mounted near a barbecue, air conditioner or other heat source.
2. Adjust the sensitivity knob counterclockwise to avoid unnecessary triggering like a passing car or reflecting objects.