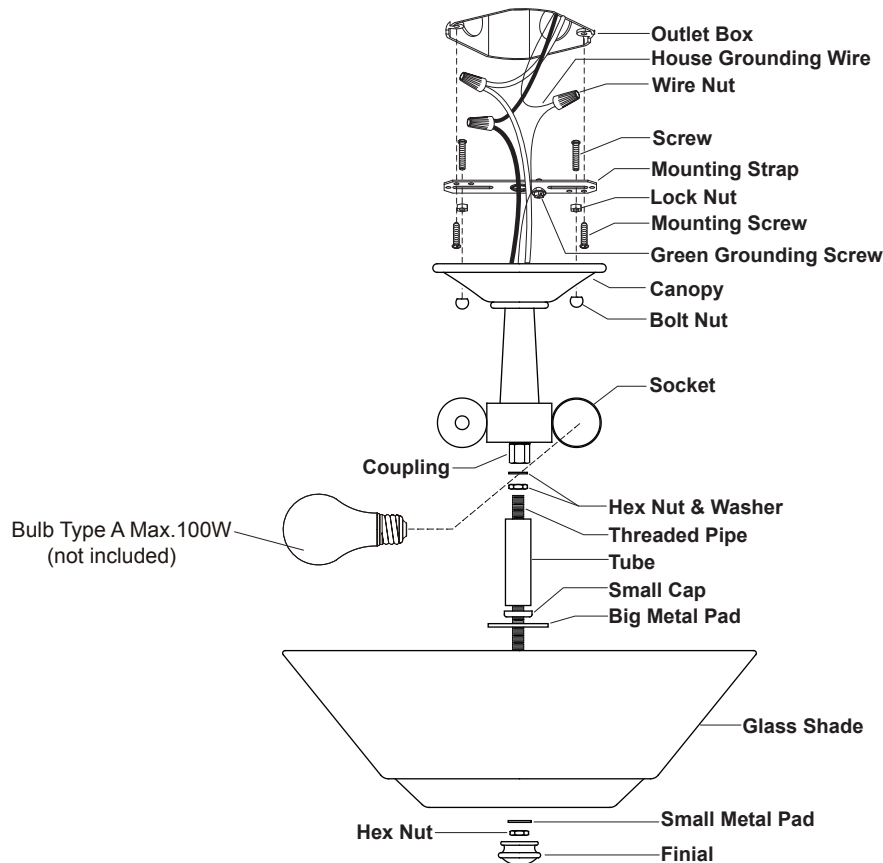


# ASSEMBLY AND INSTALLATION INSTRUCTIONS

KD-CFU130

**WARNING: BE SURE TO SHUT OFF POWER AT THE MAIN FUSE OR CIRCUIT BREAKER BOX BEFORE INSTALLING OR SERVICING THIS FIXTURE.**

**NOTE: 1. Before installing, consult local electrical codes for wiring and grounding requirements.  
2. READ AND SAVE THESE INSTRUCTIONS.**



1. Attach two screws to the mounting strap, and secure it with two lock nuts. Adjust the length of the screws if necessary.
2. Attach the mounting strap to the outlet box by using two mounting screws.
3. Cut the redundant wires if necessary. Pull out the outlet wires and the house grounding wire from the outlet box. Make wire connections using the wire nuts:
  - Connect the black wire from fixture to the black wire from power source.
  - Connect the white wire from fixture to the white wire from power source.
  - Attach the fixture grounding wire to the mounting strap with the green grounding screw. Then connect it to the house grounding wire with the wire nut.Carefully put wires back into the outlet box.
4. Attach the canopy to the mounting strap, and secure it with the bolt nuts.
5. Screw the threaded pipe into the coupling, secure it with a washer and hex nut. Then slip the tube, small cap with the open side facing upward, big metal pad and glass shade up through the threaded pipe, secure them with a small metal pad, hex nut and finial.
6. Install bulbs (not included). See relamping label at socket area or packaging for maximum allowed wattage.
7. Turn on the power at the main fuse or circuit breaker box.