

ASSEMBLY AND INSTALLATION INSTRUCTIONS

CF38215 / CF38217

WARNING: TO AVOID RISK OF ELECTRICAL SHOCK, BE SURE TO SHUT OFF POWER WHILE INSTALLING OR SERVICING THIS FIXTURE.

NOTE: Before installing, consult local electrical codes for wiring and grounding requirements.

Installation Steps:

For Semi-Flush

1. Attach two screws to the mounting strap, and secure with two lock nuts. **(You can adjust the length of the screw if necessary.)**
2. Attach the mounting strap to the ceiling box by using two mounting screws.
3. Adjust the arms of the fixture according to the drawing of the package.
4. Screw the headless screws into the hole of the pan and attach the fixture to the pan by inserting the headless screws, and then secure with the bolt nuts-2.
5. Cut the redundant wires if necessary, and make wire connections with wire nuts:
 - Connect the smooth wire (marked) from fixture to the black wire from power source.
 - Connect the ridged wire (unmarked) from fixture to the white wire from power source.
 - Attach the grounding wire and house grounding wire to the mounting strap with a green grounding screw.
 Carefully tuck wires back into the outlet box. □
6. Unscrew two bolt nuts-1 from the canopy, attach the canopy to the mounting strap, and then secure with two bolt nuts-1.
7. Install bulbs. **(Please do not exceed the maximum capacity which is recommended on the package.)**
8. Screw the nipple into the coupling, and then secure with a washer and a hex nut.
9. Attach the glass shade upward to the fixture by inserting the nipple, and then secure with the washer, hex nut and finial.
10. Turn on the power at fuse or circuit box.

For Pendant:(See Fig.1)

1. Attach the nipple-1 to the mounting strap, and then secure with a washer and a hex nut.
2. Attach the mounting strap to the ceiling box by using two mounting screws.
3. Follow steps 3~4 as For Semi-Flush.
4. Thread the fixture wire and grounding wire through the hex nut, nipple-2, cap and loop in order.
5. Screw the nipple-2 into the coupling, and then secure with the hex nut.
6. Attach the cap onto the fixture by inserting nipple-2, and then secure with the loop.
7. Choose a certain length of the chain you need, and then weave the fixture wire and the grounding wire through the chain links. Connect one end of the chain with the loop by using the loop lock.
8. Secure the top loop to the nipple-1.
9. Thread the fixture wire and grounding wire through the collar, top loop, canopy, nipple-1 and mounting strap in order.
10. Connect the other end of the chain with the top loop by using the loop lock.
11. Follow step 5 as For Semi-Flush.
12. Attach the canopy to the mounting strap by inserting the top loop, and secure with the collar.
13. Follow steps 7~10 as For Semi-Flush.

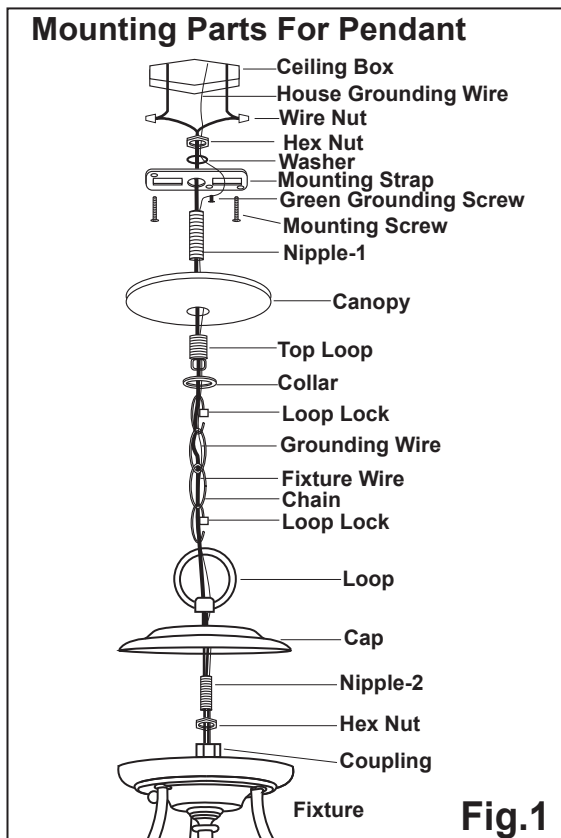
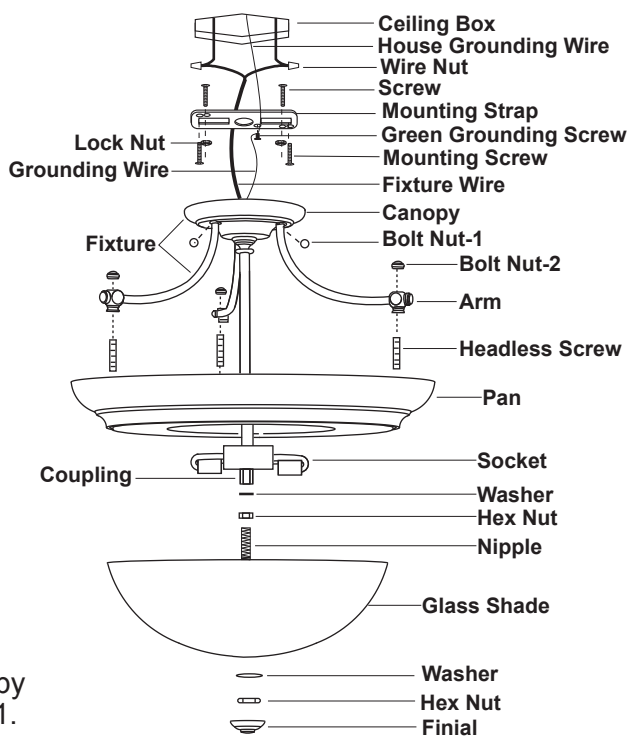


Fig.1