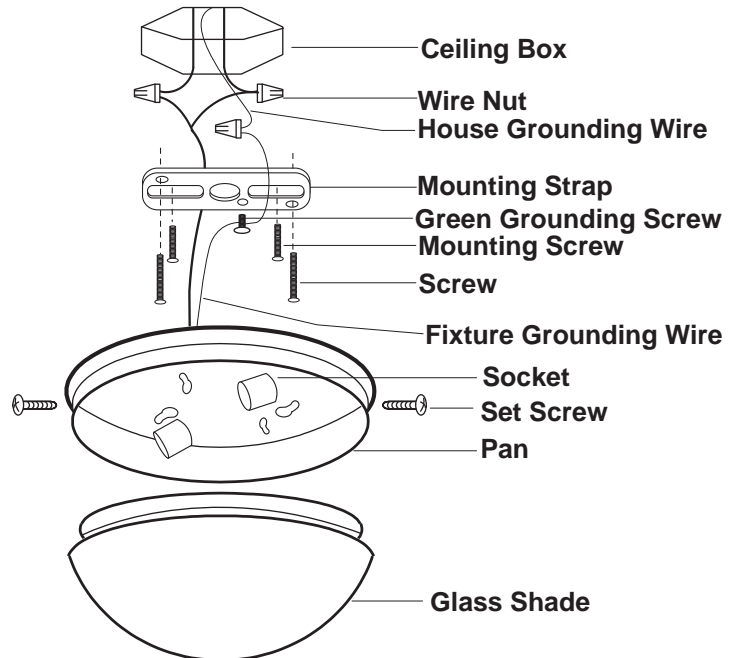
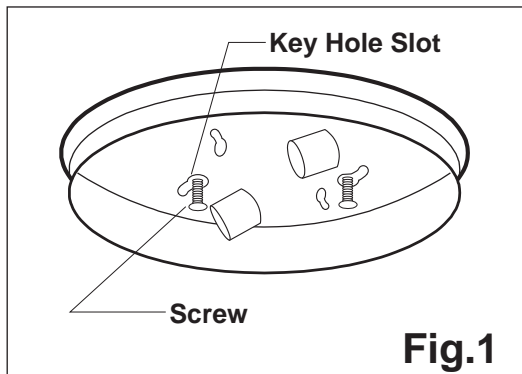


# ASSEMBLY AND INSTALLATION INSTRUCTIONS

CC6707/CC6709/CC17707/CC17709

**WARNING:** TO AVOID RISK OF ELECTRICAL SHOCK, BE SURE TO SHUT OFF POWER WHILE INSTALLING OR SERVICING THIS FIXTURE.

**NOTE:** Before installing, consult local electrical codes for wiring and grounding requirements.



## Installation Steps

1. Attach the two screws to the mounting strap, screw them a little in.
2. Attach the mounting strap to the ceiling box by using two mounting screws.
3. Make wire connections with wire nuts:
  - Black wire from fixture to the black wire from power source.
  - White wire from fixture to the white wire from power source.
  - Attach the fixture grounding wire to the mounting strap with the green grounding screw. Then connect it to the house grounding wire with the wire nut.Carefully tuck wires back into the ceiling box.
4. Attach the pan to the mounting strap by inserting two screws, and rotate the pan until it locks in place. Then secure the screws tightly with a screwdriver.
5. Install bulbs. (**Please do not exceed the maximum capacity that is recommended on the package.**)
6. Attach the glass shade to the pan carefully, and then secure with the set screws.  
**NOTE: Please do not over tighten, breakage could occur.**
7. Turn on the power at fuse or circuit box.