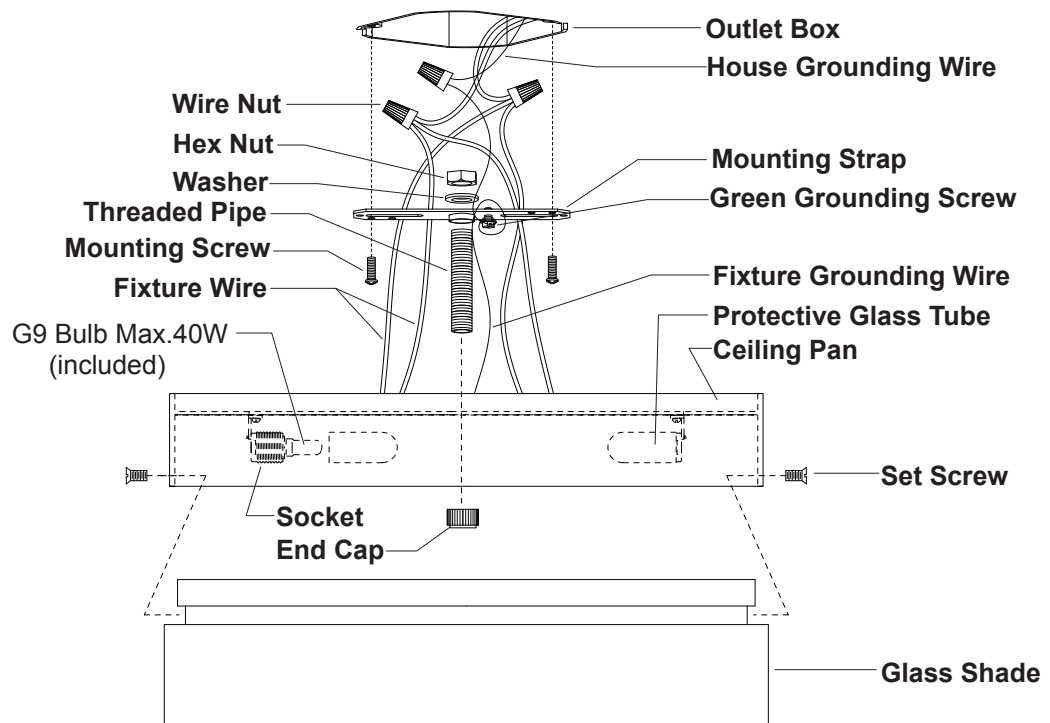


ASSEMBLY AND INSTALLATION INSTRUCTIONS

CC56707 / CC56709

WARNING: BE SURE TO SHUT OFF POWER AT THE MAIN FUSE OR CIRCUIT BREAKER BOX BEFORE INSTALLING OR SERVICING THIS FIXTURE.

**NOTE: 1. Before installing, consult local electrical codes for wiring and grounding requirements.
2. READ AND SAVE THESE INSTRUCTIONS.**



1. Attach the threaded pipe to the mounting strap, then secure it with a washer and hex nut.
2. Attach the mounting strap to the outlet box by using two mounting screws.
3. Pull out the outlet wires and the house grounding wire from the outlet box. Make wire connections using the wire nuts:
 - The black wires from the fixture to the black wire from the power source.
 - The white wires from the fixture to the white wire from the power source.
 - Attach the fixture grounding wire to the mounting strap with the green grounding screw. Then connect it to the house grounding wire with the wire nut.Carefully put the wires back into the outlet box.
4. Attach the ceiling pan to the mounting strap by inserting the threaded pipe, then secure it with end cap.
5. Install bulbs (included). See relamping label at socket area or packaging for maximum allowed wattage.
6. Gently screw the protective glass tubes onto the sockets until securely.
7. Attach the glass shade to the ceiling pan and secure it with four set screws.
Caution: Do not over tighten.
8. Turn on the power at the main fuse or circuit breaker box.