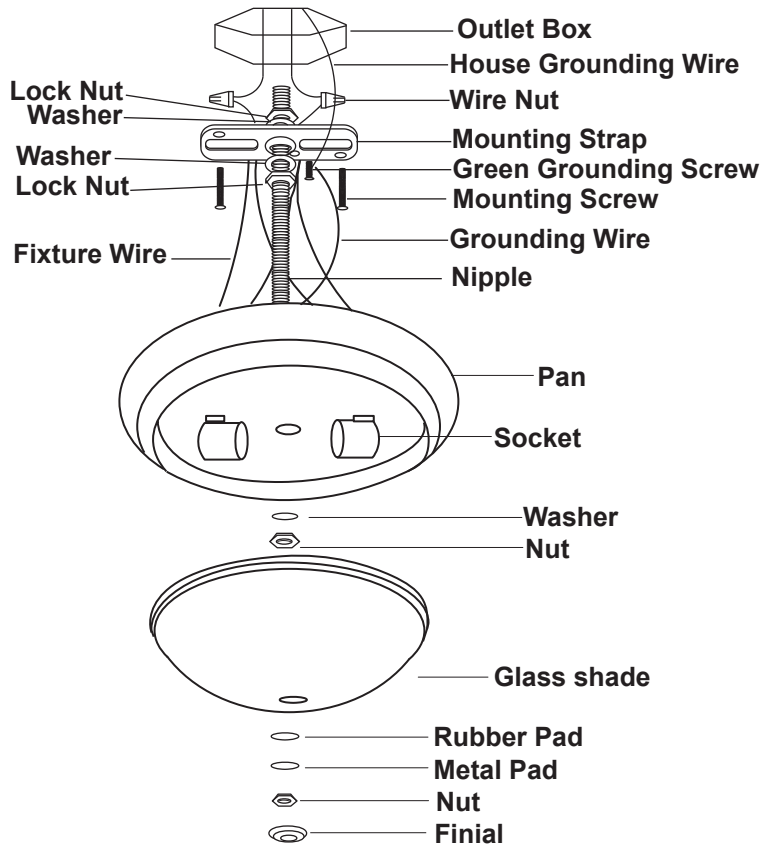
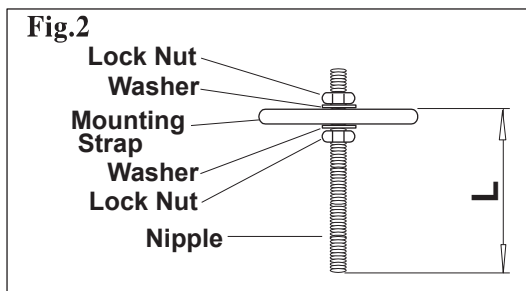
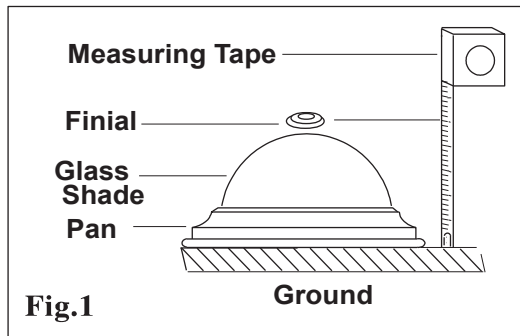


ASSEMBLY AND INSTALLATION INSTRUCTIONS

CC38211/CC38213/CC38215

WARNING: TO AVOID RISK OF ELECTRICAL SHOCK, BE SURE TO SHUT OFF POWER WHILE INSTALLING OR SERVICING THIS FIXTURE.

NOTE: Before installing, consult local electrical codes for wiring and grounding requirements.



Installation Steps:

1. Measure the fixture height from pan to the finial. (See Fig.1)
2. Thread the nipple into the mounting strap and adjust the length as you measured (See Fig.2), and then tighten with 2 washer and 2 lock nuts by wrench.
3. Attach the mounting strap to the outlet box by using 2 mounting screws .
4. Make wire connections with wire nuts:
 - Connect black wire from light to black wire from power source with a wire nut.
 - Connect white wire from light to white wire from power source with a wire nut.
 - Attach the grounding wire and house grounding wire to the mounting strap with the green grounding screw.

Carefully tuck wires back into the outlet box.
5. Attach the pan to the mounting strap by inserting the nipple, and then secure with a washer and a nut.
6. Install bulbs. (Please do not exceed the maximum capacity which is recommended on the package.)
7. Attach the glass shade to the pan by inserting the nipple, and secure tightly with rubber pad , metal pad , nut and finial.
8. Turn on the power at fuse or circuit box.