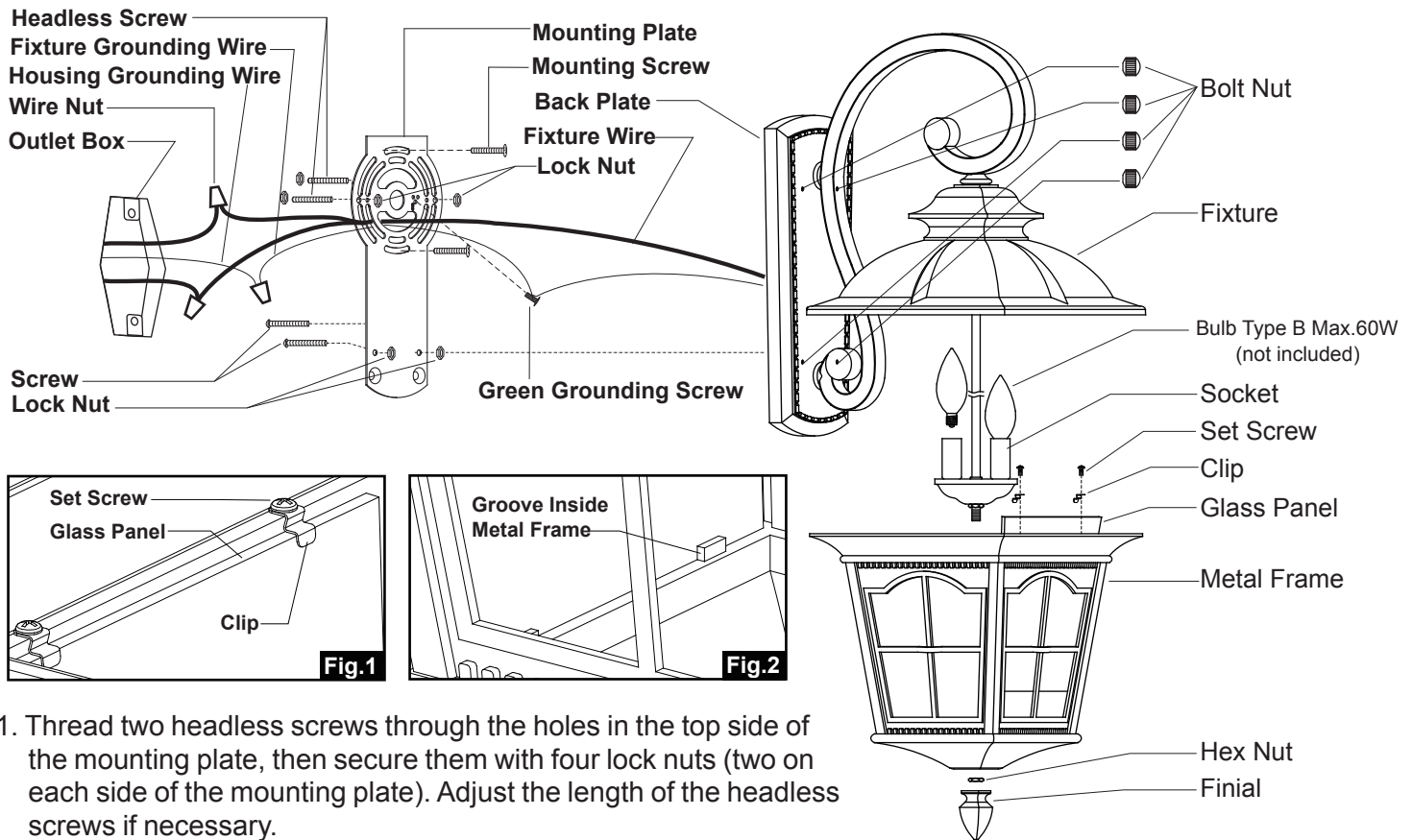


ASSEMBLY AND INSTALLATION INSTRUCTIONS

AD-OWU110 / AD-OWU130

WARNING: BE SURE TO SHUT OFF POWER AT THE MAIN FUSE OR CIRCUIT BREAKER BOX BEFORE INSTALLING OR SERVICING THIS FIXTURE.

**NOTE: 1. Before installing, consult local electrical codes for wiring and grounding requirements.
2. READ AND SAVE THIS INSTRUCTION.**



1. Thread two headless screws through the holes in the top side of the mounting plate, then secure them with four lock nuts (two on each side of the mounting plate). Adjust the length of the headless screws if necessary.
2. Thread two screws through the holes in the bottom side of the mounting plate, then secure them with other two lock nuts.
3. Attach the mounting plate to the outlet box by using two mounting screws.
4. Unscrew the hex nut to separate the metal frame from the dome.
5. Install glass panels. (See Fig.1 & Fig.2)
 - a. Unscrew the set screws and clips from the inside metal frame.
 - b. Gently place a glass panel into the inside of metal frame and make certain bottom of glass panel sits at inside groove.
 - c. Restore the set screws and clips back to secure the glass panel.
 - d. Repeat with other glass panels.
6. Pull out the outlet wires and the house grounding wire from the outlet box. Make wire connections using the wire nuts:
 - Connect the black wire from the fixture to the black wire from the power source.
 - Connect the white wire from the fixture to the white wire from the power source.
 - Attach the fixture grounding wire to the mounting plate with the green grounding screw. Then connect it to the house grounding wire with a wire nut.
 Carefully put the wires back into the outlet box.
7. Attach the back plate to the mounting plate by inserting the headless screws and screws, then secure it with bolt nuts.
- CAUTION: With silicone caulking compound, caulk completely around where the back plate meets with the wall surface to prevent water from seeping into the outlet box.**
8. Install bulbs (not included). See relamping label at socket area or packaging for maximum allowed wattage.
9. Restore metal frame to the fixture and secure it with a hex nut and finial.
10. Turn on the power at the main fuse or circuit breaker box.