

Jackson - Overhead Closers

20101M01 - Overhead Concealed Closer

Application: aluminum doors exterior and interior

Features

- 1/2" spindle length
- Regular duty spring size
- Available in 90 and 105 degree swing hold or no hold options
- Dual valve closing control – sweep and latch speeds are adjustable
- Cushioned tri-polymer backstop protects the closer
- Non handed
- Single or double acting
- Suitable for both center hung and offset applications
- UL Listed, UL 228 (non-hold only)

Options

- 7/8" and 1-13/64" spindle lengths
- Extra Light, Light, and Heavy Duty Spring Sizes



Stocked Product

Item #	Description
20101M01	105 NH
20101M02	105 HO
20101M03	90 NH
20101M04	90 HO

20101M17 - Adjustable Spring Power Overhead Concealed Closer

Applications: ADA compliant entrances and where HVAC stack pressure is an issue

Features

- Meets ADA requirements
- Adjustable Spring Power for regulating opening force most accurately sizes 2-4
- Fully adjustable independent valves for sweep and latching functions
- Full ball bearing operation for increased efficiency
- Cushioned tri-polymer backstop protects the closer
- Non handed
- Single or double acting
- Suitable for both center hung and offset applications
- 1/2" spindle length
- UL Listed, UL 228 (non-hold only)

Options

- 7/8" and 1-13/64" spindle lengths
- End load arms
- Side load arms
- Bottom pivots
- 3/4" off set and intermediate pivots
- Off set arms and slide tracks
- Mounting Clips



Stocked Product

Item #	Description
20101M17	105NH
20101M18	105 HO
20101M19	90 NH
20101M20	90 HO

Jackson - Overhead Closers

20104M04 - Overhead Closer

Application: All glass herculite-type doors with patch or rail hardware and aluminum doors

Features

- Extended spindle 7/8" spindle length
- Regular duty spring size
- Available in 90 and 105 degree swing hold or no hold options
- Dual valve closing control – sweep and latch speeds are adjustable
- Cushioned tri-polymer backstop protects the closer
- Non handed
- Single or double acting
- Suitable for both center hung and offset applications
- UL Listed, UL 228 (non-hold only)

Options

- 1/2" and 1-13/64" spindle lengths
- Extra Light, Light, and Heavy Duty Spring Sizes



Stocked Product

Item #	Description
20104M01	105 NH 7/8"
20104M02	105 HO 7/8"

Jackson - Center Hung Closer Accessories

202000 - End Load Arm for Top Rail

Features

- For 1" deep top rail
- Includes mounting hardware
- Forged steel



20219 - Mounting Clip Package

Features

- Mounting clip package
- Center Hung



20400B - Side Load Arm

Features

- For 1/2" deep top rail
- Includes mounting hardware
- Forged steel



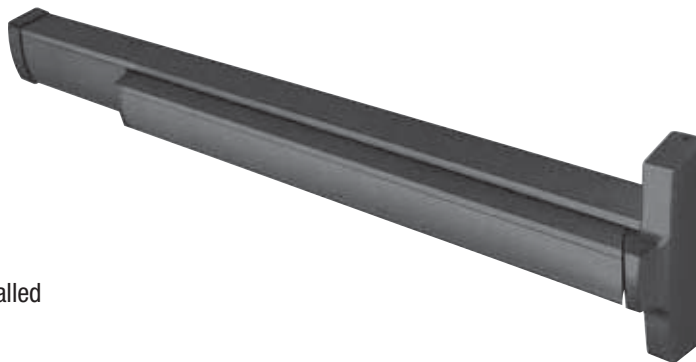
Jackson - Exits

2086 - Concealed Vertical Rod Exit Device

Application: Narrow, Medium, Wide stile aluminum doors (min 1 3/4")

Features

- Handed – Not reversible
- Dogging from inside manual operation or outside cylinder
- Optional cylinder dogging available
- Independent top and bottom bolt action with 1/2" throw
- Includes Humpback Top Strike TM to ensure secure closing
- Trigger action, positive bolt release
- Adjustable bolt guides allow bolt adjustment with door installed
- Concealed silencers quiet rod operation
- Field sizable to 30"
- Listed ANSI/UL 305 panic hardware and ANSI 156.3 Grade 1 panic hardware
- Available as an Electrified Unit – 312086E requires 302616 power supply



Stocked Product

Item #	Handing	Finish
2086L	LHR	313, 628
2086R	RHR	313, 628

Jackson - Pivots

201060 - Type P Pivot

Features

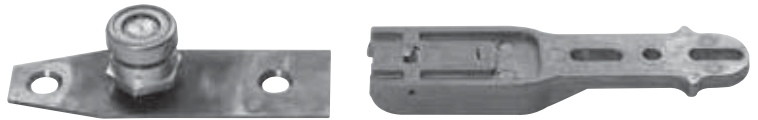
- For Floor Installation
- For 1-9/16" deep bottom rail



201570- GW Center Hung Pivot

Features

- For Floor Installation
- For 1-9/16" deep bottom rail



20902 - G Type Pivot

Features

- For floor installation
- For 1-1/2" deep bottom rail
- Height adjustable



20944 - Ge Type Pivot

Features

- For threshold installation
- For 1-1/2" deep bottom rail
- Height adjustable



Jackson - Pivots

3/4" Offset Intermediate Pivots

J-14 - Pivot Package

Features

- For aluminum doors and frames
- Max weight 125lbs.
- Reversible – non handed
- Jamb slot-in
- Extruded aluminum
- 5/8" vertical adjustment
- Full race ball-bearing and iolite bronze bushing
- Fully retractable pin for easy installation



Stocked Product

Part #	Description	Finish
41J14S313	Short Leg	Dark Bronze
41J14S628	Short Leg	Clear Aluminum

J-19 - Intermediate Pivot

Features

- For aluminum or metal doors and frames
- Max weight 150lbs.
- Full mortise – Handed
- Made from aluminum
- Also available: 41J190HD
- Max weight 1,000lbs.
- Made from Brass or Bronze or Stainless Steel
- 5/8" vertical adjustment
- Full race ball-bearing and iolite bronze bushing
- Fully retractable pin for easy installation



Stocked Product

Part #	Description	Finish
41J190L313	Left	Dark Bronze
41J190R313	Right	Dark Bronze
41J190L628	Left	Aluminum
41J190R628	Right	Aluminum

Jackson - Pivots

3/4" Offset Pivot Package

Features

- For aluminum frames and doors up to 125lbs.
- Extruded or Cast aluminum
- Full race ball-bearing and iolite bronze bushing
- Fully retractable pin for easy installation
- 1/8" vertical adjustment

Stocked Product

Item #	Description	Finish
41J25L313	Left	Dark Bronze
41J25R313	Right	Dark Bronze
41J25L628	Left	Aluminum
41J25R628	Right	Aluminum



Offset Pivot Set

Stocked Product

Item #	Description	Finish
41LH DU	Left	Dark Bronze
41RH DU	Right	Dark Bronze
41LH A	Left	Aluminum
41RH A	Right	Aluminum



689628 - Non-Handed Offset Top and Bottom Pivot Set

For Use With 1-3/4" Aluminum Doors

The CRL J689 Offset Pivot Sets are designed to be used with standard 1-3/4 inch (44 millimeter) storefront aluminum doors weighing not more than 125 pounds (57 kilograms). These Pivots are perfect for new or retrofit applications. Finish: ALUMINUM



Jackson - Panic Accessories

301084 - Hump Back Strike™ package for Jackson top bolt exit devices

Product Description & Features

- Prevents “bottom-bolt-drag”
- Use with all Jackson top bolt panics
- Ensures smooth, secure, action



Stocked Product

Item #	Finish
301084313	Dark Bronze
301084628	Aluminum

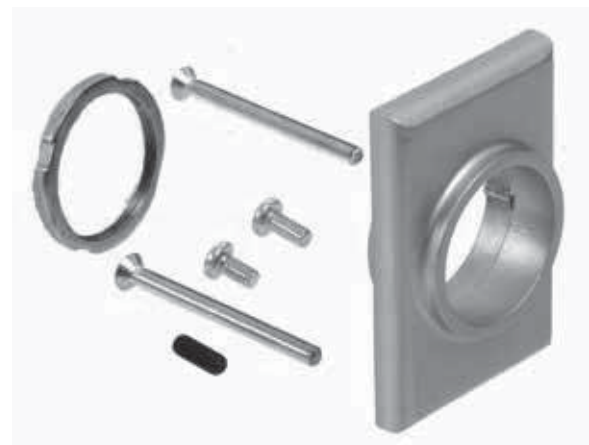
30821 - Mortise cylinder mountingpad for Jackson concealed vertical rod exit devices

Features

- For use with 1” outside cylinder
- Use MS type cam

Stocked Product

Item #	Finish
30821J313	Dark Bronze
30821J628	Aluminum

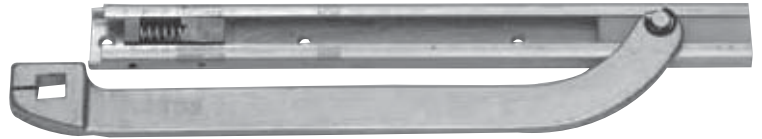


Jackson - Offset Closer Accessories

201134LC628

Features

- 201133 Forged Steel Offset arm
- 201129 slide track assembly for 5/8" shallow rail



201376 - Mounting "D" Clip Package - Special Mount



20900LC - Offset Arm Assembly

Features

- 20942 Forged Steel Offset Arm
- 20368 Slide Channel Assembly For 7/8" Deep Rail



20951 - Mounting "D" Clip Package - Offset Hung



Stocked Product
Finish 628

