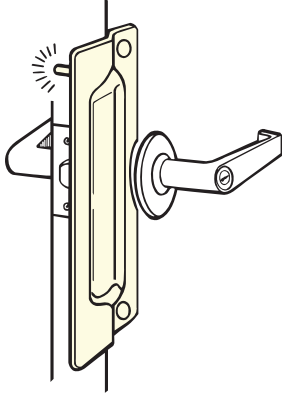


## Don-Jo *Lock Guard Plates*



### *PLP111 / PLP211*

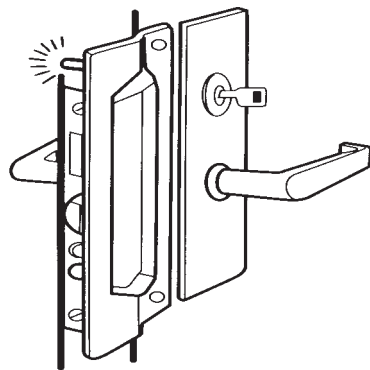
#### **Pin Latch protectors for OUTSWINGING DOORS**

- Solid steel pin prevents spreading of door from frame
- Pin is welded on back leaving no visible point of attack from outside
- Fits 2 3/4" and 2 3/8" backsets

#### ***Stocked Product***

PLP111 3" x 11"  
Finish: 630 (Stainless)

PLP211 3" x 11"  
Finish: 626



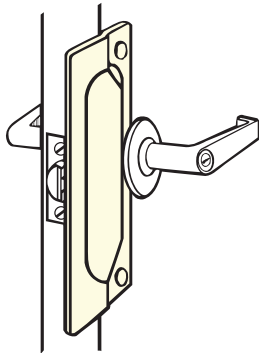
### *PMLP111*

#### **Pin Latch protectors for OUTSWINGING DOORS**

- Solid steel pin prevents spreading of door from frame
- Pin is welded on back leaving no visible point of attack from outside

#### ***Stocked Product***

PMLP111 3" x 11"  
Finish: 630 (Stainless)



### *LP107 / LP207*

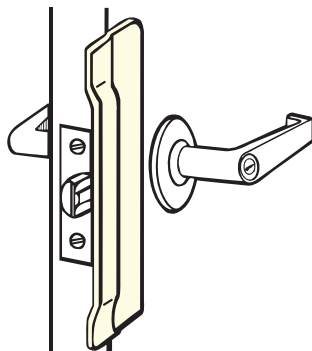
#### **For OUTSWINGING DOORS**

- Furnished with carriage bolts, washers & acorn cap nuts for safety and strength

#### ***Stocked Product***

LP107 2-3/4" x 7"  
Finish: 630 (Stainless)

LP207 2-3/4" x 7"  
Finishes:  
DU (Duro Coated)  
SL (Silver Coated)



### *CLP110*

#### **For COMMERCIAL TYPE for outswinging doors**

- 6" for key-in-knobs
- 10" for Mortise Locks
- Architectural design
- Concealed welded studs with fasteners

#### ***Stocked Product***

CLP110 2-1/8" x 10"  
Finish: 630 (Stainless)