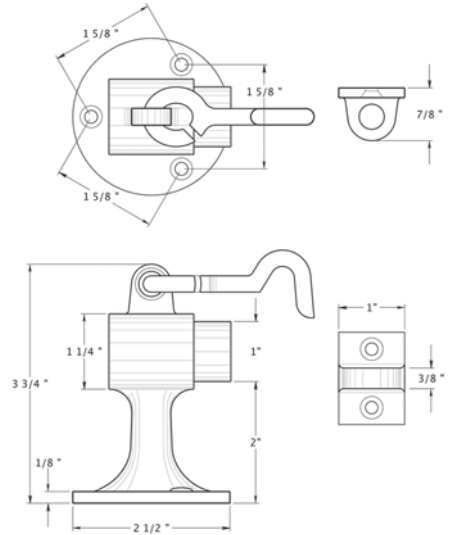


## Deltana - Bumpers & Stops

### SAHF358 - Floor Mount Bumper w/ Holder

**Specifications:**

BOX QTY: 5 PC  
 CASE QTY: 50 PC  
 CASE WEIGHT: 62 LB  
 INCLUDED: Packed In Individual Poly Bag With Matching Screws.



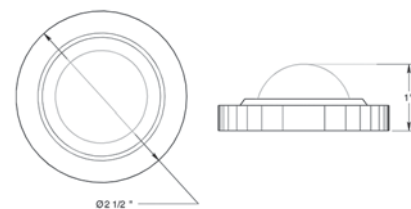
**Stocked Product**

Finishes: 10B, 26D

### WBC238 - Convex Flush Bumper 2 3/8" Diameter

**Specifications:**

BOX QTY: 50 PC  
 CASE QTY: 150 PC  
 CASE WEIGHT: 40 LB  
 INCLUDED: Packed In Individual Poly Bag With Mounting Hardware.



**Stocked Product**

Finishes: 10B, 26D