

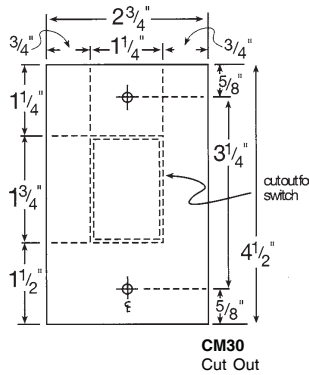
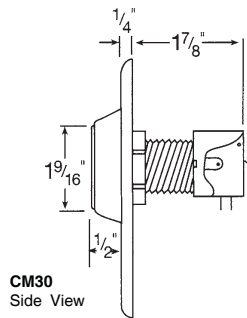
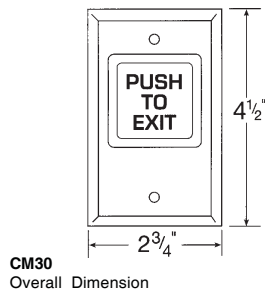
Camden

CM30 - Series Illuminated Key Switches

Features:

- SPDT Momentary
- EE option with 30 Second Integrated Timer

CM30 illuminated exit switches come with 2" square button (green or blue) mounted on a single gang stainless steel face plate, 2 socket / slotted screws and 2 tamper proof screws.



Stocked Product
 CM30E - Green "Push To Exit"

CM830 - Remote Door Release Switch

Features:

- SPDT momentary version
- 20A @ 125/250 VAC
- Surface mounted
- Ideal for desk mounting in reception area

Stocked Product
 CM830 - Rocker Switch, Black

