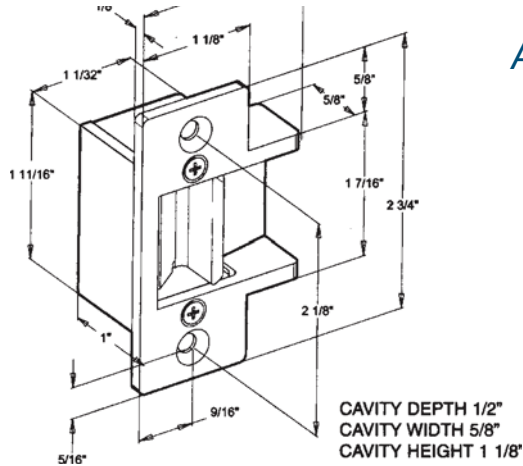


## Trine-Electric Strikes & Accessories

### 3234 - Compact Electric Strike



#### Application:

For use in new or replacement installation in metal frames. Use with cylindrical locksets having up to 5/8" throw, base on 1/8" door gap

#### Specifications:

- Face plate 2-3/4" x 1-1/4"
- Mortise Backset 1"
- Cavity depth 1/2"
- Cavity height 1-1/8"
- Cavity Width 5/8"
- ANSI 2-3/4' standard
- Designed for Timely applications
- 1" backset allows for installation without removal of most dust boxes
- Standard operating voltages 12VDC & 24VDC models intermittent only
- Holding Force 1200 lbs.
- Fail Secure
- All Stainless Steel Mechanism

#### Options

LC : "All in One Voltage" model with range of 12V thru 24V AC & DC, Intermittent or Continuous duty  
W: For Wood Frame Application

**DISCONTINUED**  
Call for availability and special pricing

#### Stocked Product:

Standard: 10B, 26D  
LC Option: US3, 10B, 26D  
W Option: US3, 26D

## Push Buttons



2-1/4" Body Diameter

SRP - Push Button Polished Brass with Black Center



5/8" Body Diameter

45A - Silver Rim with Pearl Center

#### Stocked Product:

SRP Brass/Black  
45A Silver/Pearl