

## Schlage - NDE Locks

### NDE Series - Wireless Lock

#### Standard Features:

Certification	ANSI ANSI/BHMA A156.25-2013, A156.2-2011, Series 4000, Grade 1, UL 294, UL 10C
Latch	1-1/8" x 2-1/4", Square corner faceplate, 1" housing diameter, 1/2" throw
Strike	1-1/4" x 4-7/8", ANSI, Square corner, with DPS magnets, no box
Backset	2-3/4"
Cylinder	Classic C keyway
Door Range	1-5/8" - 2"
Users	Up to 5,000
Audits	Up to 2,000



Sparta



Rhodes

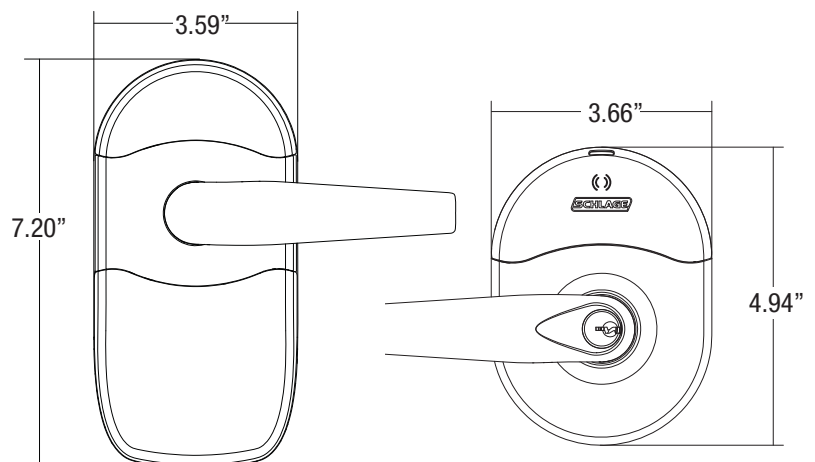


NDE Series wireless locks utilize the standard ND cylindrical door prep

#### Options:

- Available prepped for Removable Core (RC) less core; specify "J"
- Available prepped for Best IC Core (Small Format) less core specify "B"

NDE80PD F86 Storeroom Lock with Vandlgard Lockset is normally secure with outside lever disengaged. Valid credential or key momentarily unlocks door. Valid credential may be used to change to a passage or secured state. Inside lever always allows free egress.



#### Stocked Product

<b>NDE 80P</b>	Rho/Spa	626, 643E
<b>NDE 80J</b>	Rho/Spa	626, 643E
<b>NDE 80B</b>	Rho	626
<b>7410</b>	Proximity Cards	
<b>7610</b>	Proximity Key Fob	