

Norton

7500 Series

Applications

Series 7500 closers are narrow projection door controls: projection is just 2 1/8" from the surface of the door or jamb. They are complete with covers finished to suit the decor of other hardware. They are available with sprayed covers or BHMA plated finishes. Norton Series 7500 closers are non-handed and are packaged with both a mounting shoe and soffit plate. Any Series 7500 can be installed Regular Arm or Parallel Arm. It can also be installed top jamb where frame face and frame reveal permit, it can be installed on either right or left hand doors.

Options

BF: No longer need to specify. All 7500's have new spring for size 1-6

CLP: Built in stop effective at one point at installation from 85°-110°.

Parallel arm application only

DA: Delayed Action Closing

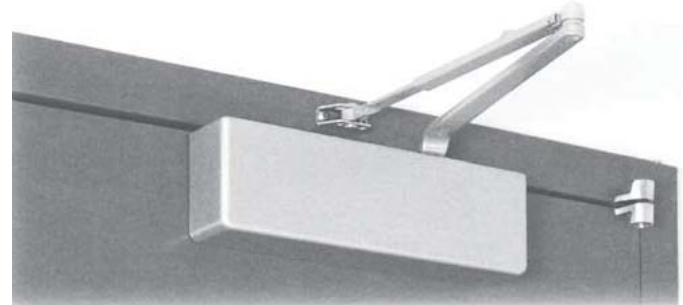
H: Hold open arm function

PR: Parallel rigid arm (heavy duty)

SNB: All closers packed with sex nuts and bolts

U.L. Listing

All Norton Series 7500 Closers with non-hold-open arms are listed by Underwriters Laboratories, Inc. for use on labeled fire doors. Series 7500 are Accessibility Code Closers and are adjustable in a 1 thru 6 size range.



Regular Arm

This is the only pull side application where a double lever arm is used. It is the most power efficient application for a door closer. Sufficient frame, door and/or ceiling clearance must be considered. Since the arm assembly projects directly out from the frame, this application may present an aesthetic issue or be prone to vandalism.

All closers are stocked, packed tri-pack with parallel arm bracket

Stocked Product

Options Stocked: H, Regular, CLP

689 (aluminum)

690 (dark bronze)

8500 Series

Features

This series incorporates independent sweep and latch speed adjustments. In addition, adjustable spring power and adjustable backcheck cushioning are standard features. Adjustable delayed action closing is available as an option in addition to the adjustable backcheck cushioning feature. Norton also offers a Multi-Size Door Closer Series which features adjustable spring power thru a range of sizes. Series 8501 has adjustable power in the Normal Power Range of sizes 1 thru 6. These closers offer low opening resistance for handicapped accessibility but still provide acceptable door control.

Options

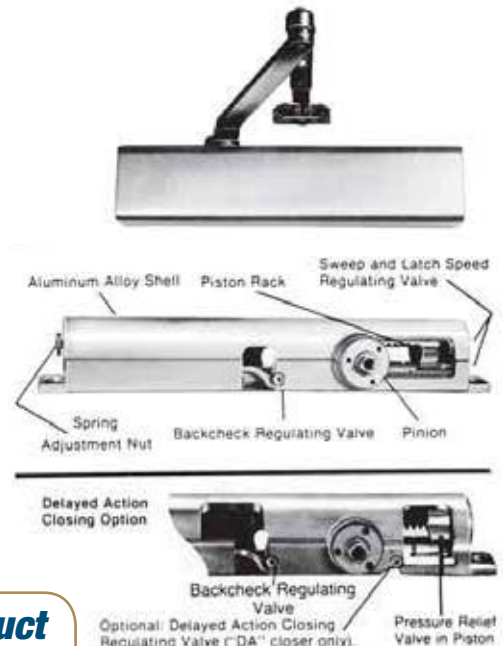
BF: No longer needed. all 8500's have new spring for size 1 thru 6

CLP: Built in stop effective at one point at installation from 85°-110°. Parallel arm application only

DA: Delayed action closing

H: Hold open arm function

SNB: All closers packed with sex nuts and bolts



Stocked Product

Options Stocked: CLP, DA, H

689 (aluminum)

690 (dark bronze)