

## KABA Access Control

### LP1000 - Series Lever

#### Operation:

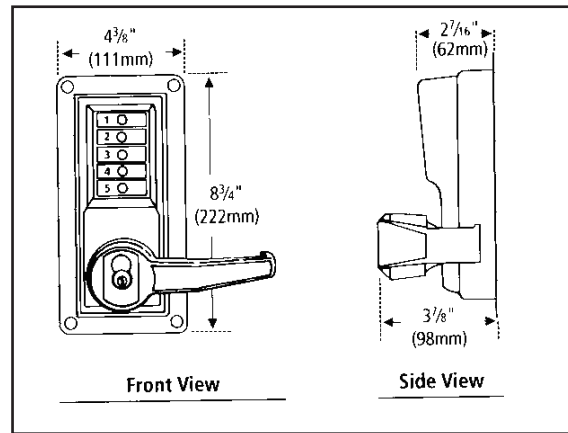
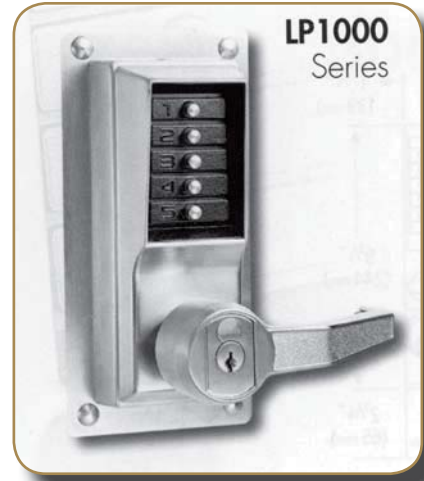
- Designed to operate surface mounted exit devices from the outside. Exit device not supplied. Exterior access is by combination. Egress is by interior exit device and is free at all times

#### Specifications

- ANSI A156.2 grade 1
- Strike not supplied
- Door thickness up to 2-1/4"
- Handed not field reversible
- Exit device compatibility, Von Duprin E0 or E0-F for 22, 88NL, 98, 99, 9857, 9957, Detex Advantex 10, 20, 40 series

#### Optional Features:

- Key override - can be used to override combination and gain access using a key - **supplied less cylinder**
- Key override is prepped for I.C. cylinders only



#### Stocked Product

PART No.	DESCRIPTION	FINISH
LP1020B	Lever with Best IC Override Less Core	26D
LP1020S	Lever with Schlage IC Override Less Core	26D

#### L1000 & LP1000 Series Door Handing:

You must specify the handing of your door! Look at the door in its closed position standing on the outside (exterior push button side)

Note: LP1000 are either LHR or RHR

