

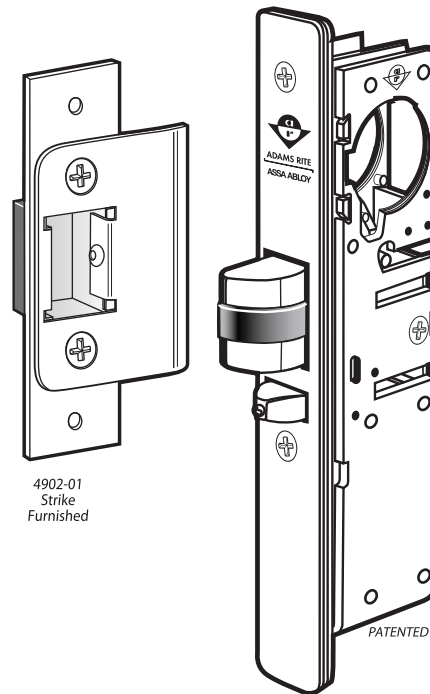
Adams Rite - Store Front Hardware Accessories

4510 - Series Deadlatch Deadbolt for Aluminum Stile Doors

Product Description & Features

- **Cylinder Backset:** 31/32", 1-1/8" or 1-1/2" only
- **Case:** Steel with corrosion-resistant plating. 1" x 5-13/16" x depth. (Depth varies by backset.)
- **Function:** Flexibility of traffic control during and after business hours is offered by 4510 Series Deadlatches. A reverse turn of the key while bolt is held retracted retains the bolt, to allow two-way traffic for hospitals, banks, stores and other buildings which require free entrance at certain times and exit-only at other times. Interchangeable, without stile modification, with any MS1850A or MS1850S deadbolt of same backset and faceplate shape. (They do not, however, provide the same maximum security level as the MS Deadbolt.
- **Latch Bolt:** 1/2" x 1" x 1/2" throw. All metal with hardened steel internal pins. Handing is reversible without special tools.
- **Auxiliary Bolt:** All metal. Deadlocks latch bolt to prevent "loiding" or case-knife entry.
- **Strike:** Standard strike furnished is 4902-01 for flat jamb where door closes flush or nearly flush. Also available: radius strike for opposite stile in paired doors; longer strike (4901) to cover slot strike of MS® lock; long lip strikes for centerhung doors.
- **Operation:** Turn key or operate handle to retract spring-loaded latch bolt. To hold bolt retracted, push it in and secure by reverse turn of key. Uses any standard mortise cylinder with MS®cam.

ANSI/BHMA Type E823, Grade 1



Options

Backset, Faceplate Shape, Finish, Strike and Handing must be specified when ordering.

STANDARD PACKAGE

Individually boxed with strike and machine screws for mounting. Cylinders, paddle or handle available at extra cost. Shipping weight: 1-1/4 lbs. Also available in a 25 unit pack for volume users.

Stocked Product:

Item#	Backset	Handing	Finish
4510-510	31/32"	LH or RHR	628/313
4510-610	1-1/8"	RH or LHR	628/313