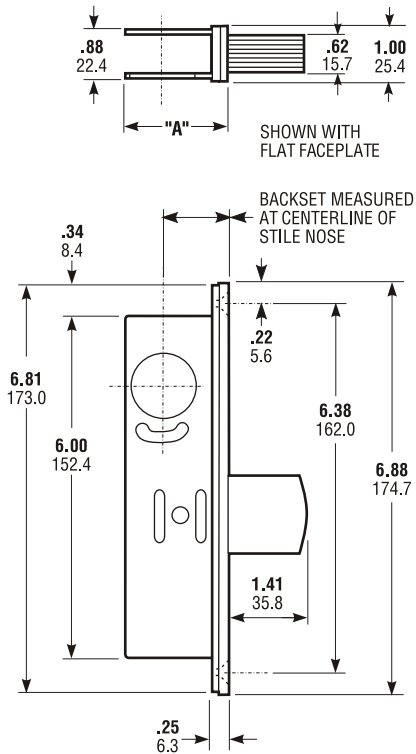
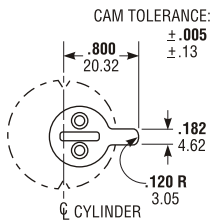
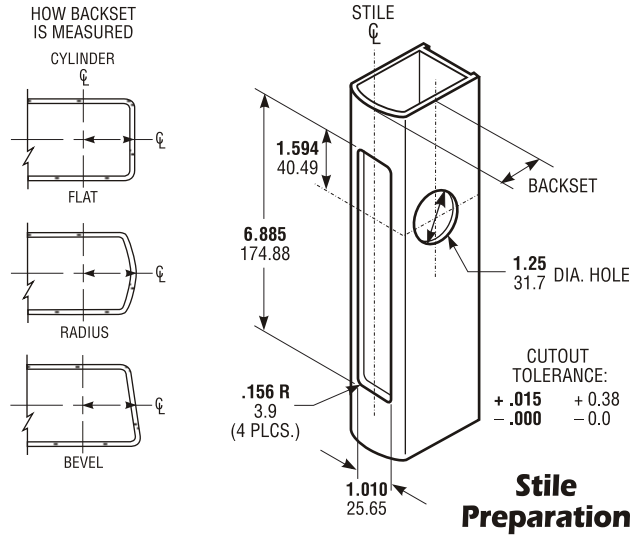
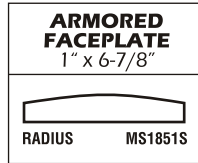


Adams Rite - Store Front Hardware Accessories

INCHES
MILLIMETERS
Nominal, subject to tolerance extremes.

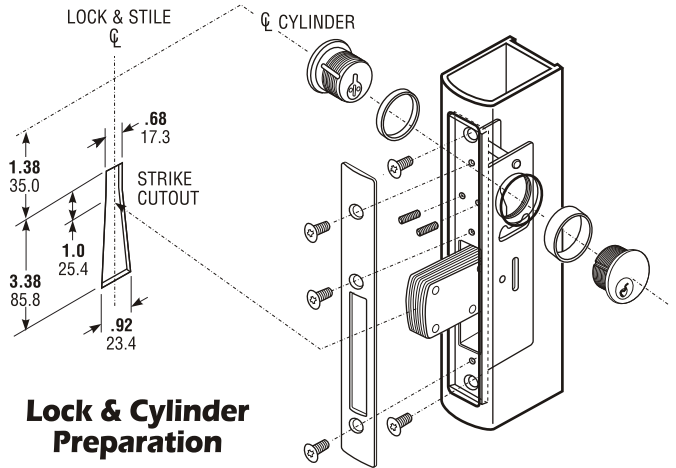


BACKSET	"A"
31/32" 24.6	1.63 41.4
1-1/8" 28.6	1.78 45.2



Cylinder Cam

MS1850S Series locks are operable by any standard 1-5/32" diameter mortise cylinder with special MS® cam dimensioned as shown. Cylinders with MS® cams can be readily obtained from most cylinder manufacturers.



Stocked Product:

Item#	Backset	Finish
1851S210	31/32"	628/313
1851S310	1-1/8"	628/313
1851S-050-250	31/32"	628/313
1851S-050-350	1-1/8"	628/313