

ILCO - Replacement Cylinders

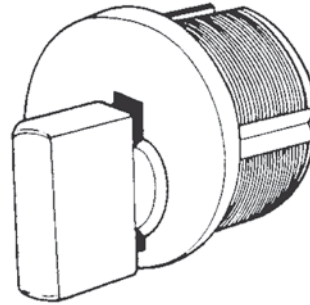
Thumb-turn Mortise Cylinders

Stocked Products

- 7181 1-1/8" Length
- 7201 1-1/4" Length

Stocked Finishes

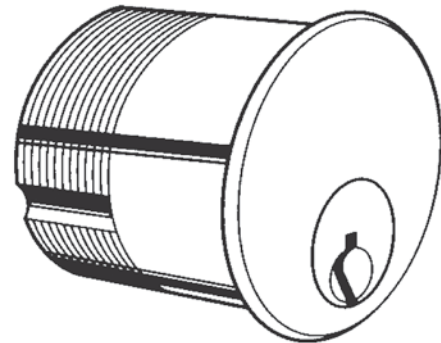
- 10B, 26D
- 26D



Mortise Cylinders

- 7165 1" Mortise Cylinder with AR cam attached
- 7185 1-1/8" Mortise Cylinder with Standard AR cam attached
- 7205 1-1/4" Mortise Cylinder with Standard cam attached

Machined from solid bar brass. This line offers a broad selection of keyways. Threadsize is 1.150" x 32 UNS. All cylinders drilled 6 pin - 5 pin keyed with standard cam



7165 - 1" Mortise Cylinders

Stocked Keyways

KWIKSET
SCHLAGE C
SCHLAGE C-K
WEISER

Stocked Finishes

10B, 26D
10B, 26D
10B, 26D
26D

7185 - 1-1/8" Mortise Cylinders

Stocked Keyways

SCHLAGE C
SCHLAGE E
SCHLAGE C-K
YALE 8
KWIKSET

Stocked Finishes

US3, 10B, 26D
10B, 26D
10B, 26D
26D
US3, 10B, 26D

7205 - 1-1/4" Mortise Cylinders

Stocked Keyways

SCHLAGE C
SCHLAGE C-K
SCHLAGE E
KWIKSET

Stocked Finishes

10B, 26D
10B, 26D
10B, 26D
US3