

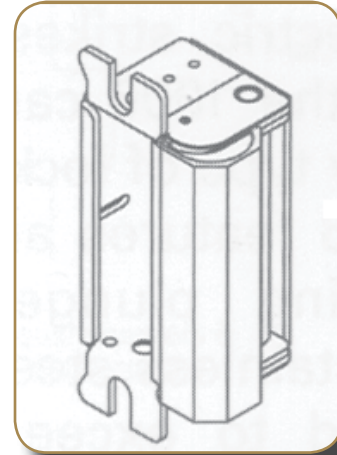
# HES

## 1006 - Series Electric Strike

### Features:

- Innovative dual interlocking plunger
- Stainless steel construction
- Electrical .45 amps @ 12 VDC  
.25 amps @ 24 VDC
- 3000 lb static strength
- Dual voltage, field selectable, 12 or 24 VDC
- Internally mounted solenoid fail secure
- Non handed

### Face Plate Options:



#### AD

For Use with mortise locksets with a normally extended 1" deadbolt without a deadlatch.  
Compatible Locksets: Sargent (7700 & 8100 series), Schlage, Yale (8700)



#### KD

For use with Schlage, Sargent (8100), Yale mortise locks.  
Mortise locksets with deadlatch positioned above the latch bolt.



#### ND

For use with Schlage, Sargent (8100), Yale mortise locks.  
Mortise locks where the deadbolt is used for night latch function only.



#### J

For use with cylindrical locksets up to 3/4" throw and all locksets with center lined belts.  
Compatible with Arrow, Best, Corbin, Falcon, Russwin, Sargent, Schlage, Yale



#### KM

For use with Best, Corbin, Falcon, Sargent (8200).  
Mortise locks with a deadlatch positioned below the latch bolt.



#### NM

For use with Corbin, Falcon, Sargent (8200).  
Mortise locksets with a deadlatch positioned below the latch bolt and where dead bolt is used for night latch function only.



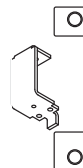
#### J-2

For use with cylindrical locksets with up to a 3/4" throw, in wood frame applications.



#### TD

For use with mortise locks with a normally extended 1" deadbolt and a center-liner.  
For SCH, SGT, YALE



#### HD

For use with: Mortise locksets with a 1" deadbolt without a deadlatch. Strike will not release when deadbolt is extended. Compatible locksets: Sargent (7700 & 8100 series), Yale (8700)

### Stocked Product

Item	Finish
1006 Body	630
1006 Face plate	630
1006 AD	613, 630
1006 J	630
1006 J2	613, 630
1006 KD	630
1006 KM	630
1006 HD	613,630
1006 ND	630
1006 NM	630