

## Adams Rite - Store Front Hardware Accessories

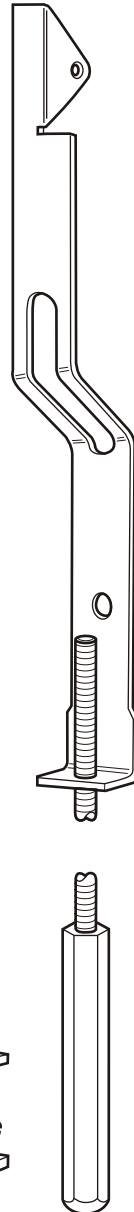
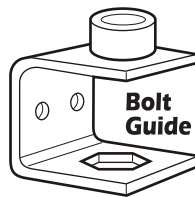
### 4015 - Threshold Bolt for Aluminum Stile Doors

#### Product Description & Features

- **Cylinder Height:** Standard threshold bolt rod is sufficient for cylinder height up to 53-7/16". It is fully threaded and can be cut off for low cylinder heights. Also available to volume users, cut and threaded only for specific cylinder heights.
- **Adjustment:** Exact adjustment of threaded rod to cylinder height is locked in place by hexagonal threshold bolt.
- **Function:** Adding the 4015 bolt to a pivoted bolt MS deadbolt allows Maximum Security for pairs of doors by the turn of a single key. Simultaneously dropping steel hexbolt into the threshold and pivoting the massive MS® bolt into the mating door's stile, the two-point lock secures the entire double door entrance. The 4015 threshold bolt is harnessed to the rear of the pivoted bolt. It may be added to any basic MS1850S or MS1850SN deadbolt.
- **Threshold Bolt:** Hexagonal 3/8" flat to flat. Made of stainless steel.
- **Operation:** 360° turn of key or thumbturn in basic MS lock throws counterbalanced bolt into opposite door and drop-bolt into threshold. Key can be removed only when bolts are in a positively locked or unlocked position.
- **Options:** For "universal" application, specify 4015-18 with fully threaded rod for cut off to any cylinder height below 53".

#### Stocked Product:

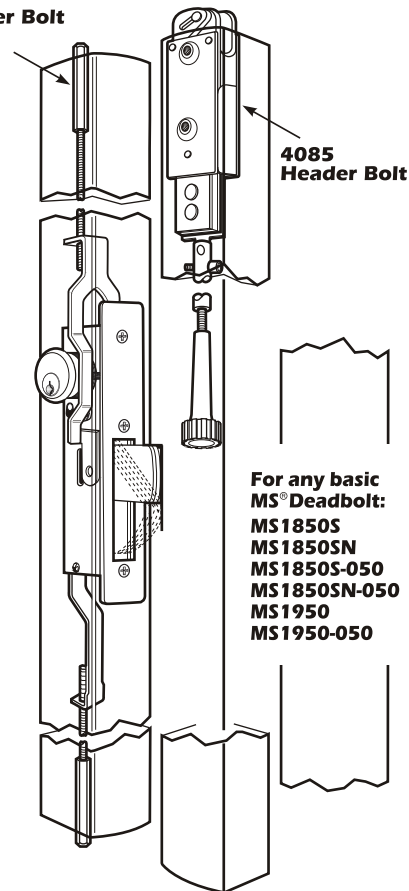
Item#  
4015



ANSI/BHMA Type E8241 (Grade 1)

4016  
Header Bolt

4085  
Header Bolt



For any basic  
MS® Deadbolt:  
MS1850S  
MS1850SN  
MS1850S-050  
MS1850SN-050  
MS1950  
MS1950-050