

Glynn Johnson

450 series Medium Duty Surface Overhead Door Holders/Stops

450 series holders and stops are designed for medium to light duty applications, They are ideal for openings that are subject to normal activity, providing protection for the door, frame and hinges

All models incorporate the popular channel/slide-arm design and offset jamb brackets. The improved design makes it easier to change functions in the field.

Non handed

450 F Friction Hold-Open models provide an alternative holding method ideal for patient room doors, closet doors or similar applications where multiple Hold-Open positions are desired.

450S Stop only is used when Hold-Open function is not required. The Stop-Only function provides the same effective door control without keeping the door held open. May be used on fire doors.



Stocked Product

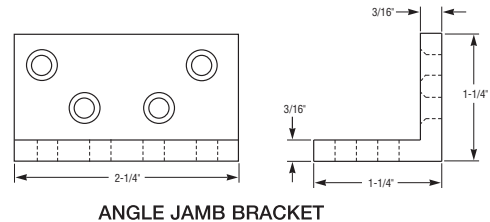
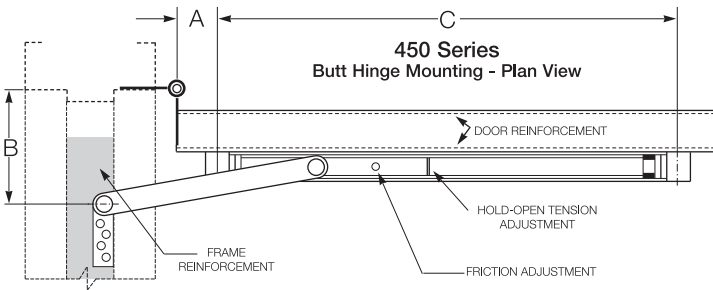
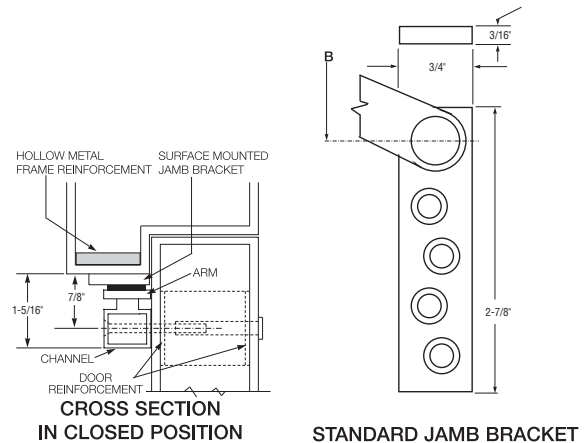
450 S (Stop-Only) and F (Friction Hold Open)

Item #	Size	Finish
452	2	32D
453	3	32D
454	4	32D

Optional Functions: Hold Open (H),

Special Order: Sizes 1, 5, 6

Contact sales department for other finishes



SIZE	BUTTS/OFFSET PIVOTS				CENTER HUNG			
	DOOR OPENING	STOP ONLY	HOLD OPEN	FRICTION	DOOR OPENING	STOP ONLY	HOLD OPEN	FRICTION
1	18"-23"	451S	451H	451F	23-1/16"-27"	451S	451H	451F
2	23-1/16"-27"	452S	452H	452F	27-1/16"-33"	452S	452H	452F
3	27-1/16"-33"	453S	453H	453F	33-1/16"-39"	453S	453H	453F
4	33-1/16"-39"	454S	454H	454F	39-1/16"-45"	454S	454H	454F
5	39-1/16"-45"	455S	455H	455F	45-1/16"-51"	455S	455H	455F

G-J Model	BHMA*	FED. Spec.
451-455 H	C05511	1166
451-455 S	C05541	1166A
451-455 F	C05531	1164

* First numeral (0) designates optional material.

To specify:

Brass/bronze material, change 0 to 1 (i.e. C15511)

Stainless Steel Material, change 0 to 5 (i.e. C55511)

Steel material, change 0 to 8 (i.e. C85511)

Note: This chart illustrates the most common types of hinging and door opening sizes. For unusual door details, contact Glynn-Johnson for availability.

The template information on this page is for reference only and is not intended to serve as an installation template. For complete dimensional information, refer to Glynn-Johnson template book.