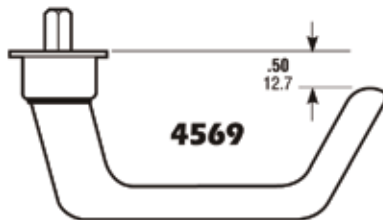
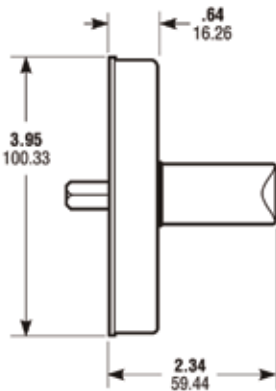
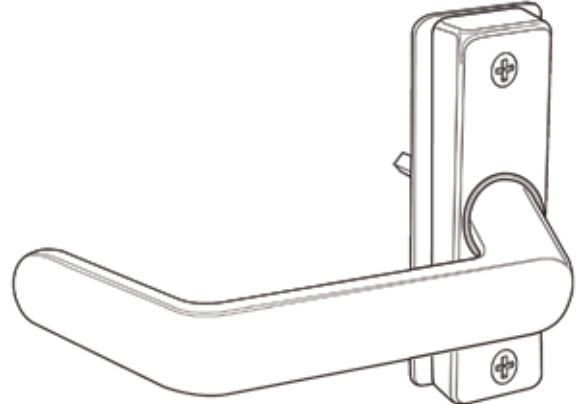


Adams Rite - Store Front Hardware Accessories

4569 - Eurostyle Deadlatch Handle

Product Description & Features

- **Escutcheons:** 1-3/8" x 4", designed to match the narrow stile door's clean lines. Steel mounted base is secured by hidden screws and has two large helical compression springs. (One becomes a "spare" once handling is given.) A 1/4" square heat-treated spindle is part of escutcheon assembly, which interlocks with the cam plug. Finished to match lever.
- **Function:** Designed to operate 4500/4700/4900 Series latches by a natural downward hand movement. These handles incorporate an activator cam disc that mounts on the handle escutcheon and fits solidly into the cylinder hole of the latch. Not intended for use as a door pull.
- **Cam Plugs:** Secured in latch body by cylinder setscrew, plug is also rigidly tied to handle escutcheon by hardened steel pins. Handing can be reversed by removing a spring clip, "flopping" the cam and replacing the clip.
- **Levers:** Lever of cast aluminum, in choice of 130 Satin Aluminum or 121 Dark "Bronze". Modern European styling offers a generous hand grip with shank offset away from the narrow stile jamb for hand safety. 4569 has return end to meet anti-snag code requirements.



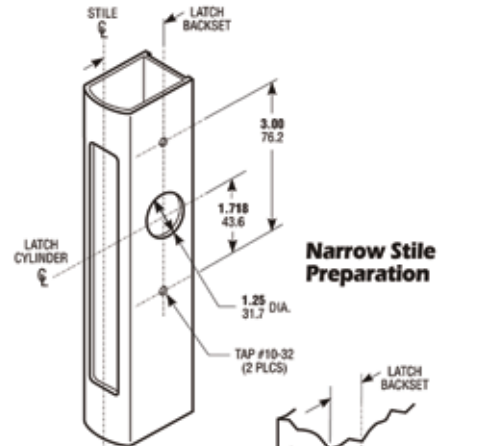
REVERSIBLE 4580
Cam Disc INCLUDED
(REQUIRED TO OPERATE
4500/4700/4900
SERIES LATCHES)

Stocked in Sacramento only

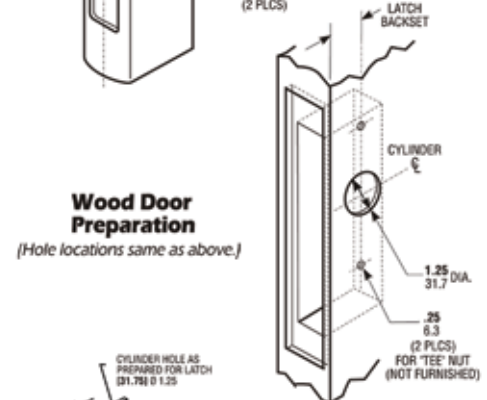
Stocked Product:

Item #	Handing	Door Thickness	Finish
4569-501-130	LH	1-3/4" - 2"	Satin Aluminum
4569-601-130	RH	1-3/4" - 2"	Satin Aluminum
4569-501-121	LH	1-3/4" - 2"	Bronze
4569-601-121	RH	1-3/4" - 2"	Bronze

- Pre-handing can be specified LH or RH although re-handing in the field is easily accomplished. Standard handles are for 1-3/4" thick doors.
- Packed individually with cam plug handed LH or RH as specified.
- Two 10-32 mounting screws furnished.

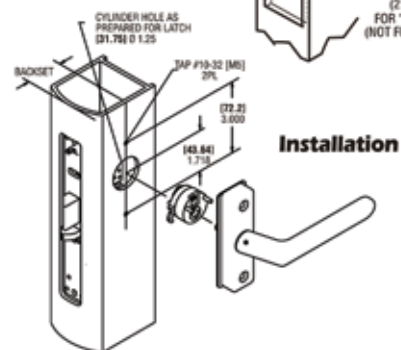


Narrow Stile Preparation



Wood Door Preparation

(Hole locations same as above.)



Installation