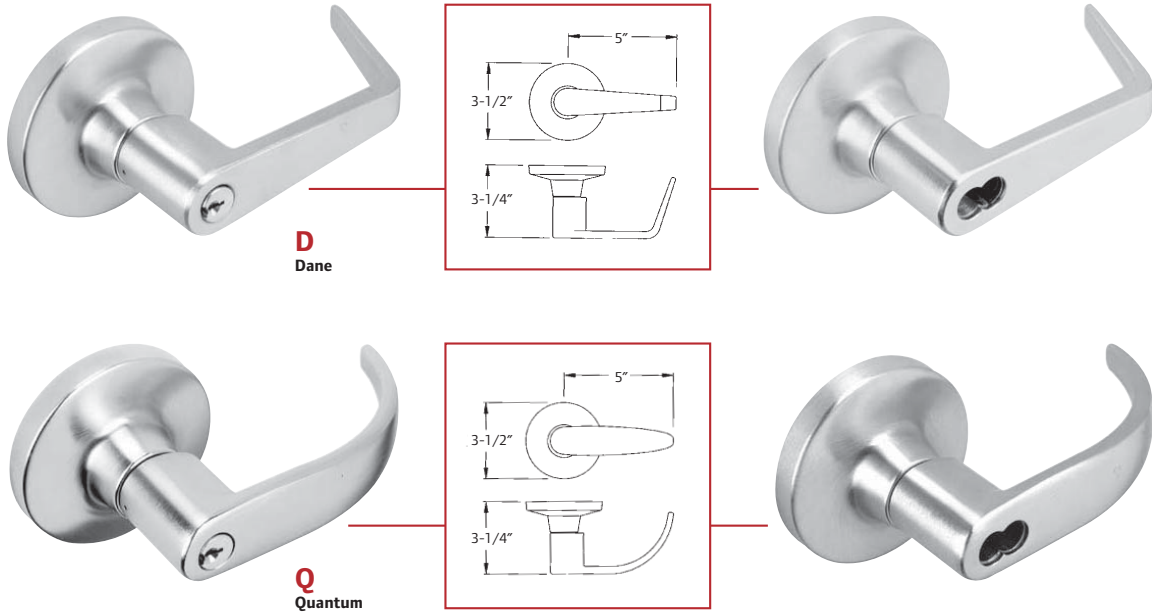


Falcon - Heavy Duty Levers

T - Series

DESIGNS



FUNCTIONS

ANSI

T101		<p>Passage/Closet Latchset Latch bolt by levers at all times.</p>	F75-1
T301		<p>Privacy Lock Latch bolt by levers. Outside lever locked by push button in inside lever. Rotating inside lever or closing door releases push button. Emergency release in outside lever unlocks door.</p>	F76-1
T511		<p>Entry/Office Lock Turn/push button locking. Pushing and turning button locks outside lever requiring use of key until button is manually unlocked. Push button locking. Pushing button locks outside lever until unlocked by key or by rotating inside lever. Inside lever always free. Deadlocking latch bolt.</p>	F109-1
T581		<p>Storeroom Lock Deadlocking latch bolt by lever inside or key outside. Outside lever is inoperable. Inside lever always free.</p>	F86-1