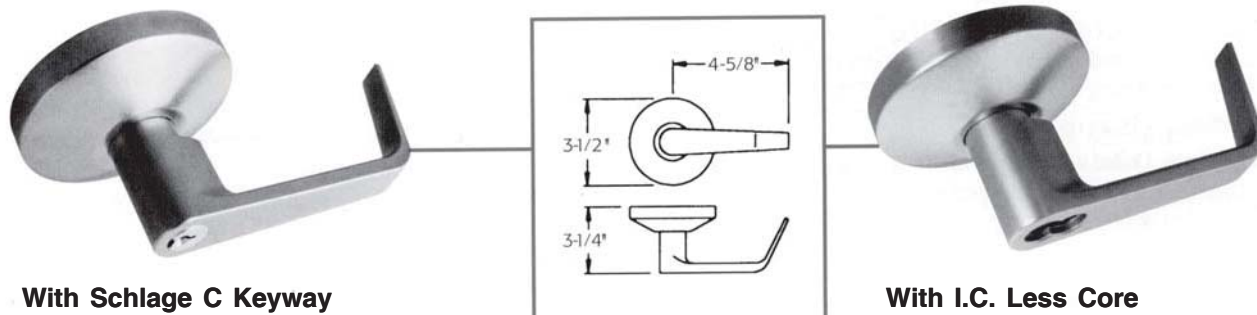


Falcon

B Series - Dane Design



With Schlage C Keyway

With I.C. Less Core

Features:

- **Door Thickness** 1-3/8" to 2" standard.
- **Backset** 2-3/4" BS standard, available 2-3/8" BS.
- **Specifications** Trim has heavy duty springs for lever return.
Trim is through-bolted with screws coated with thread sealant to provide strength & resistance to loosening.
- **Keyways** Available Schlage C or I.C. less core.
- **Trim** Roses are 3-1/2" diameter
- **Strike** 4-7/8" x 1-1/4" ANSI strike standard
- **ANSI / BHMA** A156.2, series 4000 grade 2
- **UL** 1-1/2 hour B label

FUNCTIONS

ANSI

B101		<p>Passage/Closet Latchset Latch bolt by levers at all times.</p>	F75-2
B301		<p>Privacy Lock Latch bolt by levers. Outside lever locked by push button in inside lever. Rotating inside lever or closing door releases push button. Emergency release in outside lever unlocks door.</p>	F76-2
B511		<p>Entry/Office Lock Turn/push button locking. Pushing and turning button locks outside lever requiring use of key until button is manually unlocked. Push button locking. Pushing button locks outside lever until unlocked by key or by rotating inside lever. Inside lever always free. Deadlocking latch bolt.</p>	F109-2
B581		<p>Storeroom Lock Deadlocking latch bolt by lever inside or key outside. Outside lever is rigid. Inside lever is always free.</p>	F86-2

Options

- 2 3/8" Backset Specify A57420 (SL), A57620 (PL), A57420D (DL)
- 5065 "T" Strike

Stocked Product

- Finish 626
- B101 Schlage C Keyway
- B301 Schlage C Keyway
- B511 Schlage C Keyway or Best prep I. C. core less core
- B581 Schlage C Keyway or Best prep I. C. core less core